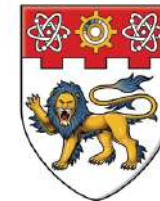




Language  
Technologies  
Institute



Carnegie  
Mellon  
University



NANYANG  
TECHNOLOGICAL  
UNIVERSITY

# Multi-attention Recurrent Network for Human Communication Comprehension

Amir Zadeh, Paul Pu Liang, Soujanya Poria,  
Prateek Vij, Erik Cambria, Louis-Philippe Morency

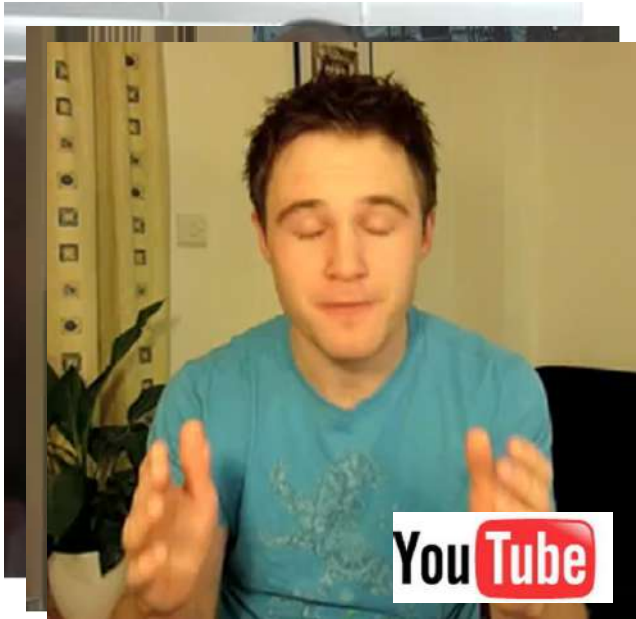
Presenter: Paul Pu Liang



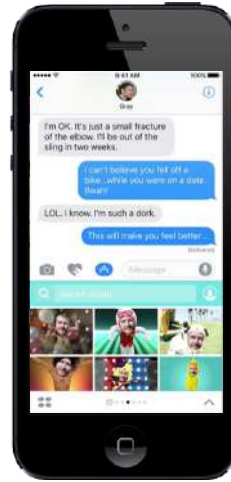
# Progress of Artificial Intelligence

---

## Multimedia Content



## Intelligent Personal Assistants



## Robots and Virtual Agents



# Multimodal Communicative Behaviors

## Language

- **Lexicon**
  - Words
- **Syntax**
  - Part-of-speech
  - Dependencies
- **Pragmatics**
  - Discourse acts

## Acoustic

- **Prosody**
  - Intonation
  - Voice quality
- **Vocal expressions**
  - Laughter, moans

## Visual

- **Gestures**
  - Head gestures
  - Eye gestures
  - Arm gestures
- **Body language**
  - Body posture
  - Proxemics
- **Eye contact**
  - Head gaze
  - Eye gaze
- **Facial expressions**
  - FACS action units
  - Smile, frowning



## Sentiment

- Positive
- Negative

## Emotion

- Anger
- Disgust
- Fear
- Happiness
- Sadness
- Surprise

## Personality

- Confidence
- Persuasion
- Passion



# Challenge 1: Intra-modal dynamics

---

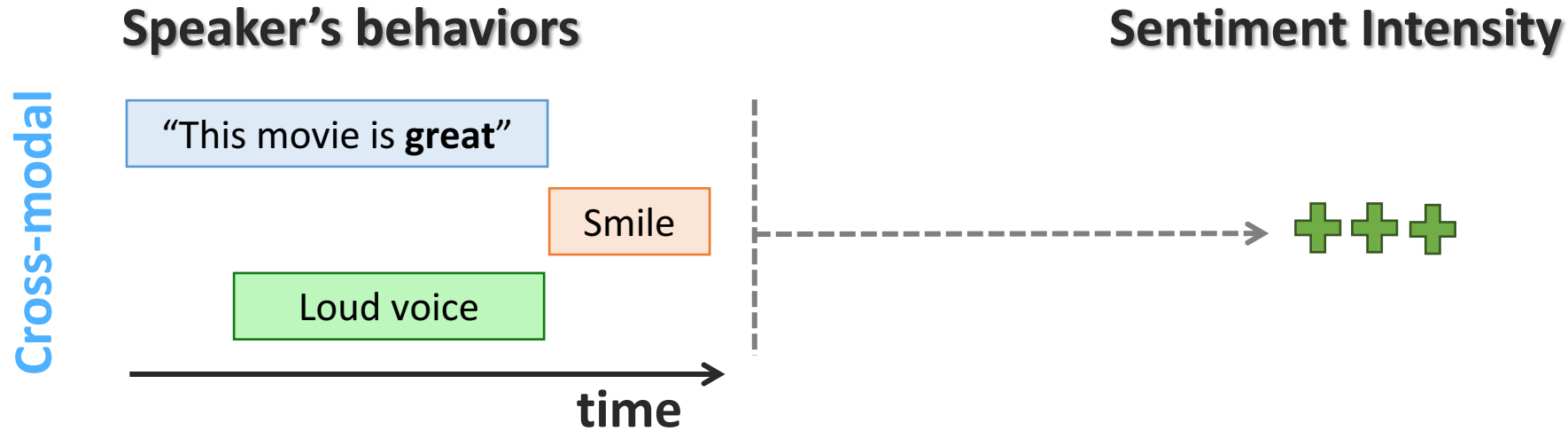


# Challenge 1: Intra-modal dynamics



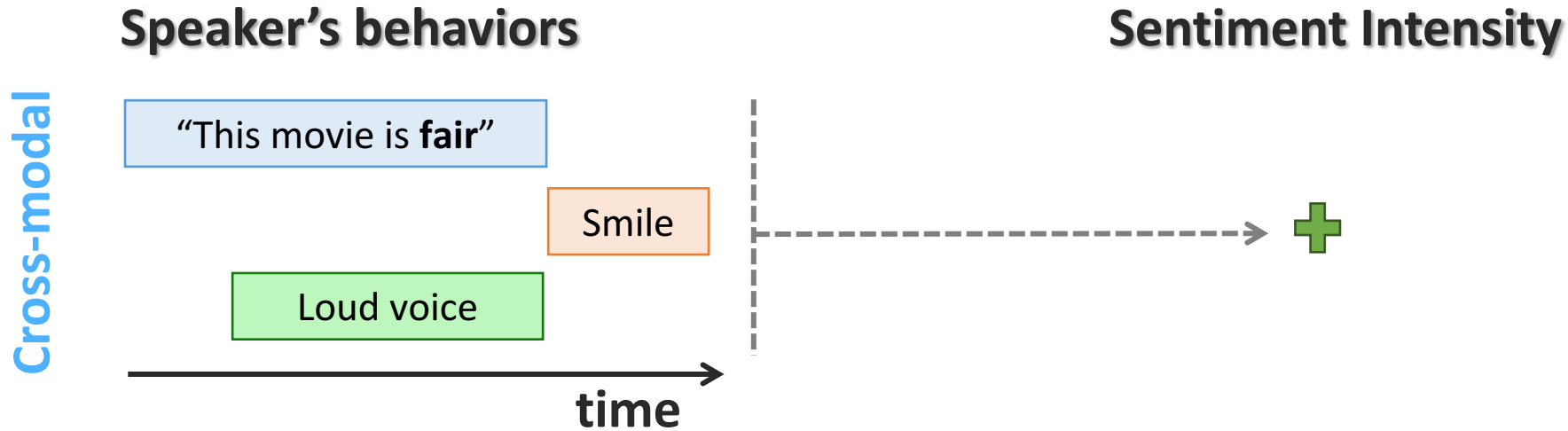
# Challenge 2: Cross-modal Dynamics

## a) Multiple co-occurring interactions



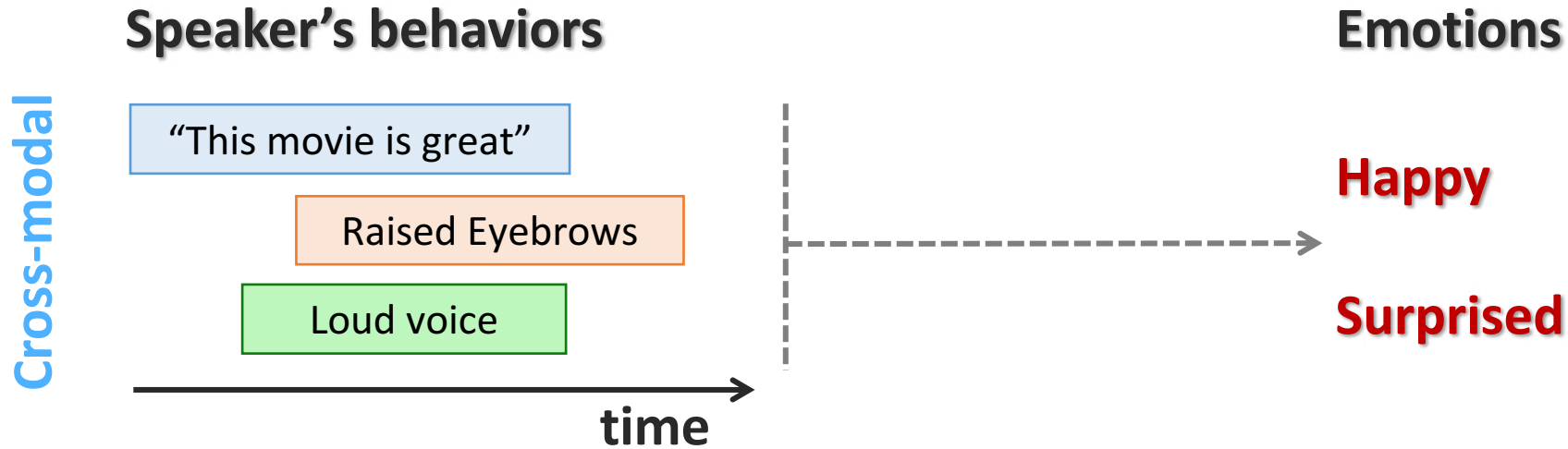
# Challenge 2: Cross-modal Dynamics

- a) Multiple co-occurring interactions
- b) Different weighted combinations



# Challenge 2: Cross-modal Dynamics

- a) Multiple co-occurring interactions
- b) Different weighted combinations
- c) Multiple prediction targets



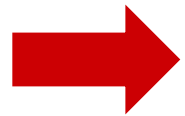


# Multi-attention Recurrent Network (MARN)

---

1

**Modeling intra-modal dynamics**



Set of Long-short Term Memories



# Multi-attention Recurrent Network (MARN)

---

1

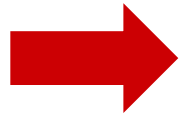
**Modeling intra-modal dynamics**



Set of Long-short Term Memories

2

**Modeling cross-modal dynamics**



Set of Long-short Term **Hybrid** Memories + Single-attention Block

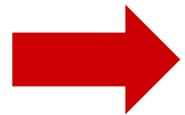


# Multi-attention Recurrent Network (MARN)

---

1

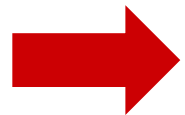
**Modeling intra-modal dynamics**



Set of Long-short Term Memories

2

**Modeling cross-modal dynamics**



Set of Long-short Term **Hybrid** Memories + Single-attention Block

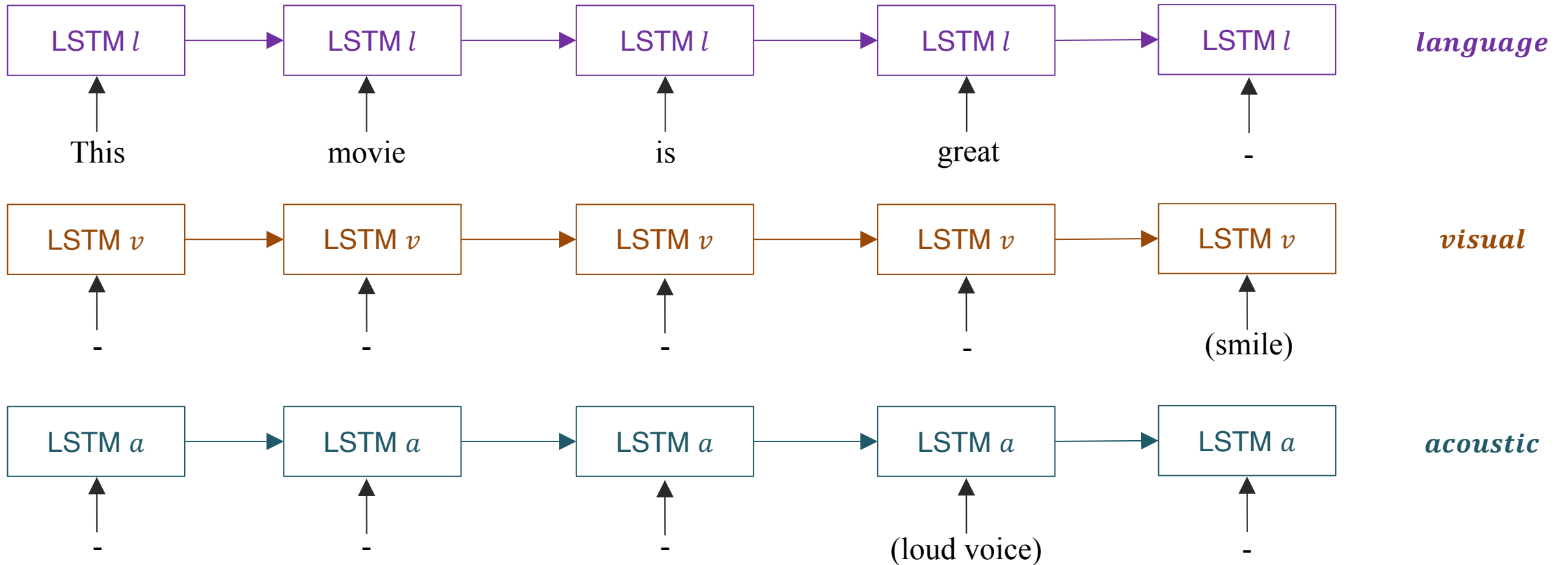
**Modeling multiple cross-modal dynamics**



Set of Long-short Term **Hybrid** Memories + **Multi-attention** Block



# Challenge 1: Intra-modal Dynamics



## Challenge 2: Cross-modal Dynamics

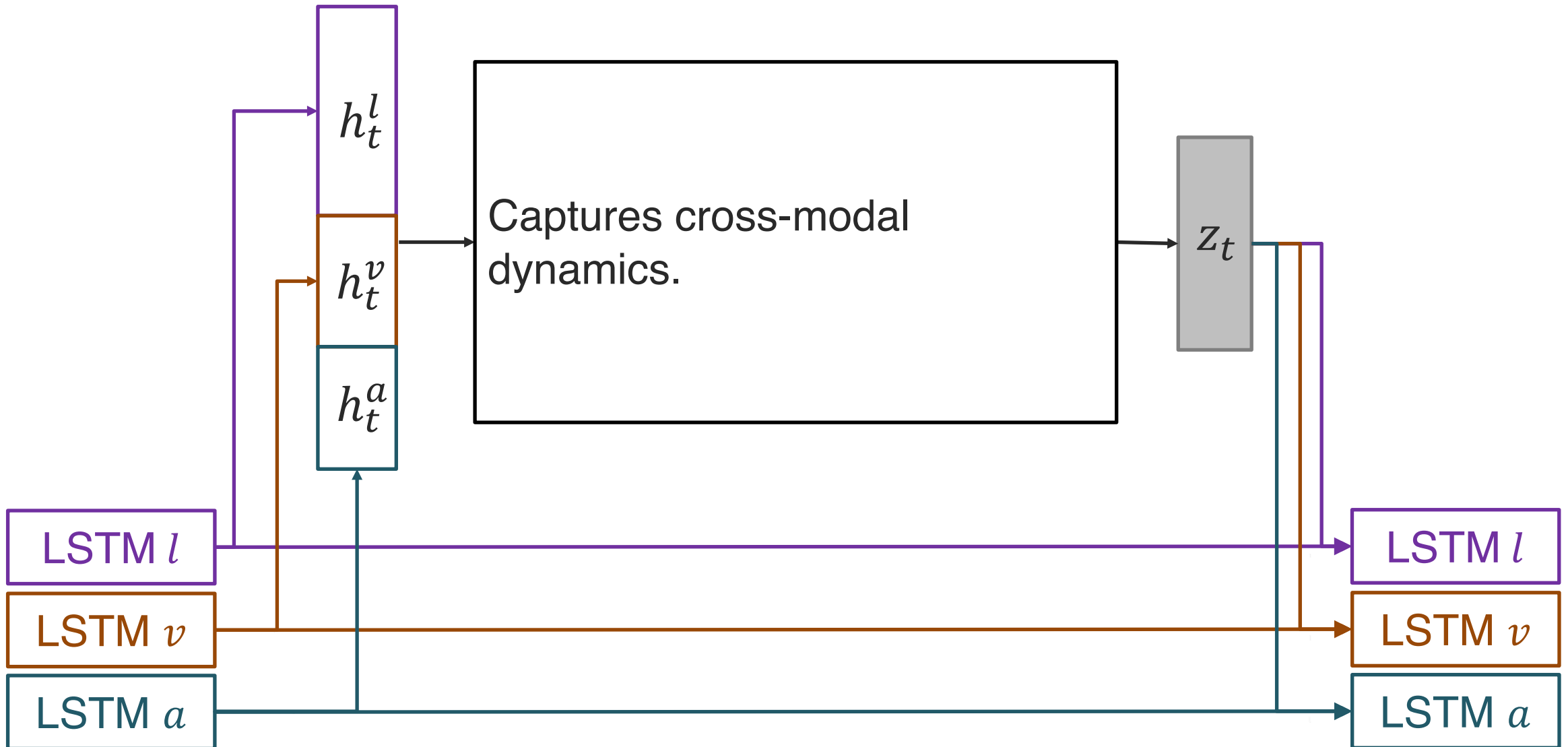
---

- How do we capture cross-modal dynamics continuously across time?



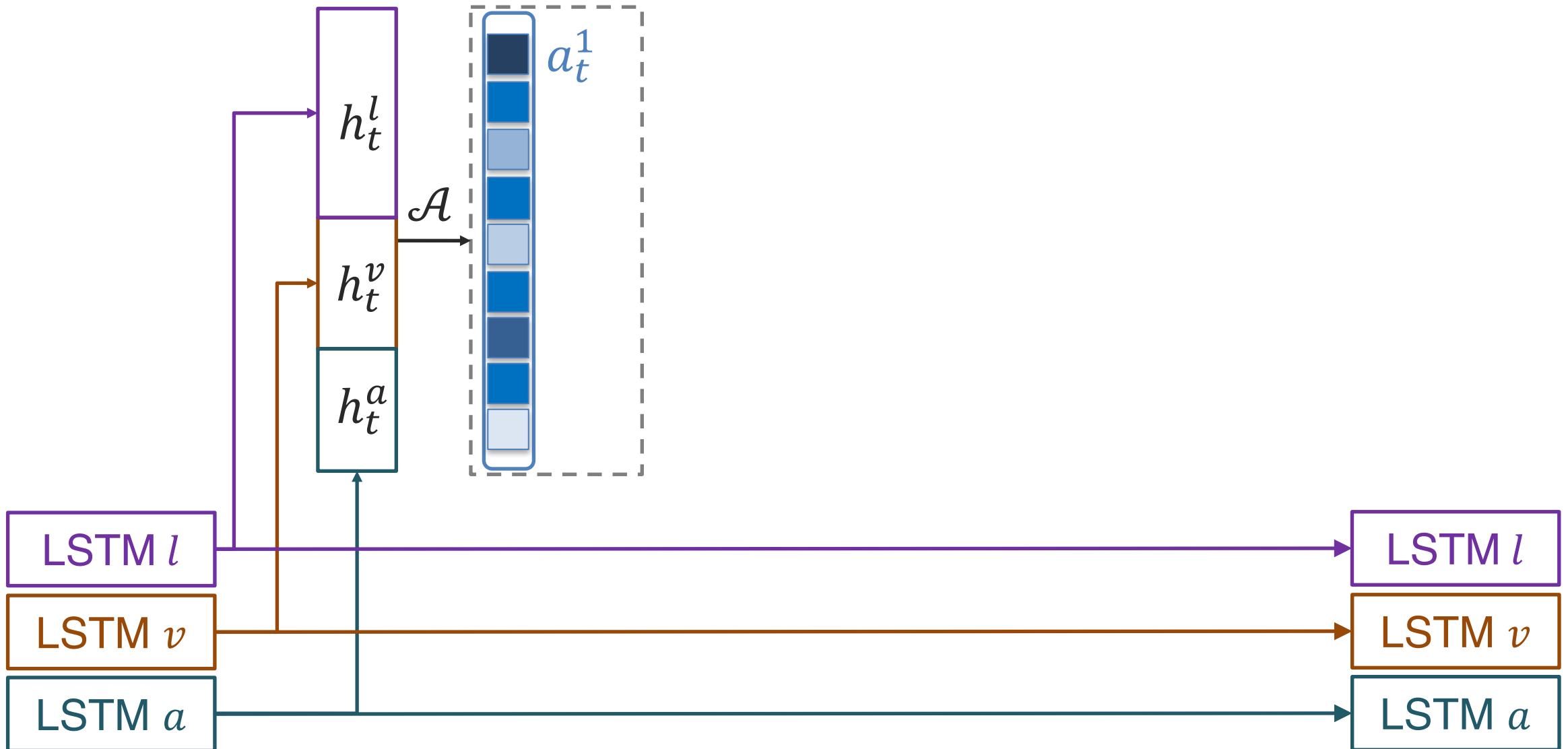
# Challenge 2: Single-attention Block

---



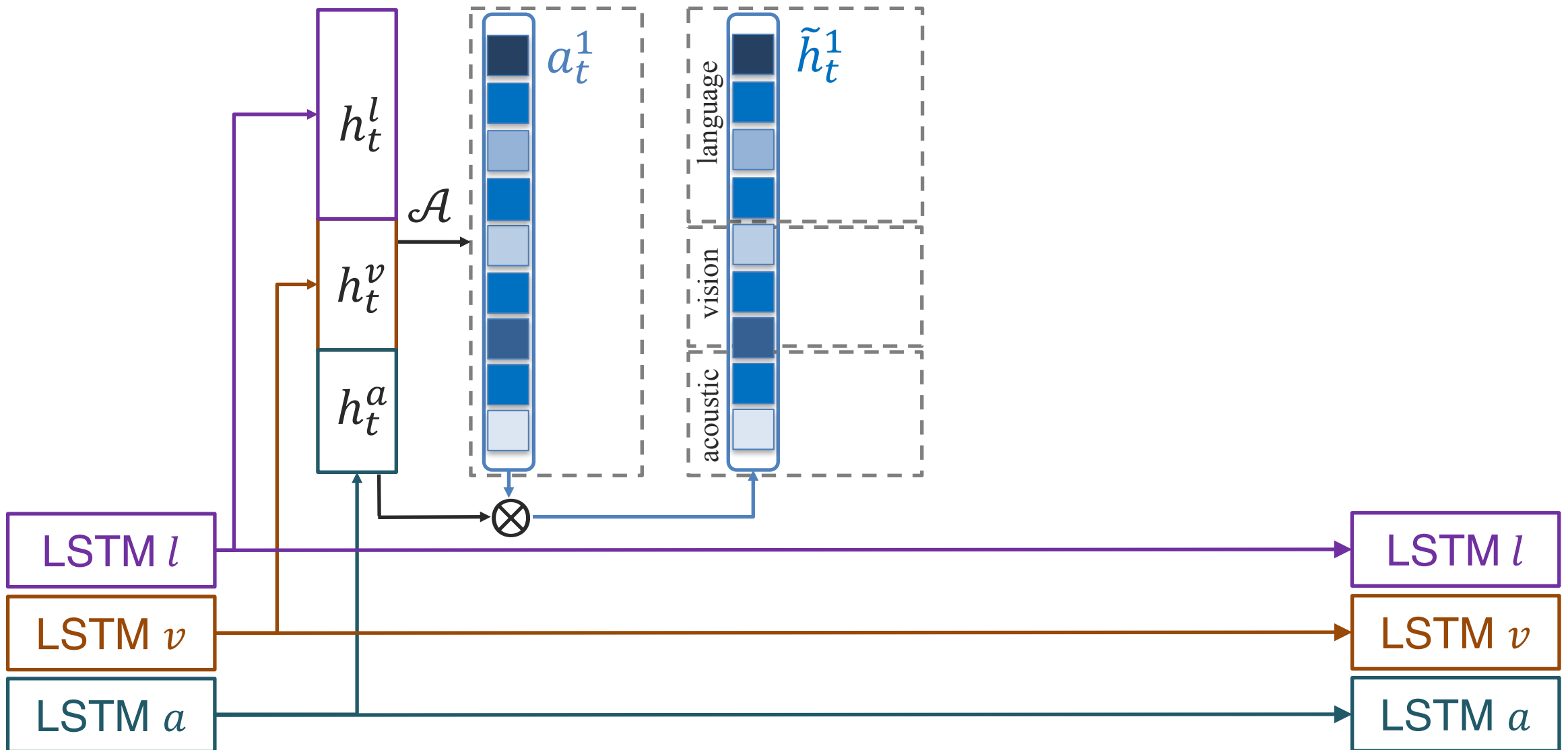
# Challenge 2: Single-attention Block

---



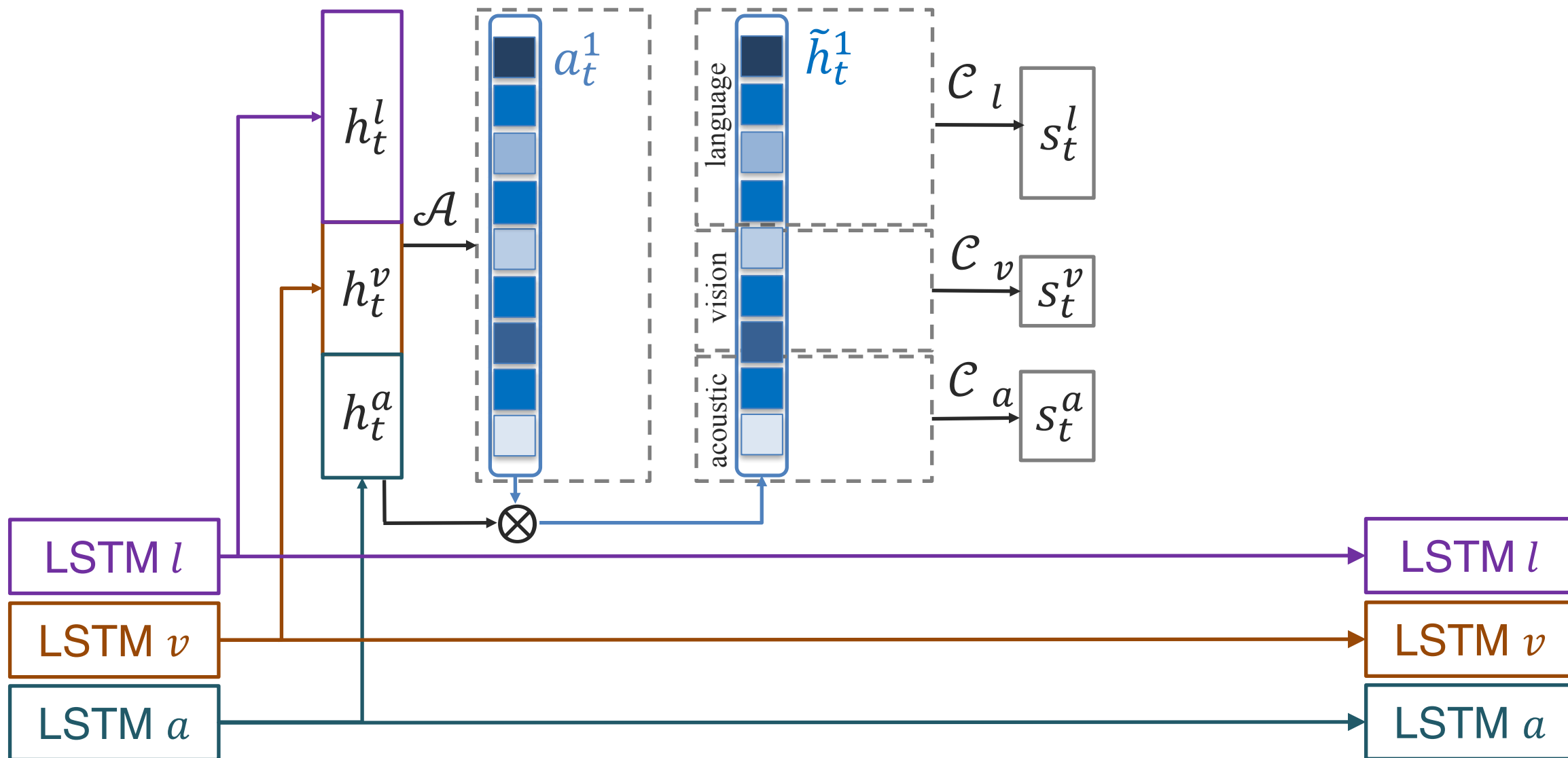
# Challenge 2: Single-attention Block

---

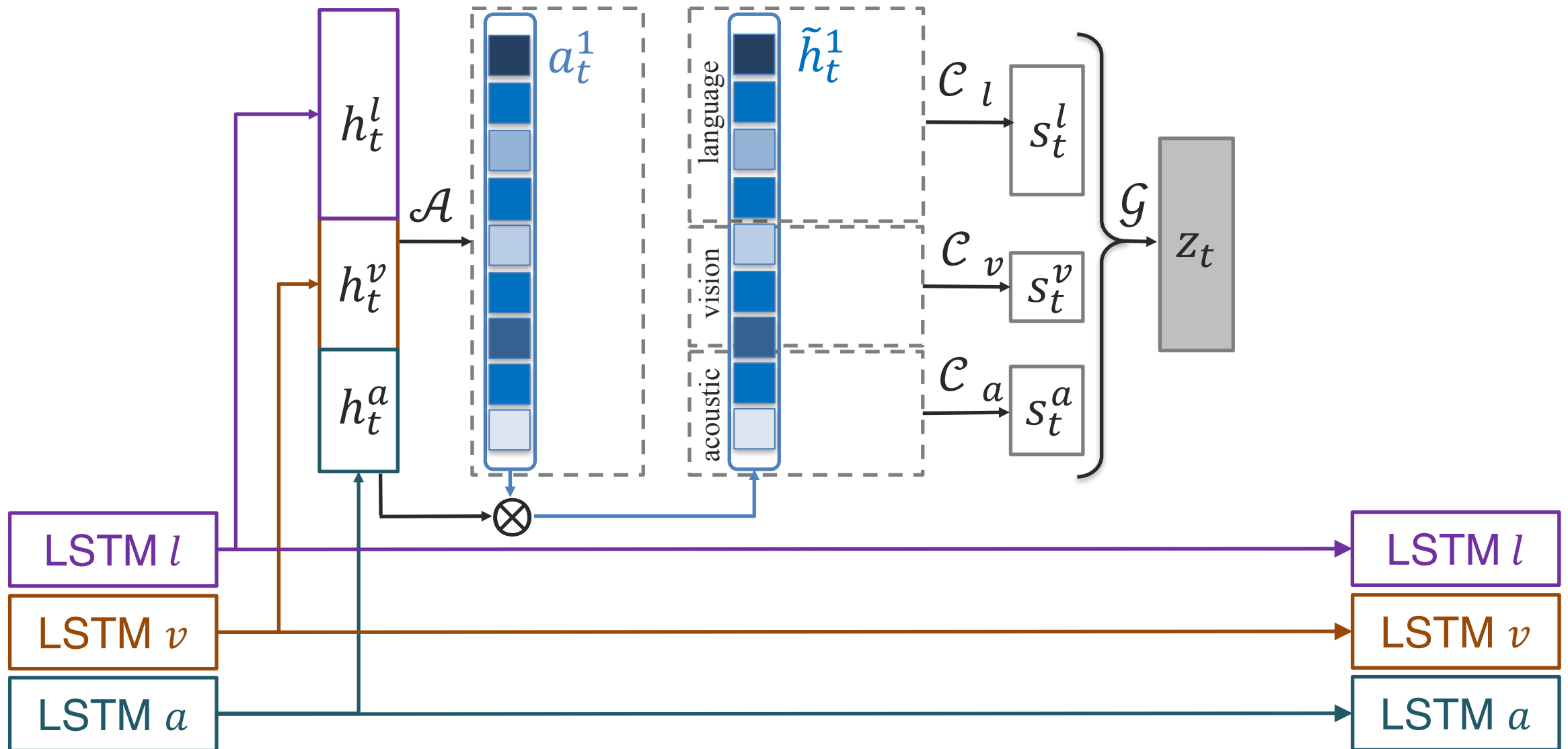




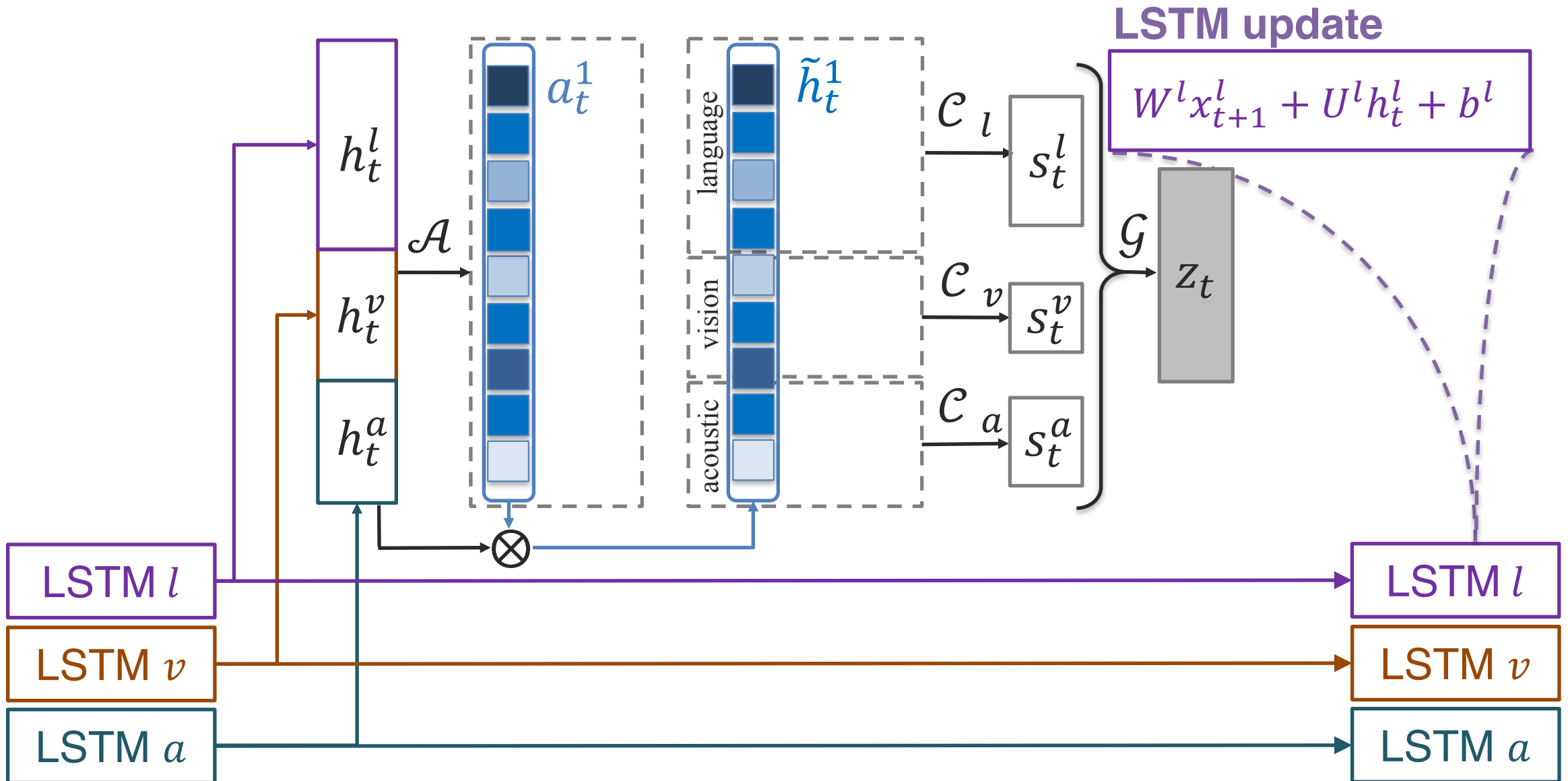
## Challenge 2: Single-attention Block



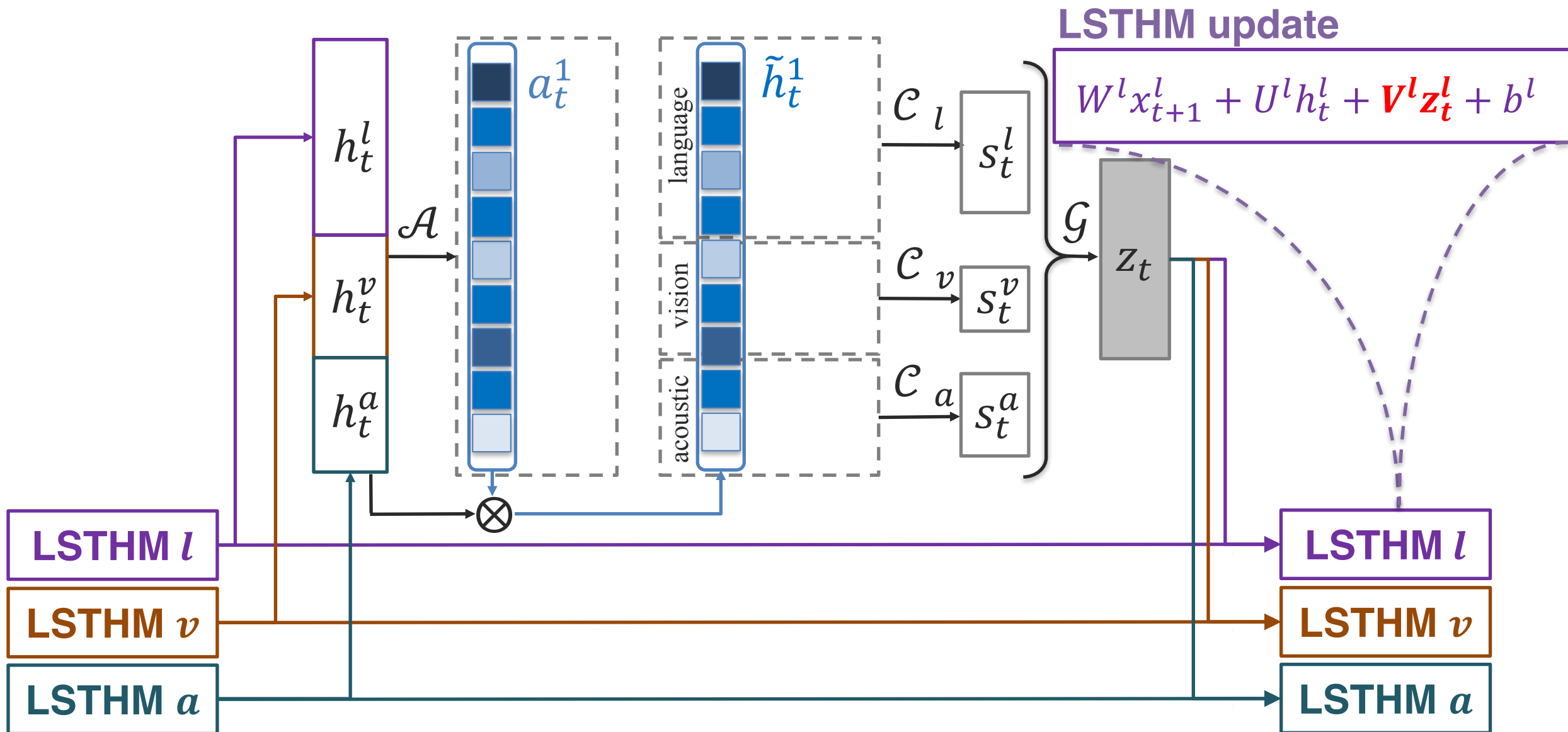
## Challenge 2: Single-attention Block



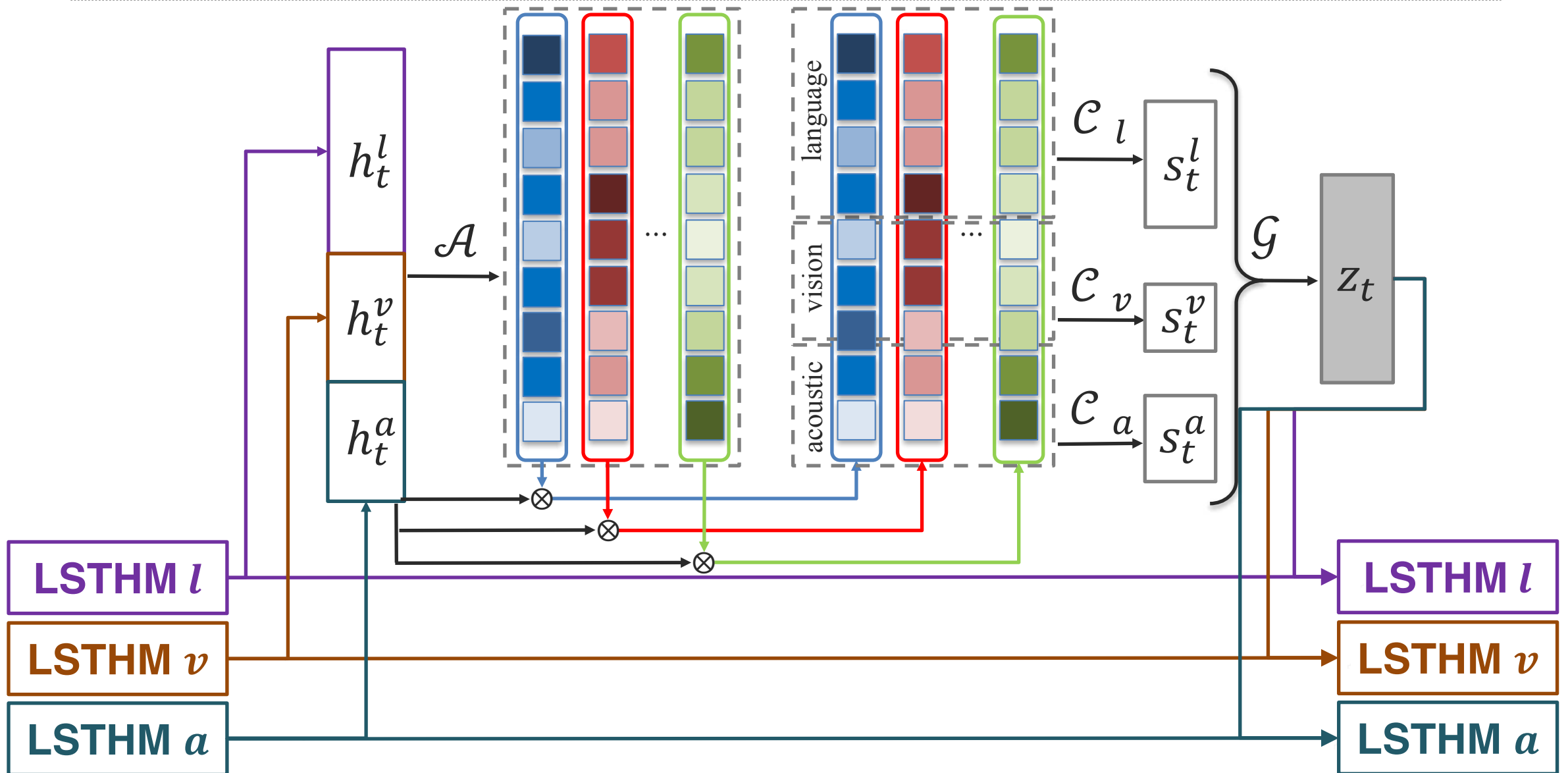
# Challenge 2: Single-attention Block



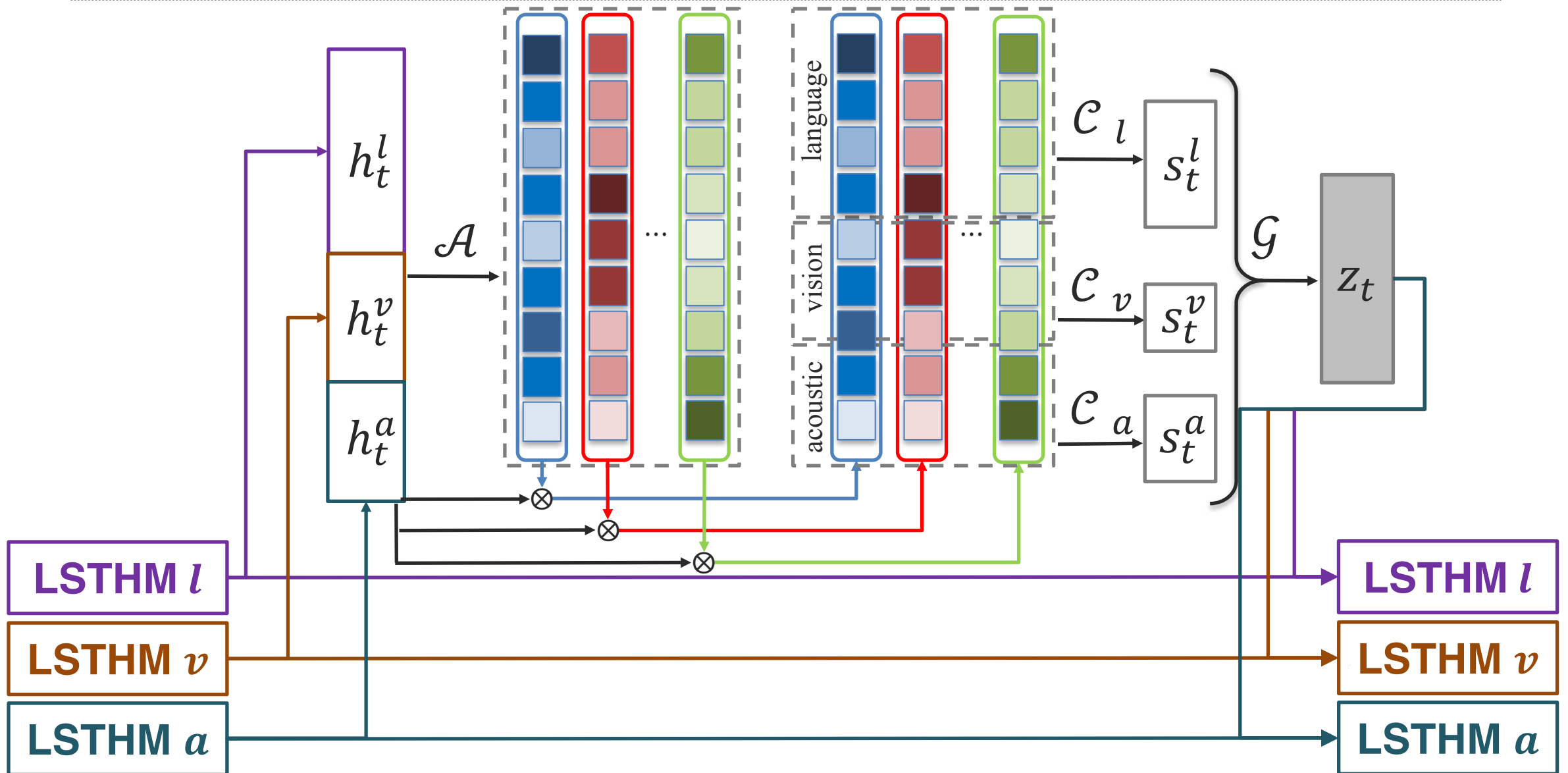
# Challenge 2: Long-short Term Hybrid Memory



# Challenge 2: Multi-attention Block



# Multi-attention Recurrent Network (MARN)



# Experiments



## Language

- Glove word embeddings

## Visual

- Facet features
  - FACS action units
  - Emotions

## Acoustic

- COVAREP features
  - MFCCs
  - Pitch tracking

## Alignment

- Word level
- P2FA



## Sentiment

- Positive
- Negative

## Emotion

- Anger
- Disgust
- Fear
- Happiness
- Sadness
- Surprise

## Personality

- Confidence
- Persuasion
- Passion



# Baseline Models

---

## 1. Non-temporal Models

- SVM-MD, RF

## 2. Early Fusion

- HMM, EF-LSTM, EF-HCRF, C-MKL, SAL-CNN

## 3. Late Fusion

- DF, TFN, BC-LSTM

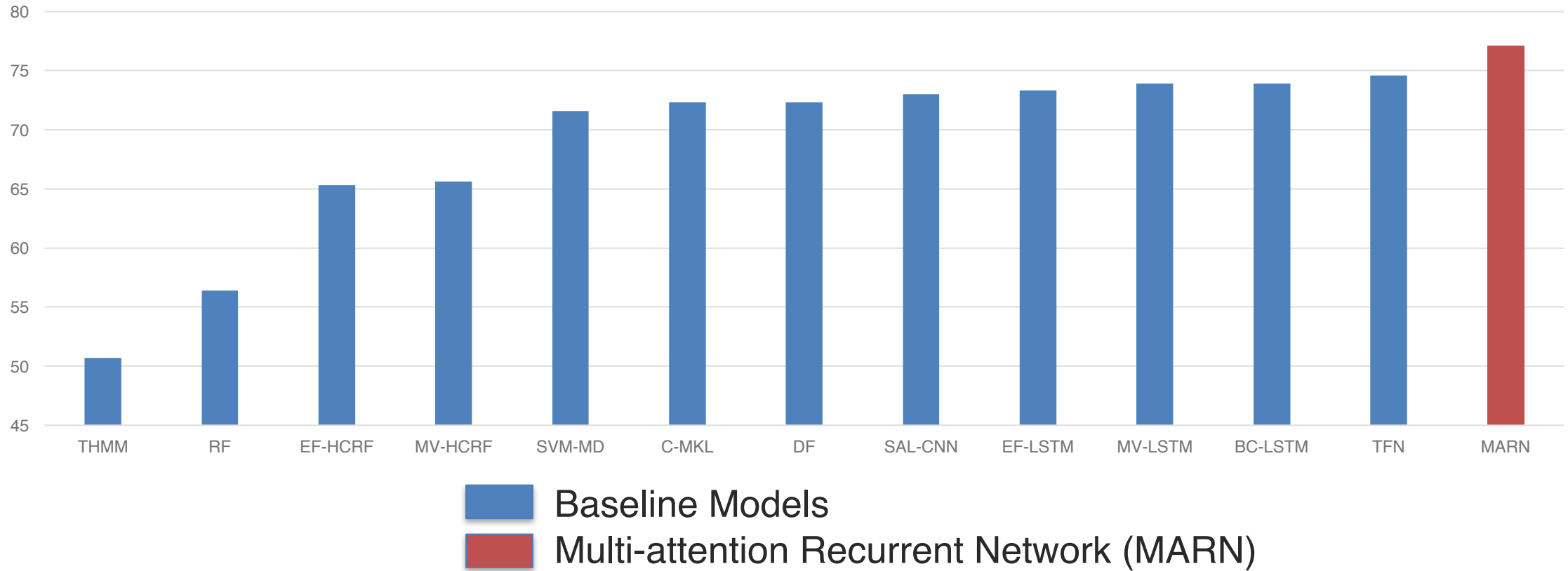
## 4. Multi-view Learning

- MV-HMMs, MV-HCRFs, MV-LSTM



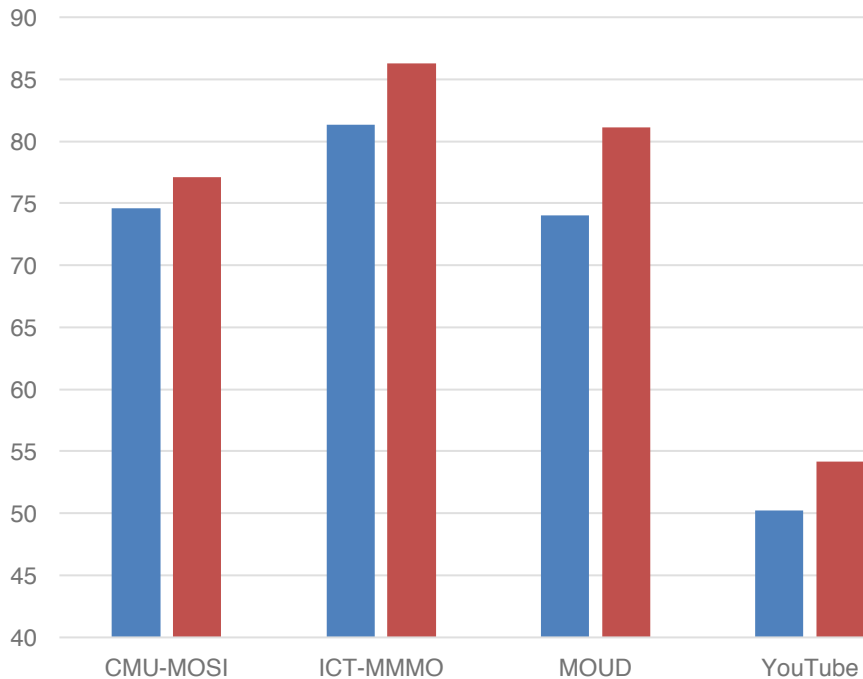
# State-of-the-art Results

## CMU-MOSI Sentiment Analysis

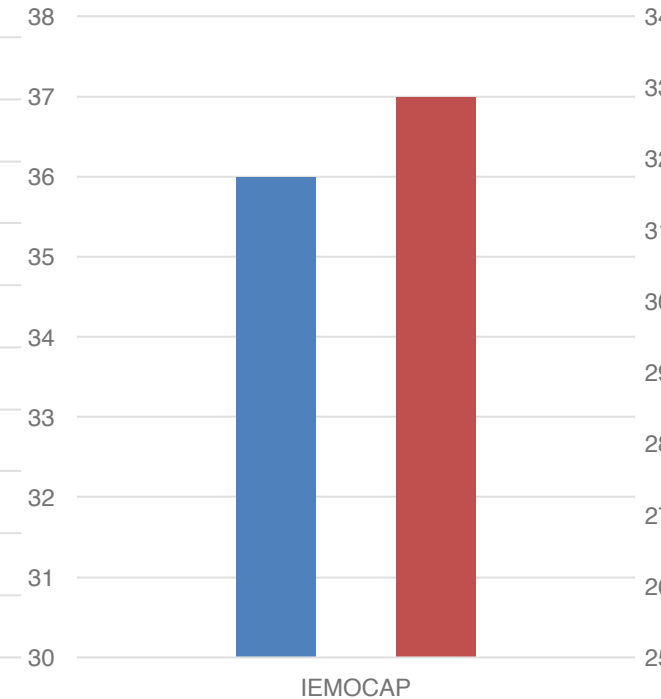


# State-of-the-art Results

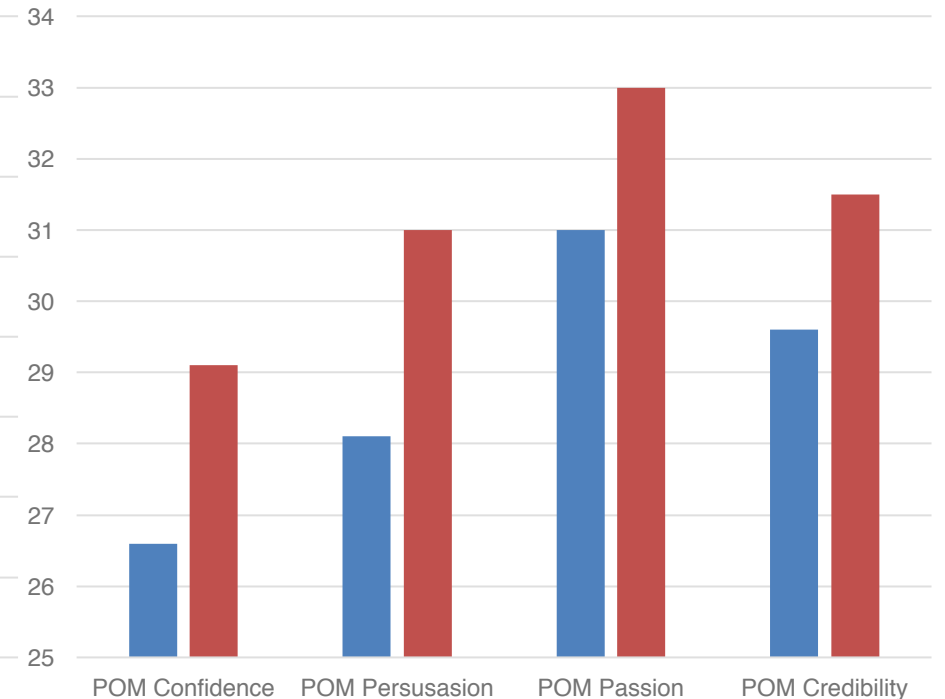
## Sentiment Analysis




## Emotion Recognition



## Personality Trait Prediction



 State-of-the-art Baseline  
 Multi-attention Recurrent Network (MARN)

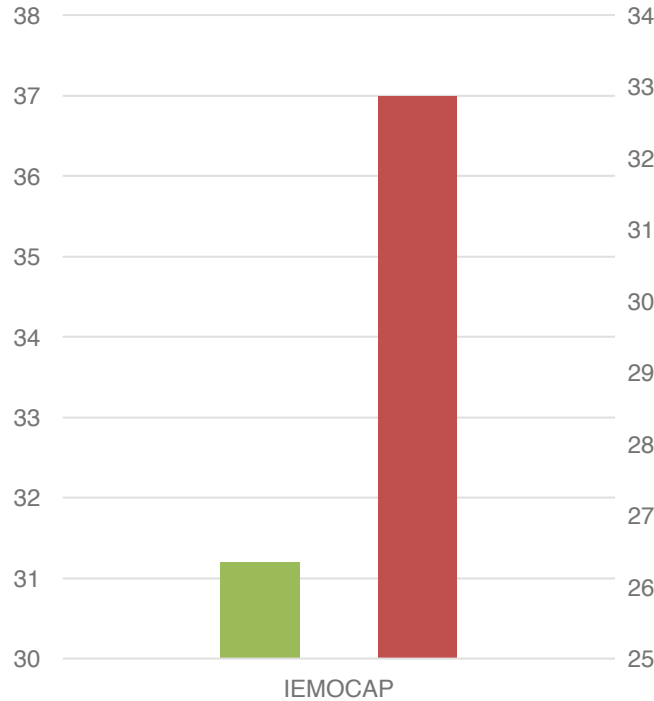


# Multi-attention Block is Important

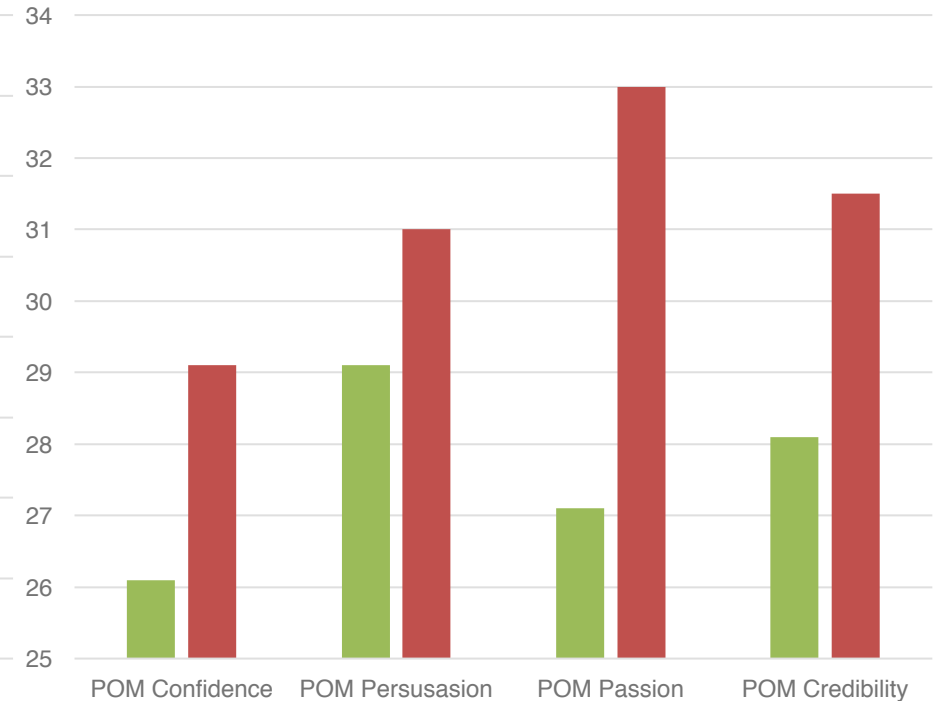
## Sentiment Analysis



## Emotion Recognition



## Personality Trait Prediction



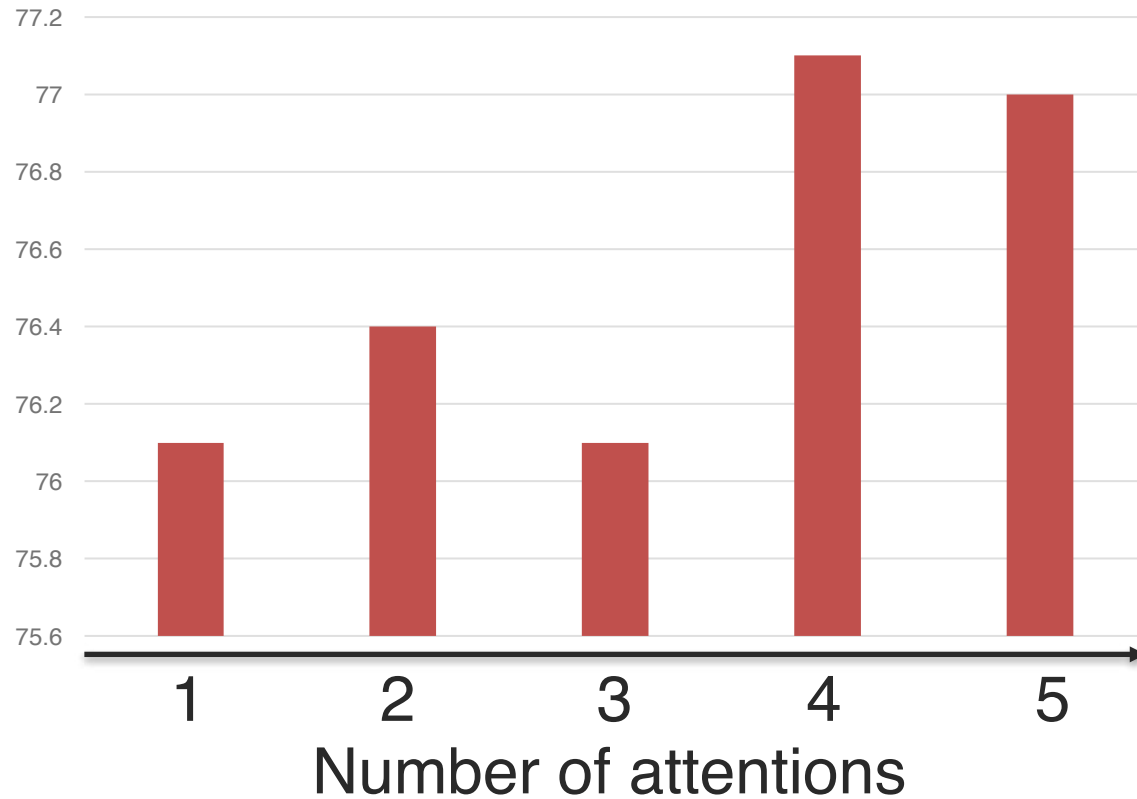
 No Multi-attention Block  
 Multi-attention Recurrent Network (MARN)



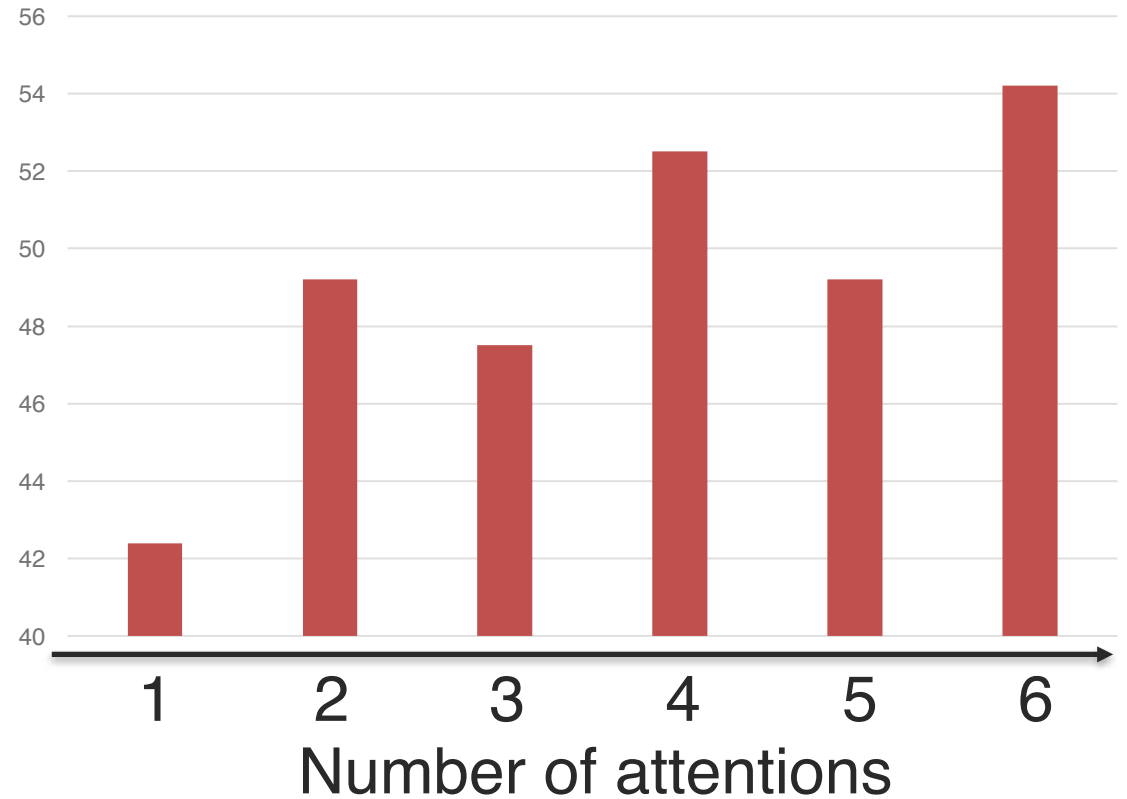
# Multiple Attentions are Important

---

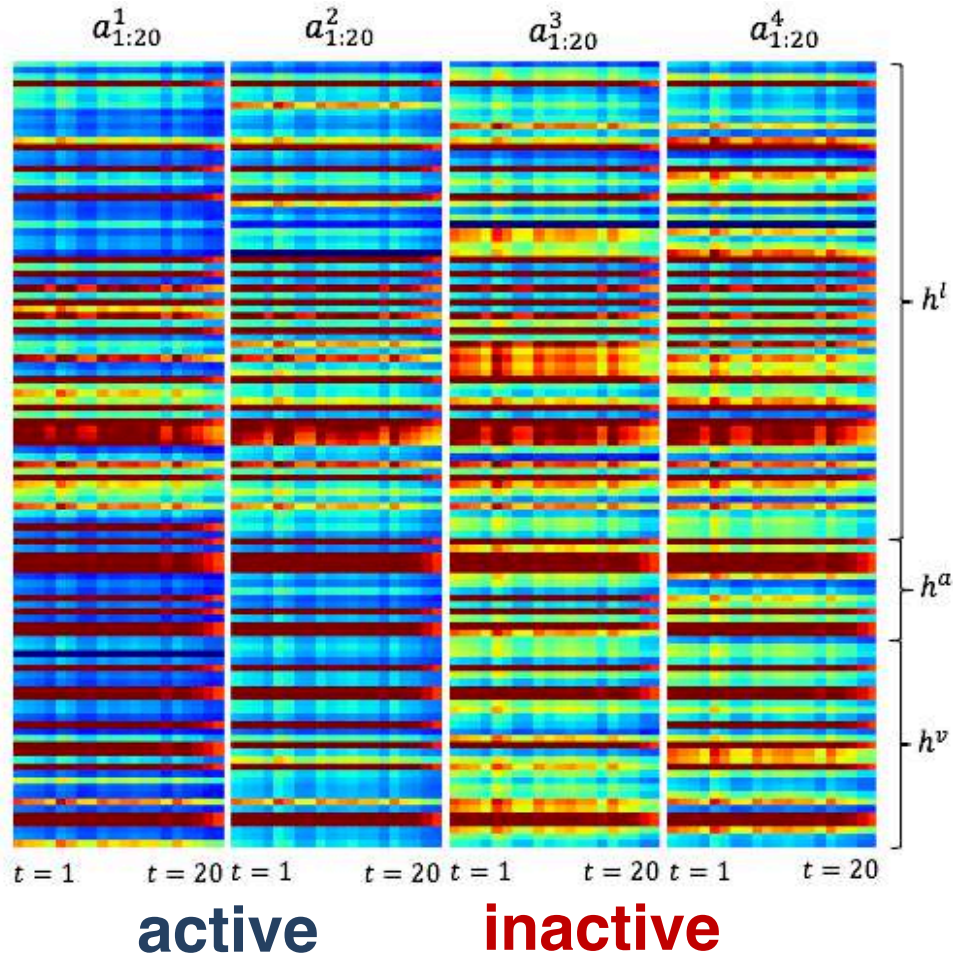
## CMU-MOSI Sentiment Analysis



## YouTube Sentiment Analysis



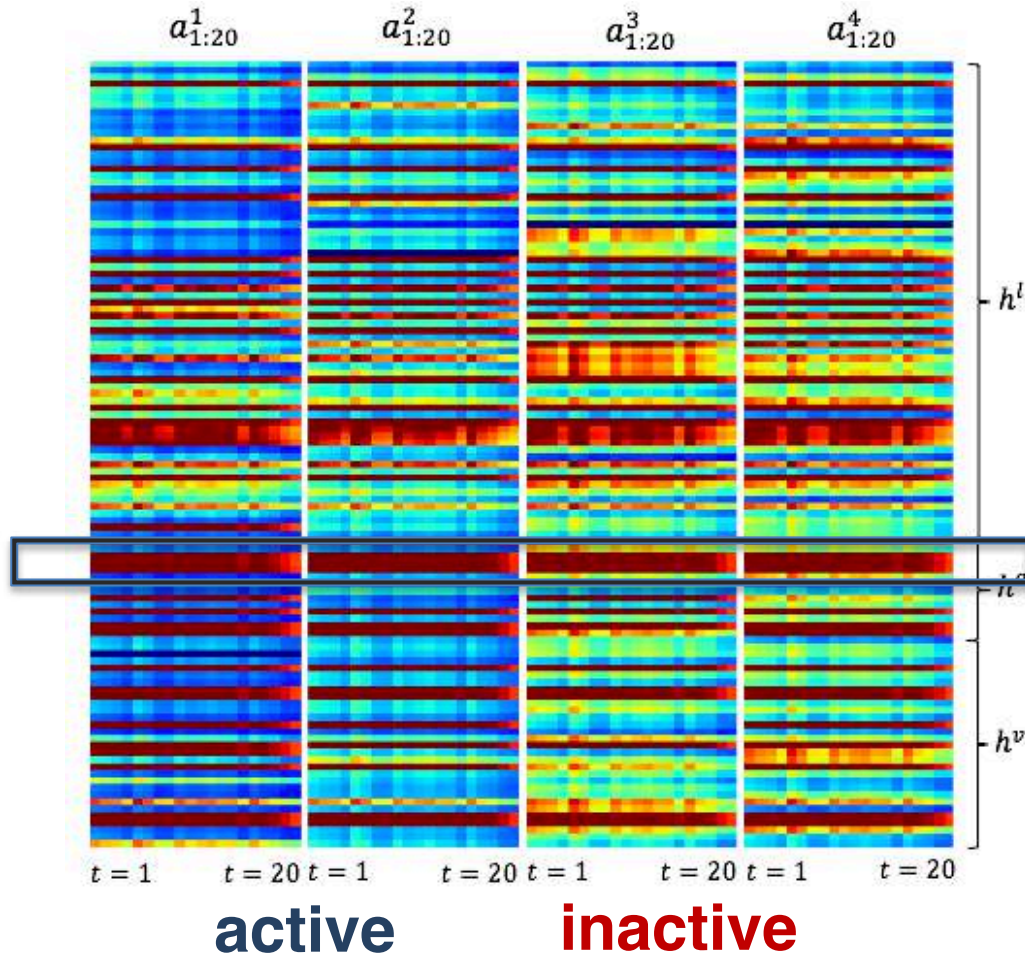
# Visualization



Attentions *show diversity* and are sensitive to different cross-modal dynamics

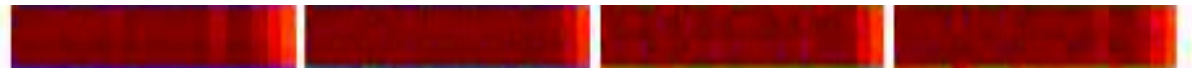


# Visualization

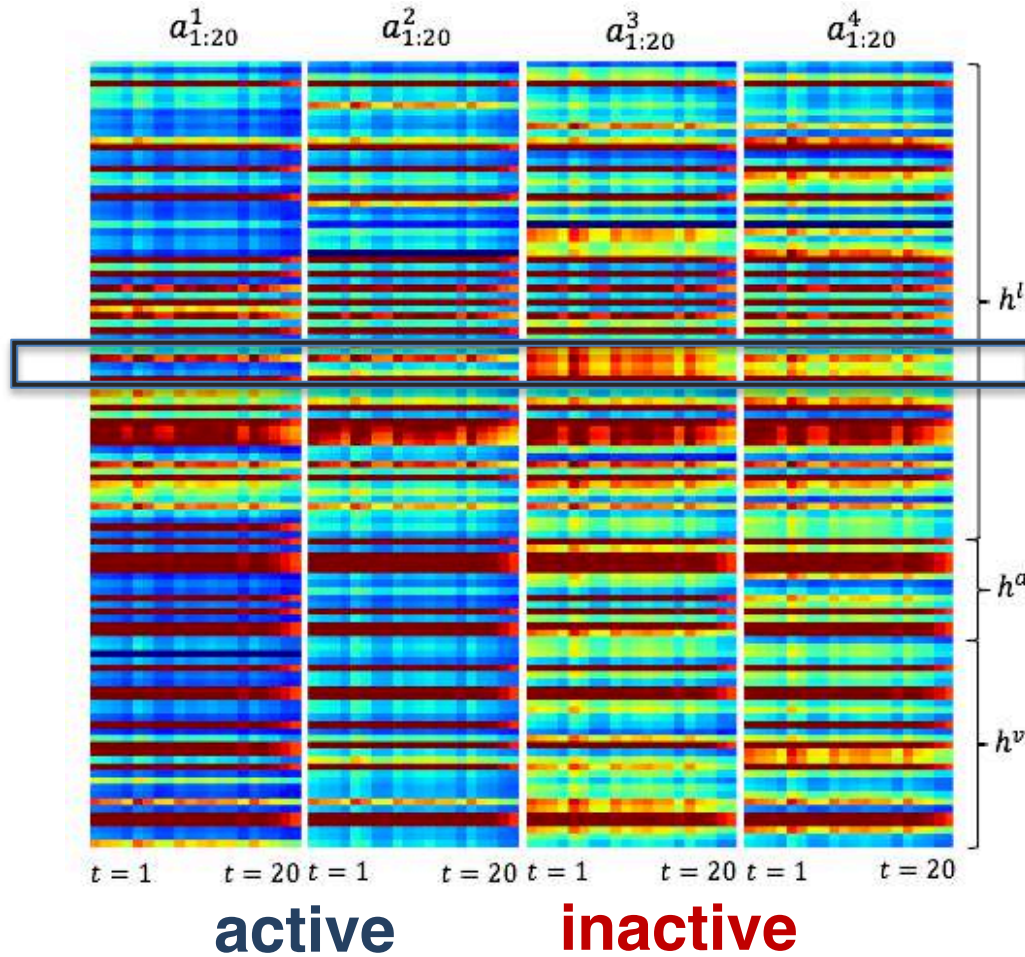


Some attentions *always inactive*

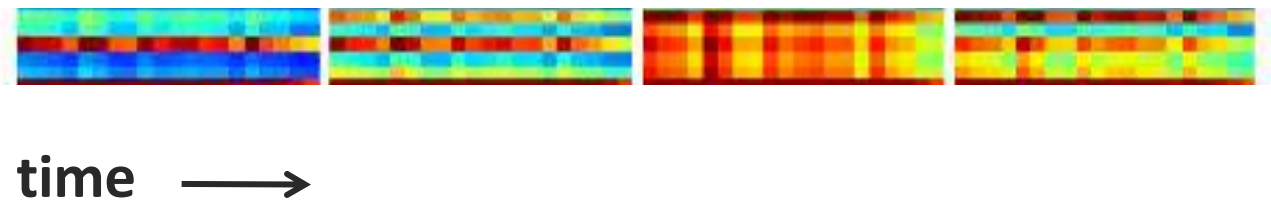
- Carry only intra-modal dynamics
- No cross-modal dynamics



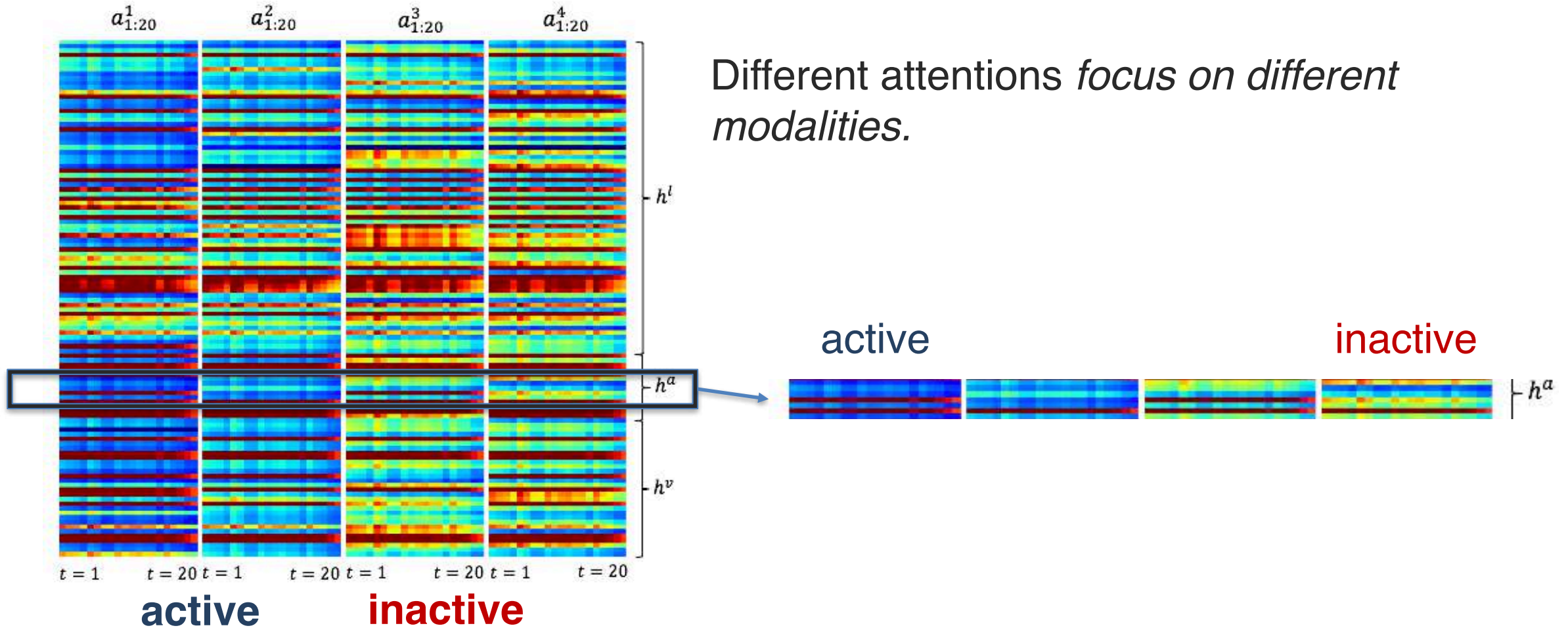
# Visualization



Attentions *change behaviors across time*, some changes are more drastic than others.



# Visualization





# Multi-attention Recurrent Network (MARN)

---

1

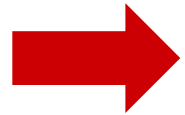
**Modeling intra-modal dynamics**



Set of Long-short Term Memories

2

**Modeling cross-modal dynamics**



Set of Long-short Term **Hybrid** Memories + Single-attention Block

**Modeling multiple cross-modal dynamics**



Set of Long-short Term **Hybrid** Memories + **Multi-attention** Block



# The End!

**Code:** <https://github.com/A2Zadeh/MARN>

**Email:** [pliang@cs.cmu.edu](mailto:pliang@cs.cmu.edu)



# The End!

Code: <https://github.com/A2Zadeh/MARN>

Email: [pliang@cs.cmu.edu](mailto:pliang@cs.cmu.edu)

**Workshop @ ACL 2018**

**First Workshop on Computational Modeling of  
Human Multimodal Language**

[multicomp.cs.cmu.edu/acl2018multimodalchallenge/](http://multicomp.cs.cmu.edu/acl2018multimodalchallenge/)

