

Preprocessing Techniques

Marijn J.H. Heule

**Carnegie
Mellon
University**

<http://www.cs.cmu.edu/~mheule/15816-f19/>

Automated Reasoning and Satisfiability, September 19, 2019

Motivation

Subsumption

Variable Elimination

Bounded Variable Addition

Blocked Clause Elimination

Hyper Binary Resolution

Unhiding Redundancy

Concluding Remarks

Motivation

Subsumption

Variable Elimination

Bounded Variable Addition

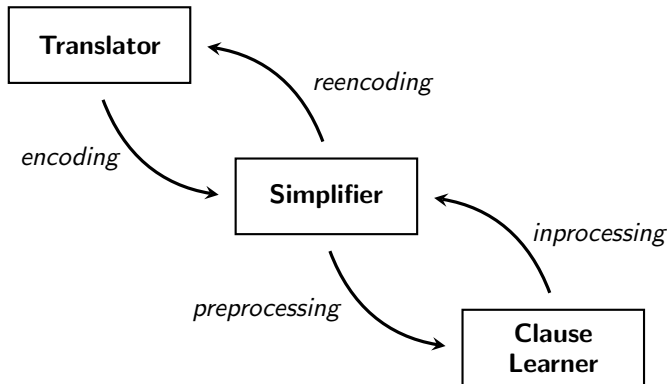
Blocked Clause Elimination

Hyper Binary Resolution

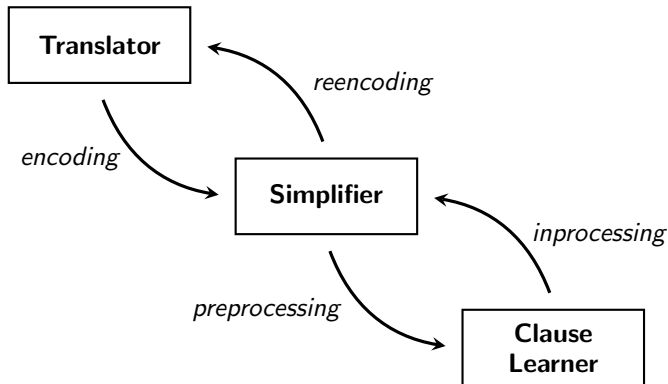
Unhiding Redundancy

Concluding Remarks

Interaction between different solving approaches



Interaction between different solving approaches



It all comes down to adding and removing redundant clauses

Redundant clauses

A clause is redundant with respect to a formula if adding it to the formula preserves satisfiability.

- For unsatisfiable formulas, all clauses can be added, including the empty clause \perp .

Redundant clauses

A clause is redundant with respect to a formula if adding it to the formula preserves satisfiability.

- For unsatisfiable formulas, all clauses can be added, including the empty clause \perp .

A clause is redundant with respect to a formula if removing it from the formula preserves unsatisfiability.

- For satisfiable formulas, all clauses can be removed.

Redundant clauses

A clause is redundant with respect to a formula if adding it to the formula preserves satisfiability.

- For unsatisfiable formulas, all clauses can be added, including the empty clause \perp .

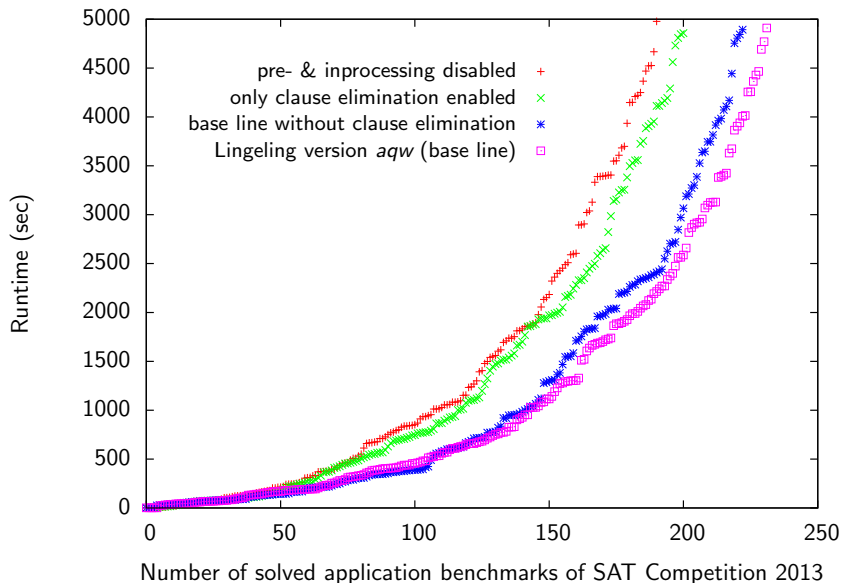
A clause is redundant with respect to a formula if removing it from the formula preserves unsatisfiability.

- For satisfiable formulas, all clauses can be removed.

Challenge regarding redundant clauses:

- How to check redundancy in polynomial time?
- Ideally find redundant clauses in linear time

Preprocessing and Inprocessing in Practice



Outline

Motivation

Subsumption

Variable Elimination

Bounded Variable Addition

Blocked Clause Elimination

Hyper Binary Resolution

Unhiding Redundancy

Concluding Remarks

Motivation

Subsumption

Variable Elimination

Bounded Variable Addition

Blocked Clause Elimination

Hyper Binary Resolution

Unhiding Redundancy

Concluding Remarks

Tautologies and Subsumption

Definition (Tautology)

A clause C is a tautology if it contains two complementary literals x and \bar{x} .

Example

The clause $(a \vee b \vee \bar{b})$ is a tautology.

Definition (Subsumption)

Clause C subsumes clause D if and only if $C \subset D$.

Example

The clause $(a \vee b)$ subsumes clause $(a \vee b \vee \bar{c})$.

Self-Subsuming Resolution

Self-Subsuming Resolution

$$\frac{C \vee x \quad D \vee \bar{x}}{D} \quad C \subseteq D \quad \frac{(a \vee b \vee x) \quad (a \vee b \vee c \vee \bar{x})}{(a \vee b \vee c)}$$

resolvent D subsumes second antecedent $D \vee \bar{x}$

Self-Subsuming Resolution

Self-Subsuming Resolution

$$\frac{C \vee x \quad D \vee \bar{x}}{D} \quad C \subseteq D \quad \frac{(a \vee b \vee x) \quad (a \vee b \vee c \vee \bar{x})}{(a \vee b \vee c)}$$

resolvent D subsumes second antecedent $D \vee \bar{x}$

Example

Assume a CNF contains both antecedents

$\dots (a \vee b \vee x)(a \vee b \vee c \vee \bar{x}) \dots$

If D is added, then $D \vee \bar{x}$ can be removed

which in essence removes \bar{x} from $D \vee \bar{x}$

$\dots (a \vee b \vee x)(a \vee b \vee c) \dots$

Initially in the SATeLite preprocessor, [EenBiere'07]
now common in most solvers (i.e., as pre- and inprocessing)

Self-Subsuming Example

Self-Subsuming Resolution

$$\frac{C \vee x \quad D \vee \bar{x}}{D} \quad C \subseteq D \quad \frac{(a \vee b \vee x) \quad (a \vee b \vee c \vee \bar{x})}{(a \vee b \vee c)}$$

resolvent D subsumes second antecedent $D \vee \bar{x}$

Example: Remove literals using self-subsumption

$$\begin{aligned} & (a \vee b \vee c) \wedge (\bar{a} \vee b \vee c) \wedge \\ & (\bar{a} \vee b \vee \bar{c}) \wedge (a \vee \bar{b} \vee c) \wedge \\ & (\bar{a} \vee \bar{b} \vee d) \wedge (\bar{a} \vee \bar{b} \vee \bar{d}) \wedge \\ & (a \vee \bar{c} \vee d) \wedge (a \vee \bar{c} \vee \bar{d}) \end{aligned}$$

Self-Subsuming Example

Self-Subsuming Resolution

$$\frac{C \vee x \quad D \vee \bar{x}}{D} \quad C \subseteq D \quad \frac{(a \vee b \vee x) \quad (a \vee b \vee c \vee \bar{x})}{(a \vee b \vee c)}$$

resolvent D subsumes second antecedent $D \vee \bar{x}$

Example: Remove literals using self-subsumption

$$\begin{aligned} & (b \vee c) \wedge (\bar{a} \vee b \vee c) \wedge \\ & (\bar{a} \vee b \vee \bar{c}) \wedge (a \vee \bar{b} \vee c) \wedge \\ & (\bar{a} \vee \bar{b} \vee d) \wedge (\bar{a} \vee \bar{b} \vee \bar{d}) \wedge \\ & (a \vee \bar{c} \vee d) \wedge (a \vee \bar{c} \vee \bar{d}) \end{aligned}$$

Self-Subsuming Example

Self-Subsuming Resolution

$$\frac{C \vee x \quad D \vee \bar{x}}{D} \quad C \subseteq D \quad \frac{(a \vee b \vee x) \quad (a \vee b \vee c \vee \bar{x})}{(a \vee b \vee c)}$$

resolvent D subsumes second antecedent $D \vee \bar{x}$

Example: Remove literals using self-subsumption

$$\begin{aligned} & (b \vee c) \wedge (\bar{a} \vee b \vee c) \wedge \\ & (\bar{a} \vee b) \wedge (a \vee \bar{b} \vee c) \wedge \\ & (\bar{a} \vee \bar{b} \vee d) \wedge (\bar{a} \vee \bar{b} \vee \bar{d}) \wedge \\ & (a \vee \bar{c} \vee d) \wedge (a \vee \bar{c} \vee \bar{d}) \end{aligned}$$

Self-Subsuming Example

Self-Subsuming Resolution

$$\frac{C \vee x \quad D \vee \bar{x}}{D} \quad C \subseteq D \quad \frac{(a \vee b \vee x) \quad (a \vee b \vee c \vee \bar{x})}{(a \vee b \vee c)}$$

resolvent D subsumes second antecedent $D \vee \bar{x}$

Example: Remove literals using self-subsumption

$$\begin{aligned} & (\quad b \vee c) \wedge (\bar{a} \vee b \vee c) \wedge \\ & (\bar{a} \vee b \quad) \wedge (a \vee \quad c) \wedge \\ & (\bar{a} \vee \bar{b} \vee d) \wedge (\bar{a} \vee \bar{b} \vee \bar{d}) \wedge \\ & (a \vee \bar{c} \vee d) \wedge (a \vee \bar{c} \vee \bar{d}) \end{aligned}$$

Self-Subsuming Example

Self-Subsuming Resolution

$$\frac{C \vee x \quad D \vee \bar{x}}{D} \quad C \subseteq D \quad \frac{(a \vee b \vee x) \quad (a \vee b \vee c \vee \bar{x})}{(a \vee b \vee c)}$$

resolvent D subsumes second antecedent $D \vee \bar{x}$

Example: Remove literals using self-subsumption

$$\begin{aligned} & (\quad b \vee c) \wedge (\bar{a} \vee b \vee c) \wedge \\ & (\bar{a} \vee b \quad) \wedge (a \vee \quad c) \wedge \\ & (\bar{a} \vee \bar{b} \quad) \wedge (\bar{a} \vee \bar{b} \vee \bar{d}) \wedge \\ & (a \vee \bar{c} \vee d) \wedge (a \vee \bar{c} \vee \bar{d}) \end{aligned}$$

Self-Subsuming Example

Self-Subsuming Resolution

$$\frac{C \vee x \quad D \vee \bar{x}}{D} \quad C \subseteq D \quad \frac{(a \vee b \vee x) \quad (a \vee b \vee c \vee \bar{x})}{(a \vee b \vee c)}$$

resolvent D subsumes second antecedent $D \vee \bar{x}$

Example: Remove literals using self-subsumption

$$\begin{aligned} & (\quad b \vee c) \wedge (\bar{a} \vee b \vee c) \wedge \\ & (\bar{a} \vee b \quad) \wedge (a \vee \quad c) \wedge \\ & (\bar{a} \vee \bar{b} \quad) \wedge (\bar{a} \vee \bar{b} \vee \bar{d}) \wedge \\ & (a \vee \bar{c} \quad) \wedge (a \vee \bar{c} \vee \bar{d}) \end{aligned}$$

Self-Subsuming Example

Self-Subsuming Resolution

$$\frac{C \vee x \quad D \vee \bar{x}}{D} \quad C \subseteq D \quad \frac{(a \vee b \vee x) \quad (a \vee b \vee c \vee \bar{x})}{(a \vee b \vee c)}$$

resolvent D subsumes second antecedent $D \vee \bar{x}$

Example: Remove literals using self-subsumption

$$\begin{aligned} & (\quad b \vee c) \wedge (\bar{a} \vee b \vee c) \wedge \\ & (\bar{a} \quad) \wedge (a \vee \quad c) \wedge \\ & (\bar{a} \vee \bar{b} \quad) \wedge (\bar{a} \vee \bar{b} \vee \bar{d}) \wedge \\ & (a \vee \bar{c} \quad) \wedge (a \vee \bar{c} \vee \bar{d}) \end{aligned}$$

Self-Subsuming Example

Self-Subsuming Resolution

$$\frac{C \vee x \quad D \vee \bar{x}}{D} \quad C \subseteq D \quad \frac{(a \vee b \vee x) \quad (a \vee b \vee c \vee \bar{x})}{(a \vee b \vee c)}$$

resolvent D subsumes second antecedent $D \vee \bar{x}$

Example: Remove literals using self-subsumption

$$\begin{aligned} & (\quad b \vee c) \wedge (\bar{a} \vee b \vee c) \wedge \\ & (\bar{a} \quad) \wedge (a \quad) \wedge \\ & (\bar{a} \vee \bar{b} \quad) \wedge (\bar{a} \vee \bar{b} \vee \bar{d}) \wedge \\ & (a \vee \bar{c} \quad) \wedge (a \vee \bar{c} \vee \bar{d}) \end{aligned}$$

Self-Subsuming Example

Self-Subsuming Resolution

$$\frac{C \vee x \quad D \vee \bar{x}}{D} \quad C \subseteq D \quad \frac{(a \vee b \vee x) \quad (a \vee b \vee c \vee \bar{x})}{(a \vee b \vee c)}$$

resolvent D subsumes second antecedent $D \vee \bar{x}$

Example: Remove literals using self-subsumption

$$\begin{aligned} & (\quad b \vee c) \wedge (\bar{a} \vee b \vee c) \wedge \\ & (\quad \quad) \wedge (a \quad \quad) \wedge \\ & (\bar{a} \vee \bar{b} \quad) \wedge (\bar{a} \vee \bar{b} \vee \bar{d}) \wedge \\ & (a \vee \bar{c} \quad) \wedge (a \vee \bar{c} \vee \bar{d}) \end{aligned}$$

Implementing Subsumption

Definition (Subsumption)

Clause C subsumes clause D if and only if $C \subset D$.

Example

The clause $(a \vee b)$ subsumes clause $(a \vee b \vee \bar{c})$.

Forward Subsumption

for each clause C in formula F **do**
 if C is subsumed by a clause D in $F \setminus C$ **then**
 remove C from F

Implementing Subsumption

Definition (Subsumption)

Clause C subsumes clause D if and only if $C \subset D$.

Example

The clause $(a \vee b)$ subsumes clause $(a \vee b \vee \bar{c})$.

Forward Subsumption

for each clause C in formula F **do**
 if C is subsumed by a clause D in $F \setminus C$ **then**
 remove C from F

Backward Subsumption

for each clause C in formula F **do**
 remove all clauses D in F that are subsumed by C

Implementing Subsumption

Definition (Subsumption)

Clause C subsumes clause D if and only if $C \subset D$.

Example

The clause $(a \vee b)$ subsumes clause $(a \vee b \vee \bar{c})$.

Forward Subsumption

for each clause C in formula F **do**
 if C is subsumed by a clause D in $F \setminus C$ **then**
 remove C from F

Backward Subsumption

for each clause C in formula F **do**
 pick a literal x in C
 remove all clauses D in F_x that are subsumed by C

Motivation

Subsumption

Variable Elimination

Bounded Variable Addition

Blocked Clause Elimination

Hyper Binary Resolution

Unhiding Redundancy

Concluding Remarks

Variable Elimination [DavisPutnam'60]

Definition (Resolution)

Given two clauses $C = (x \vee a_1 \vee \cdots \vee a_i)$ and $D = (\bar{x} \vee b_1 \vee \cdots \vee b_j)$, the *resolvent* of C and D on variable x (denoted by $C \otimes_x D$) is $(a_1 \vee \cdots \vee a_i \vee b_1 \vee \cdots \vee b_j)$

Resolution on sets of clauses F_x and $F_{\bar{x}}$ (denoted by $F_x \otimes_x F_{\bar{x}}$) generates all non-tautological resolvents of $C \in F_x$ and $D \in F_{\bar{x}}$.

Variable Elimination [DavisPutnam'60]

Definition (Resolution)

Given two clauses $C = (x \vee a_1 \vee \dots \vee a_i)$ and $D = (\bar{x} \vee b_1 \vee \dots \vee b_j)$, the *resolvent* of C and D on variable x (denoted by $C \otimes_x D$) is $(a_1 \vee \dots \vee a_i \vee b_1 \vee \dots \vee b_j)$

Resolution on sets of clauses F_x and $F_{\bar{x}}$ (denoted by $F_x \otimes_x F_{\bar{x}}$) generates all non-tautological resolvents of $C \in F_x$ and $D \in F_{\bar{x}}$.

Definition (Variable elimination (VE))

Given a CNF formula F , *variable elimination* (or DP resolution) removes a variable x by replacing F_x and $F_{\bar{x}}$ by $F_x \otimes_x F_{\bar{x}}$

Variable Elimination [DavisPutnam'60]

Definition (Resolution)

Given two clauses $C = (x \vee a_1 \vee \dots \vee a_i)$ and $D = (\bar{x} \vee b_1 \vee \dots \vee b_j)$, the *resolvent* of C and D on variable x (denoted by $C \otimes_x D$) is $(a_1 \vee \dots \vee a_i \vee b_1 \vee \dots \vee b_j)$

Resolution on sets of clauses F_x and $F_{\bar{x}}$ (denoted by $F_x \otimes_x F_{\bar{x}}$) generates all non-tautological resolvents of $C \in F_x$ and $D \in F_{\bar{x}}$.

Definition (Variable elimination (VE))

Given a CNF formula F , *variable elimination* (or DP resolution) removes a variable x by replacing F_x and $F_{\bar{x}}$ by $F_x \otimes_x F_{\bar{x}}$

Proof procedure [DavisPutnam60]

VE is a complete proof procedure. Applying VE until fixpoint results in either the empty formula (satisfiable) or empty clause (unsatisfiable)

Example VE by clause distribution [DavisPutnam'60]

Definition (Variable elimination (VE))

Given a CNF formula F , *variable elimination* (or DP resolution) removes a variable x by replacing F_x and $F_{\bar{x}}$ by $F_x \otimes_x F_{\bar{x}}$

Example VE by clause distribution [DavisPutnam'60]

Definition (Variable elimination (VE))

Given a CNF formula F , *variable elimination* (or DP resolution) removes a variable x by replacing F_x and $F_{\bar{x}}$ by $F_x \otimes_x F_{\bar{x}}$

Example of clause distribution

	F_x		
	$(x \vee c)$	$(x \vee \bar{d})$	$(x \vee \bar{a} \vee \bar{b})$
$F_{\bar{x}}$	$(\bar{x} \vee a)$	$(a \vee c)$	$(a \vee \bar{a} \vee \bar{b})$
	$(\bar{x} \vee b)$	$(b \vee c)$	$(b \vee \bar{a} \vee \bar{b})$
	$(\bar{x} \vee \bar{e} \vee f)$	$(c \vee \bar{e} \vee f)$	$(d \vee \bar{e} \vee f)$
			$(\bar{a} \vee \bar{b} \vee \bar{e} \vee f)$

Example VE by clause distribution [DavisPutnam'60]

Definition (Variable elimination (VE))

Given a CNF formula F , *variable elimination* (or DP resolution) removes a variable x by replacing F_x and $F_{\bar{x}}$ by $F_x \otimes_x F_{\bar{x}}$

Example of clause distribution

	F_x			
	$(x \vee c)$	$(x \vee \bar{d})$	$(x \vee \bar{a} \vee \bar{b})$	
$F_{\bar{x}}$	$(\bar{x} \vee a)$	$(a \vee c)$	$(a \vee d)$	$(a \vee \bar{a} \vee \bar{b})$
	$(\bar{x} \vee b)$	$(b \vee c)$	$(b \vee d)$	$(b \vee \bar{a} \vee \bar{b})$
	$(\bar{x} \vee \bar{e} \vee f)$	$(c \vee \bar{e} \vee f)$	$(d \vee \bar{e} \vee f)$	$(\bar{a} \vee \bar{b} \vee \bar{e} \vee f)$

Example VE by clause distribution [DavisPutnam'60]

Definition (Variable elimination (VE))

Given a CNF formula F , *variable elimination* (or DP resolution) removes a variable x by replacing F_x and $F_{\bar{x}}$ by $F_x \otimes_x F_{\bar{x}}$

Example of clause distribution

	F_x			
	$(x \vee c)$	$(x \vee \bar{d})$	$(x \vee \bar{a} \vee \bar{b})$	
$F_{\bar{x}}$	$(\bar{x} \vee a)$	$(a \vee c)$	$(a \vee d)$	$(a \vee \bar{a} \vee \bar{b})$
	$(\bar{x} \vee b)$	$(b \vee c)$	$(b \vee d)$	$(b \vee \bar{a} \vee \bar{b})$
	$(\bar{x} \vee \bar{e} \vee f)$	$(c \vee \bar{e} \vee f)$	$(d \vee \bar{e} \vee f)$	$(\bar{a} \vee \bar{b} \vee \bar{e} \vee f)$

In the example: $|F_x \otimes_x F_{\bar{x}}| > |F_x| + |F_{\bar{x}}|$

Exponential growth of clauses in general

VE by substitution [EenBiere07]

General idea

Detect gates (or definitions) $x = \text{GATE}(a_1, \dots, a_n)$ in the formula and use them to reduce the number of added clauses

VE by substitution [EenBiere07]

General idea

Detect gates (or definitions) $x = \text{GATE}(a_1, \dots, a_n)$ in the formula and use them to reduce the number of added clauses

Possible gates

gate	G_x	$G_{\bar{x}}$
$\text{AND}(a_1, \dots, a_n)$	$(x \vee \bar{a}_1 \vee \dots \vee \bar{a}_n)$	$(\bar{x} \vee a_1), \dots, (\bar{x} \vee a_n)$
$\text{OR}(a_1, \dots, a_n)$	$(x \vee \bar{a}_1), \dots, (x \vee \bar{a}_n)$	$(\bar{x} \vee a_1 \vee \dots \vee a_n)$
$\text{ITE}(c, t, f)$	$(x \vee \bar{c} \vee \bar{t}), (x \vee c \vee \bar{f})$	$(\bar{x} \vee \bar{c} \vee t), (\bar{x} \vee c \vee f)$

VE by substitution [EenBiere07]

General idea

Detect gates (or definitions) $x = \text{GATE}(a_1, \dots, a_n)$ in the formula and use them to reduce the number of added clauses

Possible gates

gate	G_x	$G_{\bar{x}}$
AND(a_1, \dots, a_n)	$(x \vee \bar{a}_1 \vee \dots \vee \bar{a}_n)$	$(\bar{x} \vee a_1), \dots, (\bar{x} \vee a_n)$
OR(a_1, \dots, a_n)	$(x \vee \bar{a}_1), \dots, (x \vee \bar{a}_n)$	$(\bar{x} \vee a_1 \vee \dots \vee a_n)$
ITE(c, t, f)	$(x \vee \bar{c} \vee \bar{t}), (x \vee c \vee \bar{f})$	$(\bar{x} \vee \bar{c} \vee t), (\bar{x} \vee c \vee f)$

Variable elimination by substitution [EenBiere07]

Let $R_x = F_x \setminus G_x$; $R_{\bar{x}} = F_{\bar{x}} \setminus G_{\bar{x}}$.

Replace $F_x \wedge F_{\bar{x}}$ by $G_x \otimes_x R_{\bar{x}} \wedge G_{\bar{x}} \otimes_x R_x$.

Always less than $F_x \otimes_x F_{\bar{x}}$!

VE by substitution [EenBiere'07]

Example of gate extraction: $x = \text{AND}(a, b)$

$$F_x = (x \vee c) \wedge (x \vee \bar{d}) \wedge (x \vee \bar{a} \vee \bar{b})$$

$$F_{\bar{x}} = (\bar{x} \vee a) \wedge (\bar{x} \vee b) \wedge (\bar{x} \vee \bar{e} \vee f)$$

VE by substitution [EenBiere'07]

Example of gate extraction: $x = \text{AND}(a, b)$

$$F_x = (x \vee c) \wedge (x \vee \bar{d}) \wedge (x \vee \bar{a} \vee \bar{b})$$

$$F_{\bar{x}} = (\bar{x} \vee a) \wedge (\bar{x} \vee b) \wedge (\bar{x} \vee \bar{e} \vee f)$$

Example of substitution

	R_x		G_x
	$(x \vee c)$	$(x \vee \bar{d})$	$(x \vee \bar{a} \vee \bar{b})$
$G_{\bar{x}} \left\{ \begin{array}{l} (\bar{x} \vee a) \\ (\bar{x} \vee b) \end{array} \right.$	$(a \vee c)$	$(a \vee d)$	
$R_{\bar{x}} \left\{ \begin{array}{l} (\bar{x} \vee \bar{e} \vee f) \end{array} \right.$	$(b \vee c)$	$(b \vee d)$	$(\bar{a} \vee \bar{b} \vee \bar{e} \vee f)$

VE by substitution [EenBiere'07]

Example of gate extraction: $x = \text{AND}(a, b)$

$$F_x = (x \vee c) \wedge (x \vee \bar{d}) \wedge (x \vee \bar{a} \vee \bar{b})$$

$$F_{\bar{x}} = (\bar{x} \vee a) \wedge (\bar{x} \vee b) \wedge (\bar{x} \vee \bar{e} \vee f)$$

Example of substitution

	R_x		G_x
	$(x \vee c)$	$(x \vee \bar{d})$	$(x \vee \bar{a} \vee \bar{b})$
$G_{\bar{x}} \left\{ \begin{array}{l} (\bar{x} \vee a) \\ (\bar{x} \vee b) \end{array} \right.$	$(a \vee c)$	$(a \vee d)$	
$R_{\bar{x}} \left\{ (\bar{x} \vee \bar{e} \vee f) \right.$	$(b \vee c)$	$(b \vee d)$	$(\bar{a} \vee \bar{b} \vee \bar{e} \vee f)$

using substitution: $|F_x \otimes F_{\bar{x}}| < |F_x| + |F_{\bar{x}}|$

Motivation

Subsumption

Variable Elimination

Bounded Variable Addition

Blocked Clause Elimination

Hyper Binary Resolution

Unhiding Redundancy

Concluding Remarks

Bounded Variable Addition

Main Idea

Given a CNF formula F , can we construct a (semi)logically equivalent F' by introducing a new variable $x \notin \text{VAR}(F)$ such that $|F'| < |F|$?

Bounded Variable Addition

Main Idea

Given a CNF formula F , can we construct a (semi)logically equivalent F' by introducing a new variable $x \notin \text{VAR}(F)$ such that $|F'| < |F|$?

Reverse of Variable Elimination

For example, replace the clauses

$$\begin{array}{lll} (a \vee c) & (a \vee d) & \\ (b \vee c) & (b \vee d) & \\ (c \vee \bar{e} \vee f) & (d \vee \bar{e} \vee f) & (\bar{a} \vee \bar{b} \vee \bar{e} \vee f) \end{array}$$

by

$$\begin{array}{lll} (\bar{x} \vee a) & (\bar{x} \vee b) & (\bar{x} \vee \bar{e} \vee f) \\ (x \vee c) & (x \vee d) & (x \vee \bar{a} \vee \bar{b}) \end{array}$$

Bounded Variable Addition

Main Idea

Given a CNF formula F , can we construct a (semi)logically equivalent F' by introducing a new variable $x \notin \text{VAR}(F)$ such that $|F'| < |F|$?

Reverse of Variable Elimination

For example, replace the clauses

$$\begin{array}{lll} (a \vee c) & (a \vee d) & \\ (b \vee c) & (b \vee d) & \\ (c \vee \bar{e} \vee f) & (d \vee \bar{e} \vee f) & (\bar{a} \vee \bar{b} \vee \bar{e} \vee f) \end{array}$$

by

$$\begin{array}{lll} (\bar{x} \vee a) & (\bar{x} \vee b) & (\bar{x} \vee \bar{e} \vee f) \\ (x \vee c) & (x \vee d) & (x \vee \bar{a} \vee \bar{b}) \end{array}$$

Challenge: how to find suitable patterns for replacement?

Factoring Out Subclauses

Example

Replace

$$(a \vee b \vee c \vee d) \quad (a \vee b \vee c \vee e) \quad (a \vee b \vee c \vee f)$$

by

$$(x \vee d) \quad (x \vee e) \quad (x \vee f) \quad (\bar{x} \vee a \vee b \vee c)$$

adds 1 variable and 1 clause *reduces number of literals by 2*

Not compatible with VE, which would eliminate x immediately!

... so this does not work ...

Bounded Variable Addition

Example

Smallest pattern that is compatible: Replace

$$\begin{array}{cc} (a \vee d) & (a \vee e) \\ (b \vee d) & (b \vee e) \\ (c \vee d) & (c \vee e) \end{array}$$

by

$$\begin{array}{ccc} (\bar{x} \vee a) & (\bar{x} \vee b) & (\bar{x} \vee c) \\ (x \vee d) & (x \vee e) & \end{array}$$

adds 1 variable

removes 1 clause

Bounded Variable Addition

Possible Patterns

$$\begin{array}{ccc} (X_1 \vee L_1) & \dots & (X_1 \vee L_k) \\ \vdots & & \vdots \\ (X_n \vee L_1) & \dots & (X_n \vee L_k) \end{array} \equiv \bigwedge_{i=1}^n \bigwedge_{j=1}^k (X_i \vee L_j)$$

replaced by $\bigwedge_{i=1}^n (y \vee X_i) \wedge \bigwedge_{j=1}^k (\bar{y} \vee L_j)$

- Every k clauses share sets of literals L_j
- There are n sets of literals X_i that appear in clauses with L_j

Bounded Variable Addition

Possible Patterns

$$\begin{array}{ccc} (X_1 \vee L_1) & \dots & (X_1 \vee L_k) \\ \vdots & & \vdots \\ (X_n \vee L_1) & \dots & (X_n \vee L_k) \end{array} \equiv \bigwedge_{i=1}^n \bigwedge_{j=1}^k (X_i \vee L_j)$$

replaced by $\bigwedge_{i=1}^n (y \vee X_i) \wedge \bigwedge_{j=1}^k (\bar{y} \vee L_j)$

- Every k clauses share sets of literals L_j
- There are n sets of literals X_i that appear in clauses with L_j
- Reduction: $nk - n - k$ clauses are removed by replacement

Bounded Variable Addition on AtMostOneZero (1)

Example encoding of AtMostOneZero (x_1, x_2, \dots, x_n)

$$\begin{aligned} &(x_1 \vee x_2) \wedge (x_9 \vee x_{10}) \wedge (x_8 \vee x_{10}) \wedge (x_7 \vee x_{10}) \wedge (x_6 \vee x_{10}) \wedge \\ &(x_1 \vee x_3) \wedge (x_2 \vee x_3) \wedge (x_8 \vee x_9) \wedge (x_7 \vee x_9) \wedge (x_6 \vee x_9) \wedge \\ &(x_1 \vee x_4) \wedge (x_2 \vee x_4) \wedge (x_3 \vee x_4) \wedge (x_7 \vee x_8) \wedge (x_6 \vee x_8) \wedge \\ &(x_1 \vee x_5) \wedge (x_2 \vee x_5) \wedge (x_3 \vee x_5) \wedge (x_4 \vee x_5) \wedge (x_6 \vee x_7) \wedge \\ &(x_1 \vee x_6) \wedge (x_2 \vee x_6) \wedge (x_3 \vee x_6) \wedge (x_4 \vee x_6) \wedge (x_5 \vee x_6) \wedge \\ &(x_1 \vee x_7) \wedge (x_2 \vee x_7) \wedge (x_3 \vee x_7) \wedge (x_4 \vee x_7) \wedge (x_5 \vee x_7) \wedge \\ &(x_1 \vee x_8) \wedge (x_2 \vee x_8) \wedge (x_3 \vee x_8) \wedge (x_4 \vee x_8) \wedge (x_5 \vee x_8) \wedge \\ &(x_1 \vee x_9) \wedge (x_2 \vee x_9) \wedge (x_3 \vee x_9) \wedge (x_4 \vee x_9) \wedge (x_5 \vee x_9) \wedge \\ &(x_1 \vee x_{10}) \wedge (x_2 \vee x_{10}) \wedge (x_3 \vee x_{10}) \wedge (x_4 \vee x_{10}) \wedge (x_5 \vee x_{10}) \end{aligned}$$

Bounded Variable Addition on AtMostOneZero (1)

Example encoding of AtMostOneZero (x_1, x_2, \dots, x_n)

$$\begin{aligned} & (x_1 \vee x_2) \wedge (x_9 \vee x_{10}) \wedge (x_8 \vee x_{10}) \wedge (x_7 \vee x_{10}) \wedge (x_6 \vee x_{10}) \wedge \\ & (x_1 \vee x_3) \wedge (x_2 \vee x_3) \wedge (x_8 \vee x_9) \wedge (x_7 \vee x_9) \wedge (x_6 \vee x_9) \wedge \\ & (x_1 \vee x_4) \wedge (x_2 \vee x_4) \wedge (x_3 \vee x_4) \wedge (x_7 \vee x_8) \wedge (x_6 \vee x_8) \wedge \\ & (x_1 \vee x_5) \wedge (x_2 \vee x_5) \wedge (x_3 \vee x_5) \wedge (x_4 \vee x_5) \wedge (x_6 \vee x_7) \wedge \\ & (x_1 \vee x_6) \wedge (x_2 \vee x_6) \wedge (x_3 \vee x_6) \wedge (x_4 \vee x_6) \wedge (x_5 \vee x_6) \wedge \\ & (x_1 \vee x_7) \wedge (x_2 \vee x_7) \wedge (x_3 \vee x_7) \wedge (x_4 \vee x_7) \wedge (x_5 \vee x_7) \wedge \\ & (x_1 \vee x_8) \wedge (x_2 \vee x_8) \wedge (x_3 \vee x_8) \wedge (x_4 \vee x_8) \wedge (x_5 \vee x_8) \wedge \\ & (x_1 \vee x_9) \wedge (x_2 \vee x_9) \wedge (x_3 \vee x_9) \wedge (x_4 \vee x_9) \wedge (x_5 \vee x_9) \wedge \\ & (x_1 \vee x_{10}) \wedge (x_2 \vee x_{10}) \wedge (x_3 \vee x_{10}) \wedge (x_4 \vee x_{10}) \wedge (x_5 \vee x_{10}) \end{aligned}$$

Replace $(x_i \vee x_j)$ with $i \in \{1..5\}, j \in \{6..10\}$ by $(x_i \vee y), (x_j \vee \bar{y})$

Bounded Variable Addition on AtMostOneZero (2)

Example encoding of AtMostOneZero (x_1, x_2, \dots, x_n)

$$\begin{aligned} & (x_1 \vee x_2) \wedge (x_9 \vee x_{10}) \wedge (x_8 \vee x_{10}) \wedge (x_7 \vee x_{10}) \wedge (x_6 \vee x_{10}) \wedge \\ & (x_1 \vee x_3) \wedge (x_2 \vee x_3) \wedge (x_8 \vee x_9) \wedge (x_7 \vee x_9) \wedge (x_6 \vee x_9) \wedge \\ & (x_1 \vee x_4) \wedge (x_2 \vee x_4) \wedge (x_3 \vee x_4) \wedge (x_7 \vee x_8) \wedge (x_6 \vee x_8) \wedge \\ & (x_1 \vee x_5) \wedge (x_2 \vee x_5) \wedge (x_3 \vee x_5) \wedge (x_4 \vee x_5) \wedge (x_6 \vee x_7) \wedge \\ & (x_1 \vee y) \wedge (x_2 \vee y) \wedge (x_3 \vee y) \wedge (x_4 \vee y) \wedge (x_5 \vee y) \wedge \\ & (x_6 \vee \bar{y}) \wedge (x_7 \vee \bar{y}) \wedge (x_8 \vee \bar{y}) \wedge (x_9 \vee \bar{y}) \wedge (x_{10} \vee \bar{y}) \end{aligned}$$

Bounded Variable Addition on AtMostOneZero (2)

Example encoding of AtMostOneZero (x_1, x_2, \dots, x_n)

$$\begin{aligned} & (x_1 \vee x_2) \wedge (x_9 \vee x_{10}) \wedge (x_8 \vee x_{10}) \wedge (x_7 \vee x_{10}) \wedge (x_6 \vee x_{10}) \wedge \\ & (x_1 \vee x_3) \wedge (x_2 \vee x_3) \wedge (x_8 \vee x_9) \wedge (x_7 \vee x_9) \wedge (x_6 \vee x_9) \wedge \\ & (x_1 \vee x_4) \wedge (x_2 \vee x_4) \wedge (x_3 \vee x_4) \wedge (x_7 \vee x_8) \wedge (x_6 \vee x_8) \wedge \\ & (x_1 \vee x_5) \wedge (x_2 \vee x_5) \wedge (x_3 \vee x_5) \wedge (x_4 \vee x_5) \wedge (x_6 \vee x_7) \wedge \\ & (x_1 \vee y) \wedge (x_2 \vee y) \wedge (x_3 \vee y) \wedge (x_4 \vee y) \wedge (x_5 \vee y) \wedge \\ & (x_6 \vee \bar{y}) \wedge (x_7 \vee \bar{y}) \wedge (x_8 \vee \bar{y}) \wedge (x_9 \vee \bar{y}) \wedge (x_{10} \vee \bar{y}) \end{aligned}$$

Replace matched pattern

$$\begin{aligned} & (x_1 \vee z) \wedge (x_2 \vee z) \wedge (x_3 \vee z) \wedge \\ & (x_4 \vee \bar{z}) \wedge (x_5 \vee \bar{z}) \wedge (y \vee \bar{z}) \end{aligned}$$

Bounded Variable Addition on AtMostOneZero (3)

Example encoding of AtMostOneZero (x_1, x_2, \dots, x_n)

$$\begin{aligned} & (x_1 \vee x_2) \wedge (x_9 \vee x_{10}) \wedge (x_8 \vee x_{10}) \wedge (x_7 \vee x_{10}) \wedge (x_6 \vee x_{10}) \wedge \\ & (x_1 \vee x_3) \wedge (x_2 \vee x_3) \wedge (x_8 \vee x_9) \wedge (x_7 \vee x_9) \wedge (x_6 \vee x_9) \wedge \\ & (x_1 \vee z) \wedge (x_2 \vee z) \wedge (x_3 \vee z) \wedge (x_7 \vee x_8) \wedge (x_6 \vee x_8) \wedge \\ & (x_4 \vee \bar{z}) \wedge (x_5 \vee \bar{z}) \wedge (y \vee \bar{z}) \wedge (x_4 \vee x_5) \wedge (x_6 \vee x_7) \wedge \\ & (x_4 \vee y) \wedge (x_5 \vee y) \wedge (x_6 \vee \bar{y}) \wedge (x_7 \vee \bar{y}) \wedge (x_8 \vee \bar{y}) \\ & (x_9 \vee \bar{y}) \wedge (x_{10} \vee \bar{y}) \end{aligned}$$

Bounded Variable Addition on AtMostOneZero (3)

Example encoding of AtMostOneZero (x_1, x_2, \dots, x_n)

$$\begin{aligned} & (x_1 \vee x_2) \wedge (x_9 \vee x_{10}) \wedge (x_8 \vee x_{10}) \wedge (x_7 \vee x_{10}) \wedge (x_6 \vee x_{10}) \wedge \\ & (x_1 \vee x_3) \wedge (x_2 \vee x_3) \wedge (x_8 \vee x_9) \wedge (x_7 \vee x_9) \wedge (x_6 \vee x_9) \wedge \\ & (x_1 \vee z) \wedge (x_2 \vee z) \wedge (x_3 \vee z) \wedge (x_7 \vee x_8) \wedge (x_6 \vee x_8) \wedge \\ & (x_4 \vee \bar{z}) \wedge (x_5 \vee \bar{z}) \wedge (y \vee \bar{z}) \wedge (x_4 \vee x_5) \wedge (x_6 \vee x_7) \wedge \\ & (x_4 \vee y) \wedge (x_5 \vee y) \wedge (x_6 \vee \bar{y}) \wedge (x_7 \vee \bar{y}) \wedge (x_8 \vee \bar{y}) \\ & (x_9 \vee \bar{y}) \wedge (x_{10} \vee \bar{y}) \end{aligned}$$

Replace matched pattern

$$\begin{aligned} & (x_6 \vee w) \wedge (x_7 \vee w) \wedge (x_8 \vee w) \wedge \\ & (x_9 \vee \bar{w}) \wedge (x_{10} \vee \bar{w}) \wedge (\bar{y} \vee \bar{w}) \end{aligned}$$

Motivation

Subsumption

Variable Elimination

Bounded Variable Addition

Blocked Clause Elimination

Hyper Binary Resolution

Unhiding Redundancy

Concluding Remarks

Blocked Clauses [Kullmann'99]

Definition (Blocking literal)

A literal x in a clause C of a CNF F blocks C w.r.t. F if for every clause $D \in F_{\bar{x}}$, the resolvent $(C \setminus \{x\}) \cup (D \setminus \{\bar{x}\})$ obtained from resolving C and D on l is a tautology.

With respect to a fixed CNF and its clauses we have:

Definition (Blocked clause)

A clause is blocked if it contains a literal that blocks it.

Blocked Clauses [Kullmann'99]

Definition (Blocking literal)

A literal x in a clause C of a CNF F blocks C w.r.t. F if for every clause $D \in F_{\bar{x}}$, the resolvent $(C \setminus \{x\}) \cup (D \setminus \{\bar{x}\})$ obtained from resolving C and D on l is a tautology.

With respect to a fixed CNF and its clauses we have:

Definition (Blocked clause)

A clause is blocked if it contains a literal that blocks it.

Example

Consider the formula $(a \vee b) \wedge (a \vee \bar{b} \vee \bar{c}) \wedge (\bar{a} \vee c)$.

First clause is not blocked.

Second clause is blocked by both a and \bar{c} .

Third clause is blocked by c

Blocked Clauses [Kullmann'99]

Definition (Blocking literal)

A literal x in a clause C of a CNF F blocks C w.r.t. F if for every clause $D \in F_{\bar{x}}$, the resolvent $(C \setminus \{x\}) \cup (D \setminus \{\bar{x}\})$ obtained from resolving C and D on l is a tautology.

With respect to a fixed CNF and its clauses we have:

Definition (Blocked clause)

A clause is blocked if it contains a literal that blocks it.

Example

Consider the formula $(a \vee b) \wedge (a \vee \bar{b} \vee \bar{c}) \wedge (\bar{a} \vee c)$.

First clause is not blocked.

Second clause is blocked by both a and \bar{c} .

Third clause is blocked by c

Proposition

Removal of an arbitrary blocked clause preserves satisfiability.

Blocked Clause Elimination (BCE)

Definition (BCE)

While there is a blocked clause C in a CNF F , remove C from F .

Example

Consider $(a \vee b) \wedge (a \vee \bar{b} \vee \bar{c}) \wedge (\bar{a} \vee c)$.

*After removing either $(a \vee \bar{b} \vee \bar{c})$ or $(\bar{a} \vee c)$, the clause $(a \vee b)$ becomes blocked (*no clause* with either \bar{b} or \bar{a}).*

An extreme case in which BCE removes all clauses!

Blocked Clause Elimination (BCE)

Definition (BCE)

While there is a blocked clause C in a CNF F , remove C from F .

Example

Consider $(a \vee b) \wedge (a \vee \bar{b} \vee \bar{c}) \wedge (\bar{a} \vee c)$.

After removing either $(a \vee \bar{b} \vee \bar{c})$ or $(\bar{a} \vee c)$, the clause $(a \vee b)$ becomes blocked (*no clause* with either \bar{b} or \bar{a}).

An extreme case in which BCE removes all clauses!

Proposition

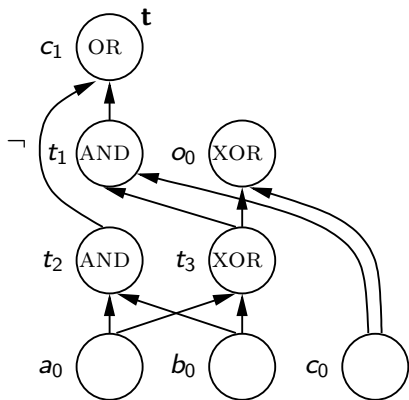
BCE is confluent, i.e., has a unique fixpoint

- Blocked clauses stay blocked w.r.t. removal

BCE very effective on circuits [JärvisaloBiereHeule'10]

BCE converts the Tseitin encoding to Plaisted Greenbaum
BCE simulates Pure literal elimination, Cone of influence, etc.

Example of circuit simplification by BCE on Tseitin encoding

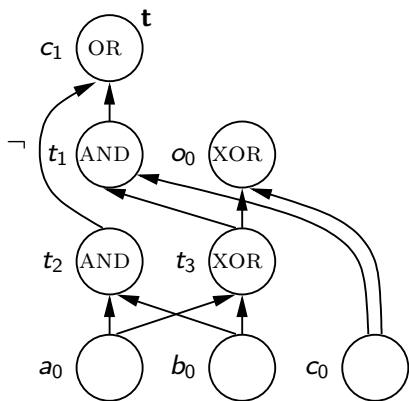


BCE very effective on circuits [JärvisaloBiereHeule'10]

BCE converts the Tseitin encoding to Plaisted Greenbaum
BCE simulates Pure literal elimination, Cone of influence, etc.

Example of circuit simplification by BCE on Tseitin encoding

(c_1)	$(t_1 \vee \bar{t}_3 \vee \bar{c}_0)$
	$(\bar{t}_1 \vee t_3)$
$(\bar{c}_1 \vee t_1 \vee \bar{t}_2)$	$(\bar{t}_1 \vee c_0)$
$(c_1 \vee \bar{t}_1)$	$(t_2 \vee \bar{a}_0 \vee \bar{b}_0)$
$(c_1 \vee t_2)$	$(\bar{t}_2 \vee a_0)$
	$(\bar{t}_2 \vee b_0)$
$(\bar{o}_0 \vee t_3 \vee c_0)$	$(\bar{t}_3 \vee a_0 \vee b_0)$
$(\bar{o}_0 \vee \bar{t}_3 \vee \bar{c}_0)$	$(\bar{t}_3 \vee \bar{a}_0 \vee \bar{b}_0)$
$(o_0 \vee t_3 \vee \bar{c}_0)$	$(t_3 \vee a_0 \vee \bar{b}_0)$
$(o_0 \vee \bar{t}_3 \vee c_0)$	$(t_3 \vee \bar{a}_0 \vee b_0)$

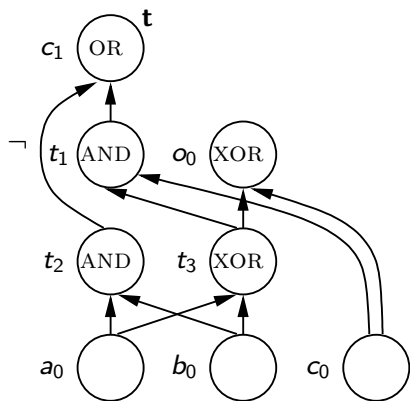


BCE very effective on circuits [JärvisaloBiereHeule'10]

BCE converts the Tseitin encoding to Plaisted Greenbaum
BCE simulates Pure literal elimination, Cone of influence, etc.

Example of circuit simplification by BCE on Tseitin encoding

(c_1)	$(t_1 \vee \bar{t}_3 \vee \bar{c}_0)$
$(\bar{c}_1 \vee t_1 \vee \bar{t}_2)$	$(\bar{t}_1 \vee t_3)$
$(c_1 \vee \bar{t}_1)$	$(\bar{t}_1 \vee c_0)$
$(c_1 \vee t_2)$	$(t_2 \vee \bar{a}_0 \vee \bar{b}_0)$
$(\bar{o}_0 \vee t_3 \vee c_0)$	$(\bar{t}_2 \vee a_0)$
$(\bar{o}_0 \vee \bar{t}_3 \vee \bar{c}_0)$	$(\bar{t}_2 \vee b_0)$
$(o_0 \vee t_3 \vee \bar{c}_0)$	$(\bar{t}_3 \vee a_0 \vee b_0)$
$(o_0 \vee \bar{t}_3 \vee c_0)$	$(\bar{t}_3 \vee \bar{a}_0 \vee \bar{b}_0)$
	$(t_3 \vee a_0 \vee \bar{b}_0)$
	$(t_3 \vee \bar{a}_0 \vee b_0)$

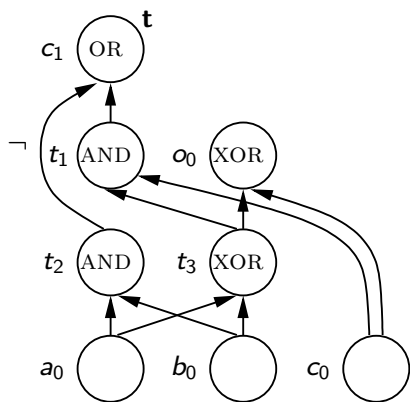


BCE very effective on circuits [JärvisaloBiereHeule'10]

BCE converts the Tseitin encoding to Plaisted Greenbaum
BCE simulates Pure literal elimination, Cone of influence, etc.

Example of circuit simplification by BCE on Tseitin encoding

(c_1)	$(t_1 \vee \bar{t}_3 \vee \bar{c}_0)$
$(\bar{c}_1 \vee t_1 \vee \bar{t}_2)$	$(\bar{t}_1 \vee t_3)$
$(c_1 \vee \bar{t}_1)$	$(\bar{t}_1 \vee c_0)$
$(c_1 \vee t_2)$	$(t_2 \vee \bar{a}_0 \vee \bar{b}_0)$
$(\bar{a}_0 \vee t_3 \vee c_0)$	$(\bar{t}_2 \vee a_0)$
$(\bar{a}_0 \vee \bar{t}_3 \vee \bar{c}_0)$	$(\bar{t}_2 \vee b_0)$
$(a_0 \vee t_3 \vee \bar{c}_0)$	$(\bar{t}_3 \vee a_0 \vee b_0)$
$(a_0 \vee \bar{t}_3 \vee c_0)$	$(\bar{t}_3 \vee \bar{a}_0 \vee \bar{b}_0)$
	$(t_3 \vee a_0 \vee \bar{b}_0)$
	$(t_3 \vee \bar{a}_0 \vee b_0)$

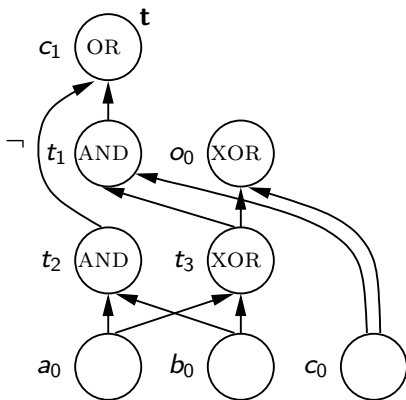


BCE very effective on circuits [JärvisaloBiereHeule'10]

BCE converts the Tseitin encoding to Plaisted Greenbaum
BCE simulates Pure literal elimination, Cone of influence, etc.

Example of circuit simplification by BCE on Tseitin encoding

(c_1)	$(t_1 \vee \bar{t}_3 \vee \bar{c}_0)$
	$(\bar{t}_1 \vee t_3)$
	$(\bar{t}_1 \vee c_0)$
$(\bar{c}_1 \vee t_1 \vee \bar{t}_2)$	
$(c_1 \vee \bar{t}_1)$	$(t_2 \vee \bar{a}_0 \vee \bar{b}_0)$
$(c_1 \vee t_2)$	$(\bar{t}_2 \vee a_0)$
	$(\bar{t}_2 \vee b_0)$
$(\bar{a}_0 \vee t_3 \vee c_0)$	
$(\bar{a}_0 \vee \bar{t}_3 \vee \bar{c}_0)$	$(\bar{t}_3 \vee a_0 \vee b_0)$
$(a_0 \vee t_3 \vee \bar{c}_0)$	$(\bar{t}_3 \vee \bar{a}_0 \vee \bar{b}_0)$
$(a_0 \vee \bar{t}_3 \vee c_0)$	$(t_3 \vee a_0 \vee \bar{b}_0)$
	$(t_3 \vee \bar{a}_0 \vee b_0)$

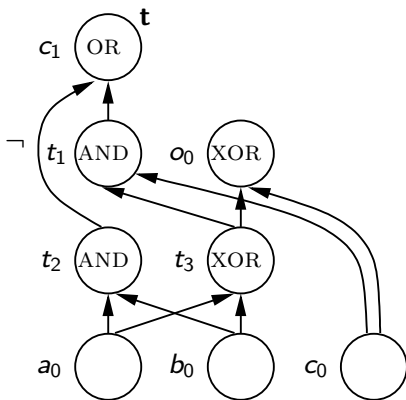


BCE very effective on circuits [JärvisaloBiereHeule'10]

BCE converts the Tseitin encoding to Plaisted Greenbaum
BCE simulates Pure literal elimination, Cone of influence, etc.

Example of circuit simplification by BCE on Tseitin encoding

(c_1)	$(t_1 \vee \bar{t}_3 \vee \bar{c}_0)$
	$(\bar{t}_1 \vee t_3)$
	$(\bar{t}_1 \vee c_0)$
$(\bar{c}_1 \vee t_1 \vee \bar{t}_2)$	
$(c_1 \vee \bar{t}_1)$	$(t_2 \vee \bar{a}_0 \vee \bar{b}_0)$
$(c_1 \vee t_2)$	$(\bar{t}_2 \vee a_0)$
	$(\bar{t}_2 \vee b_0)$
$(\bar{a}_0 \vee t_3 \vee c_0)$	
$(\bar{a}_0 \vee \bar{t}_3 \vee \bar{c}_0)$	$(\bar{t}_3 \vee a_0 \vee b_0)$
$(a_0 \vee t_3 \vee \bar{c}_0)$	$(\bar{t}_3 \vee \bar{a}_0 \vee \bar{b}_0)$
$(a_0 \vee \bar{t}_3 \vee c_0)$	$(t_3 \vee a_0 \vee \bar{b}_0)$
	$(t_3 \vee \bar{a}_0 \vee b_0)$

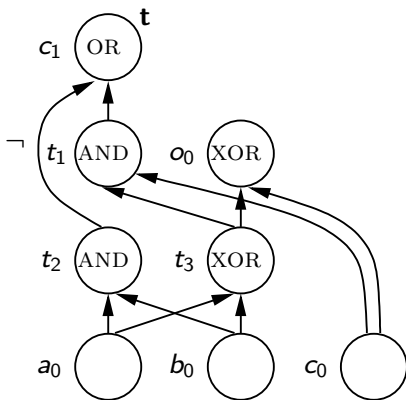


BCE very effective on circuits [JärvisaloBiereHeule'10]

BCE converts the Tseitin encoding to Plaisted Greenbaum
BCE simulates Pure literal elimination, Cone of influence, etc.

Example of circuit simplification by BCE on Tseitin encoding

(c_1)	$(t_1 \vee \bar{t}_3 \vee \bar{c}_0)$
	$(\bar{t}_1 \vee t_3)$
	$(\bar{t}_1 \vee c_0)$
$(\bar{c}_1 \vee t_1 \vee \bar{t}_2)$	
$(c_1 \vee \bar{t}_1)$	$(t_2 \vee \bar{a}_0 \vee \bar{b}_0)$
$(c_1 \vee t_2)$	$(\bar{t}_2 \vee a_0)$
	$(\bar{t}_2 \vee b_0)$
$(\bar{a}_0 \vee t_3 \vee c_0)$	
$(\bar{a}_0 \vee \bar{t}_3 \vee \bar{c}_0)$	$(\bar{t}_3 \vee a_0 \vee b_0)$
$(a_0 \vee t_3 \vee \bar{c}_0)$	$(\bar{t}_3 \vee \bar{a}_0 \vee \bar{b}_0)$
$(a_0 \vee \bar{t}_3 \vee c_0)$	$(t_3 \vee a_0 \vee \bar{b}_0)$
	$(t_3 \vee \bar{a}_0 \vee b_0)$

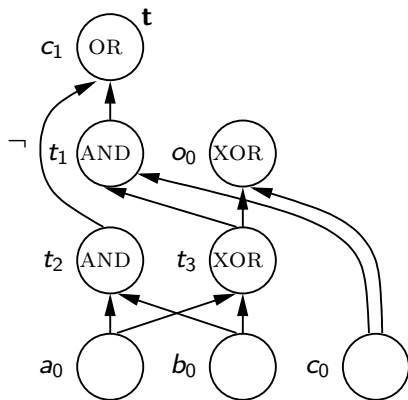


BCE very effective on circuits [JärvisaloBiereHeule'10]

BCE converts the Tseitin encoding to Plaisted Greenbaum
BCE simulates Pure literal elimination, Cone of influence, etc.

Example of circuit simplification by BCE on Tseitin encoding

(c_1)	$(t_1 \vee \bar{t}_3 \vee \bar{c}_0)$
	$(\bar{t}_1 \vee t_3)$
	$(\bar{t}_1 \vee c_0)$
$(\bar{c}_1 \vee t_1 \vee \bar{t}_2)$	
$(c_1 \vee \bar{t}_1)$	$(t_2 \vee \bar{a}_0 \vee \bar{b}_0)$
$(c_1 \vee t_2)$	$(\bar{t}_2 \vee a_0)$
	$(\bar{t}_2 \vee b_0)$
$(\bar{o}_0 \vee t_3 \vee c_0)$	
$(\bar{o}_0 \vee \bar{t}_3 \vee \bar{c}_0)$	$(\bar{t}_3 \vee a_0 \vee b_0)$
$(o_0 \vee t_3 \vee \bar{c}_0)$	$(\bar{t}_3 \vee \bar{a}_0 \vee \bar{b}_0)$
$(o_0 \vee \bar{t}_3 \vee c_0)$	$(t_3 \vee a_0 \vee \bar{b}_0)$
	$(t_3 \vee \bar{a}_0 \vee b_0)$

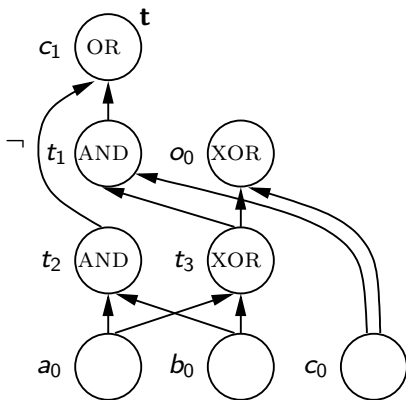


BCE very effective on circuits [JärvisaloBiereHeule'10]

BCE converts the Tseitin encoding to Plaisted Greenbaum
BCE simulates Pure literal elimination, Cone of influence, etc.

Example of circuit simplification by BCE on Tseitin encoding

(c_1)	$(t_1 \vee \bar{t}_3 \vee \bar{c}_0)$
$(\bar{c}_1 \vee t_1 \vee \bar{t}_2)$	$(\bar{t}_1 \vee t_3)$
$(c_1 \vee \bar{t}_1)$	$(\bar{t}_1 \vee c_0)$
$(c_1 \vee t_2)$	$(t_2 \vee \bar{a}_0 \vee \bar{b}_0)$
$(\bar{o}_0 \vee t_3 \vee c_0)$	$(\bar{t}_2 \vee a_0)$
$(\bar{o}_0 \vee \bar{t}_3 \vee \bar{c}_0)$	$(\bar{t}_2 \vee b_0)$
$(o_0 \vee t_3 \vee \bar{c}_0)$	$(\bar{t}_3 \vee a_0 \vee b_0)$
$(o_0 \vee \bar{t}_3 \vee c_0)$	$(\bar{t}_3 \vee \bar{a}_0 \vee \bar{b}_0)$
	$(t_3 \vee a_0 \vee \bar{b}_0)$
	$(t_3 \vee \bar{a}_0 \vee b_0)$

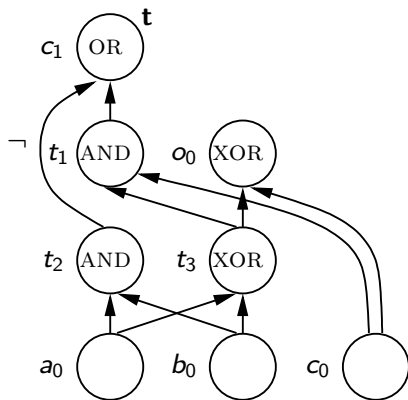


BCE very effective on circuits [JärvisaloBiereHeule'10]

BCE converts the Tseitin encoding to Plaisted Greenbaum
BCE simulates Pure literal elimination, Cone of influence, etc.

Example of circuit simplification by BCE on Tseitin encoding

(c_1)	$(t_1 \vee \bar{t}_3 \vee \bar{c}_0)$
$(\bar{c}_1 \vee t_1 \vee \bar{t}_2)$	$(\bar{t}_1 \vee t_3)$
$(c_1 \vee \bar{t}_1)$	$(\bar{t}_1 \vee c_0)$
$(c_1 \vee t_2)$	$(t_2 \vee \bar{a}_0 \vee \bar{b}_0)$
$(\bar{o}_0 \vee t_3 \vee c_0)$	$(\bar{t}_2 \vee a_0)$
$(\bar{o}_0 \vee \bar{t}_3 \vee \bar{c}_0)$	$(\bar{t}_2 \vee b_0)$
$(o_0 \vee t_3 \vee \bar{c}_0)$	$(\bar{t}_3 \vee a_0 \vee b_0)$
$(o_0 \vee \bar{t}_3 \vee c_0)$	$(\bar{t}_3 \vee \bar{a}_0 \vee \bar{b}_0)$
	$(t_3 \vee a_0 \vee \bar{b}_0)$
	$(t_3 \vee \bar{a}_0 \vee b_0)$

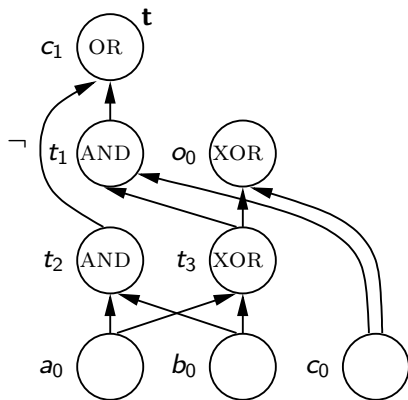


BCE very effective on circuits [JärvisaloBiereHeule'10]

BCE converts the Tseitin encoding to Plaisted Greenbaum
BCE simulates Pure literal elimination, Cone of influence, etc.

Example of circuit simplification by BCE on Tseitin encoding

(c_1)	$(t_1 \vee \bar{t}_3 \vee \bar{c}_0)$
$(\bar{c}_1 \vee t_1 \vee \bar{t}_2)$	$(\bar{t}_1 \vee t_3)$
$(c_1 \vee \bar{t}_1)$	$(\bar{t}_1 \vee c_0)$
$(c_1 \vee t_2)$	$(t_2 \vee \bar{a}_0 \vee \bar{b}_0)$
$(\bar{a}_0 \vee t_3 \vee c_0)$	$(\bar{t}_2 \vee a_0)$
$(\bar{a}_0 \vee \bar{t}_3 \vee \bar{c}_0)$	$(\bar{t}_2 \vee b_0)$
$(a_0 \vee t_3 \vee \bar{c}_0)$	$(\bar{t}_3 \vee a_0 \vee b_0)$
$(a_0 \vee \bar{t}_3 \vee c_0)$	$(\bar{t}_3 \vee \bar{a}_0 \vee \bar{b}_0)$
	$(t_3 \vee a_0 \vee \bar{b}_0)$
	$(t_3 \vee \bar{a}_0 \vee b_0)$

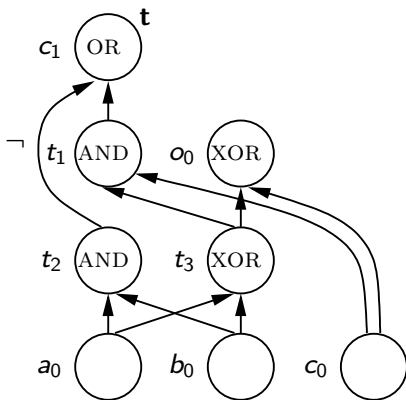


BCE very effective on circuits [JärvisaloBiereHeule'10]

BCE converts the Tseitin encoding to Plaisted Greenbaum
BCE simulates Pure literal elimination, Cone of influence, etc.

Example of circuit simplification by BCE on Tseitin encoding

(c_1)	$(t_1 \vee \bar{t}_3 \vee \bar{c}_0)$
$(\bar{c}_1 \vee t_1 \vee \bar{t}_2)$	$(\bar{t}_1 \vee t_3)$
$(c_1 \vee \bar{t}_1)$	$(\bar{t}_1 \vee c_0)$
$(c_1 \vee t_2)$	$(t_2 \vee \bar{a}_0 \vee \bar{b}_0)$
$(\bar{o}_0 \vee t_3 \vee c_0)$	$(\bar{t}_2 \vee a_0)$
$(\bar{o}_0 \vee \bar{t}_3 \vee \bar{c}_0)$	$(\bar{t}_2 \vee b_0)$
$(o_0 \vee t_3 \vee \bar{c}_0)$	$(\bar{t}_3 \vee a_0 \vee b_0)$
$(o_0 \vee \bar{t}_3 \vee c_0)$	$(\bar{t}_3 \vee \bar{a}_0 \vee \bar{b}_0)$
	$(t_3 \vee a_0 \vee \bar{b}_0)$
	$(t_3 \vee \bar{a}_0 \vee b_0)$



BCE: Solution Reconstruction

Input:

- stack S of eliminated blocked clauses
- formula F (without the blocked clauses)
- assignment α that satisfies F

Output: an assignment that satisfies $F \wedge S$

```
1: while S.size () do  
2:    $\langle C, l \rangle :=$  S.pop ()  
3:   if  $\alpha$  falsifies  $C$  then  $\alpha := \alpha_l$   
4: end while  
5: return  $\alpha$ 
```

Motivation

Subsumption

Variable Elimination

Bounded Variable Addition

Blocked Clause Elimination

Hyper Binary Resolution

Unhiding Redundancy

Concluding Remarks

Hyper Binary Resolution [Bacchus-AAAI02]

Definition (Hyper Binary Resolution Rule)

$$\frac{(x \vee x_1 \vee x_2 \vee \dots \vee x_n) \quad (\bar{x}_1 \vee x') \quad (\bar{x}_2 \vee x') \quad \dots \quad (\bar{x}_n \vee x')}{(x \vee x')}$$

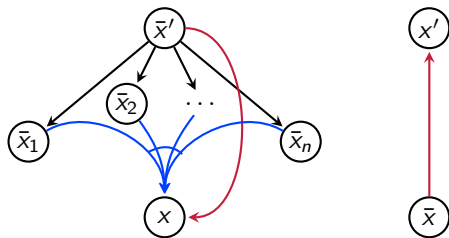
binary edge



hyper edge



hyper binary edge



Hyper Binary Resolution Rule:

- combines multiple resolution steps into one
- uses one n-ary clauses and multiple binary clauses
- special case *hyper unary resolution* where $x = x'$

Hyper Binary Resolution (HBR)

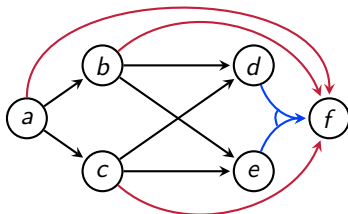
Definition (Hyper Binary Resolution)

Apply the hyper binary resolution rule until fixpoint

Example

Consider

$$(\bar{a} \vee b) \wedge (\bar{a} \vee c) \wedge (\bar{b} \vee d) \wedge (\bar{b} \vee e) \wedge (\bar{c} \vee d) \wedge (\bar{c} \vee e) \wedge (\bar{d} \vee \bar{e} \vee f).$$



hyper binary resolvents:
 $(\bar{a} \vee f), (\bar{b} \vee f), (\bar{c} \vee f)$

HBR is confluent, i.e., has a unique fixpoint

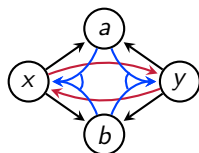
Structural Hashing of AND-gates via HBR

gate g	$g \Rightarrow f(g_1, \dots, g_n)$ "positive"	$g \Leftarrow f(g_1, \dots, g_n)$ "negative"
$g := \text{OR}(g_1, \dots, g_n)$	$(\bar{g} \vee g_1 \vee \dots \vee g_n)$	$(g \vee \bar{g}_1), \dots, (g \vee \bar{g}_n)$
$g := \text{AND}(g_1, \dots, g_n)$	$(\bar{g} \vee g_1), \dots, (\bar{g} \vee g_n)$	$(g \vee \bar{g}_1 \vee \dots \vee \bar{g}_n)$
$g := \text{XOR}(g_1, g_2)$	$(\bar{g} \vee \bar{g}_1 \vee \bar{g}_2), (\bar{g} \vee g_1 \vee g_2)$	$(g \vee \bar{g}_1 \vee g_2), (g \vee g_1 \vee \bar{g}_2)$
$g := \text{ITE}(g_1, g_2, g_3)$	$(\bar{g} \vee \bar{g}_1 \vee g_2), (\bar{g} \vee g_1 \vee g_3)$	$(g \vee \bar{g}_1 \vee \bar{g}_2), (g \vee g_1 \vee \bar{g}_3)$

Definition (Structural Hashing of AND-gates)

Given a Boolean circuit with two equivalent gates, merge the gates.

Example



$$x = \text{AND}(a,b) : (\bar{x} \vee a) \wedge (\bar{x} \vee b) \wedge (x \vee \bar{a} \vee \bar{b})$$

$$y = \text{AND}(a,b) : (\bar{y} \vee a) \wedge (\bar{y} \vee b) \wedge (y \vee \bar{a} \vee \bar{b})$$

the two HBRs $(\bar{x} \vee y)$ and $(x \vee \bar{y})$ express that $x = y$

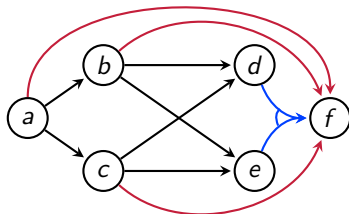
Non-transitive Hyper Binary Resolution (NHBR)

A problem with classic HBR is that it adds many **transitive** binary clauses

Example

Consider

$$(\bar{a} \vee b) \wedge (\bar{a} \vee c) \wedge (\bar{b} \vee d) \wedge (\bar{b} \vee e) \wedge (\bar{c} \vee d) \wedge (\bar{c} \vee e) \wedge (\bar{d} \vee \bar{e} \vee f).$$



adding $(\bar{b} \vee f)$ or $(\bar{c} \vee f)$
makes $(\bar{a} \vee f)$ transitive

Solution [HeuleJärvisaloBiere 2013]

Add only non-transitive hyper binary resolvents

Can be implemented using an alternative unit propagation style

Space Complexity of NHBR: Quadratic

Question regarding complexity [Biere 2009]

- Are there formulas where the transitively reduced hyper binary resolution closure is quadratic in size w.r.t. to the size of the original?
- where size = #clauses or size = #literals or size = #variables

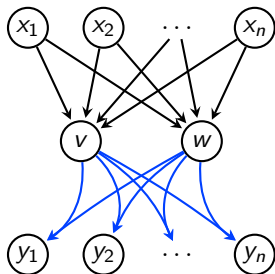
Space Complexity of NHBR: Quadratic

Question regarding complexity [Biere 2009]

- Are there formulas where the transitively reduced hyper binary resolution closure is quadratic in size w.r.t. to the size of the original?
- where size = #clauses or size = #literals or size = #variables

Yes!

Consider the formula $F_n = \bigwedge_{1 \leq i \leq n} ((\bar{x}_i \vee v) \wedge (\bar{x}_i \vee w) \wedge (\bar{v} \vee \bar{w} \vee y_i))$



#variables: $2n + 2$

#clauses: $3n$

#literals: $7n$

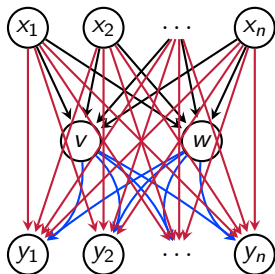
Space Complexity of NHBR: Quadratic

Question regarding complexity [Biere 2009]

- Are there formulas where the transitively reduced hyper binary resolution closure is quadratic in size w.r.t. to the size of the original?
- where size = #clauses or size = #literals or size = #variables

Yes!

Consider the formula $F_n = \bigwedge_{1 \leq i \leq n} ((\bar{x}_i \vee v) \wedge (\bar{x}_i \vee w) \wedge (\bar{v} \vee \bar{w} \vee y_i))$



#variables: $2n + 2$

#clauses: $3n$

#literals: $7n$

n^2 hyper binary resolvents:

$(\bar{x}_i \vee y_j)$ for $1 \leq i, j \leq n$

Motivation

Subsumption

Variable Elimination

Bounded Variable Addition

Blocked Clause Elimination

Hyper Binary Resolution

Unhiding Redundancy

Concluding Remarks

Redundancy

Redundant clauses:

- Removal of $C \in F$ preserves unsatisfiability of F
- Assign all $x \in C$ to false and check for a conflict in $F \setminus \{C\}$

Redundancy

Redundant clauses:

- Removal of $C \in F$ preserves unsatisfiability of F
- Assign all $x \in C$ to false and check for a conflict in $F \setminus \{C\}$

Redundant literals:

- Removal of $x \in C$ preserves satisfiability of F
- Assign all $x' \in C \setminus \{x\}$ to false and check for a conflict in F

Redundancy

Redundant clauses:

- Removal of $C \in F$ preserves unsatisfiability of F
- Assign all $x \in C$ to false and check for a conflict in $F \setminus \{C\}$

Redundant literals:

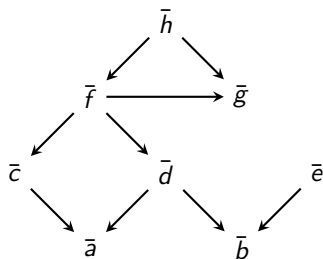
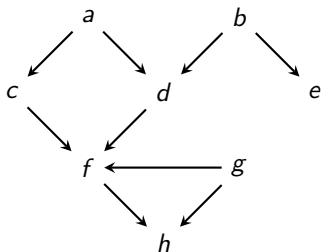
- Removal of $x \in C$ preserves satisfiability of F
- Assign all $x' \in C \setminus \{x\}$ to false and check for a conflict in F

Redundancy elimination during pre- and in-processing

- Distillation [JinSomenzi2005]
- ReVivAl [PietteHamadiSaïs2008]
- Unhiding [HeuleJärvisaloBiere2011]

Unhide: Binary implication graph (BIG)

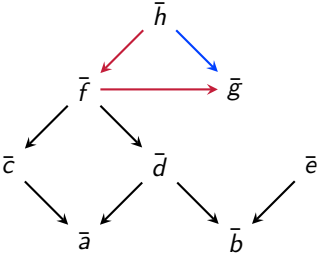
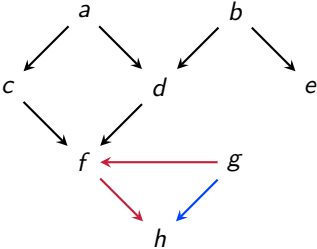
unhide: use the binary clauses to detect redundant clauses and literals



$$\begin{aligned} &(\bar{a} \vee c) \wedge (\bar{a} \vee d) \wedge (\bar{b} \vee d) \wedge (\bar{b} \vee e) \wedge \\ &(\bar{c} \vee f) \wedge (\bar{d} \vee f) \wedge (\bar{g} \vee f) \wedge (\bar{f} \vee h) \wedge \\ &(\bar{g} \vee h) \wedge \underbrace{(\bar{a} \vee \bar{e} \vee h) \wedge (\bar{b} \vee \bar{c} \vee h) \wedge (a \vee b \vee c \vee d \vee e \vee f \vee g \vee h)}_{\text{non binary clauses}} \end{aligned}$$

Unhide: Transitive reduction (TRD)

transitive reduction: remove shortcuts in the binary implication graph



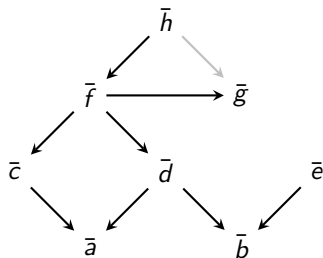
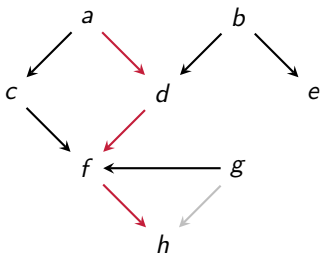
$$\begin{aligned}
 & (\bar{a} \vee c) \wedge (\bar{a} \vee d) \wedge (\bar{b} \vee d) \wedge (\bar{b} \vee e) \wedge \\
 & (\bar{c} \vee f) \wedge (\bar{d} \vee f) \wedge (\bar{g} \vee f) \wedge (\bar{f} \vee h) \wedge \\
 & (\bar{g} \vee h) \wedge (\bar{a} \vee \bar{e} \vee h) \wedge (\bar{b} \vee \bar{c} \vee h) \wedge (a \vee b \vee c \vee d \vee e \vee f \vee g \vee h)
 \end{aligned}$$

TRD

$$g \rightarrow f \rightarrow h$$

Unhide: Hidden tautology elimination (HTE) (1)

HTE removes clauses that are subsumed by an implication in BIG



$$(\bar{a} \vee c) \wedge (\bar{a} \vee d) \wedge (\bar{b} \vee d) \wedge (\bar{b} \vee e) \wedge$$

$$(\bar{c} \vee f) \wedge (\bar{d} \vee f) \wedge (\bar{g} \vee f) \wedge (\bar{f} \vee h) \wedge$$

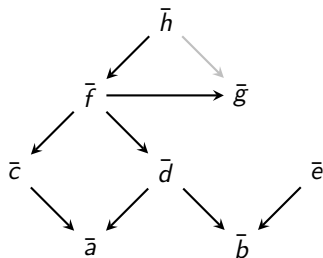
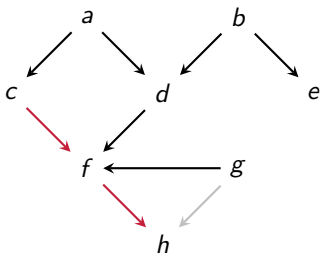
$$(\bar{a} \vee \bar{e} \vee h) \wedge (\bar{b} \vee \bar{c} \vee h) \wedge (a \vee b \vee c \vee d \vee e \vee f \vee g \vee h)$$

HTE

$$a \rightarrow d \rightarrow f \rightarrow h$$

Unhide: Hidden tautology elimination (HTE) (2)

HTE removes clauses that are subsumed by an implication in BIG



$$(\bar{a} \vee c) \wedge (\bar{a} \vee d) \wedge (\bar{b} \vee d) \wedge (\bar{b} \vee e) \wedge$$

$$(\bar{c} \vee f) \wedge (\bar{d} \vee f) \wedge (\bar{g} \vee f) \wedge (\bar{f} \vee h) \wedge$$

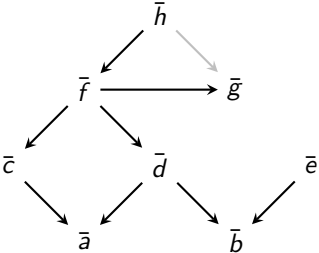
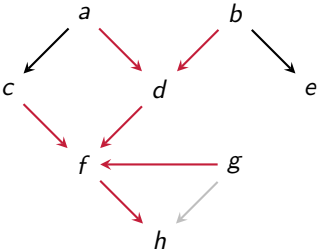
$$(\bar{b} \vee \bar{c} \vee h) \wedge (a \vee b \vee c \vee d \vee e \vee f \vee g \vee h)$$

HTE

$$c \rightarrow f \rightarrow h$$

Unhide: Hidden literal elimination (HLE)

HLE removes literal using the implication in BIG



$$(\bar{a} \vee c) \wedge (\bar{a} \vee d) \wedge (\bar{b} \vee d) \wedge (\bar{b} \vee e) \wedge$$

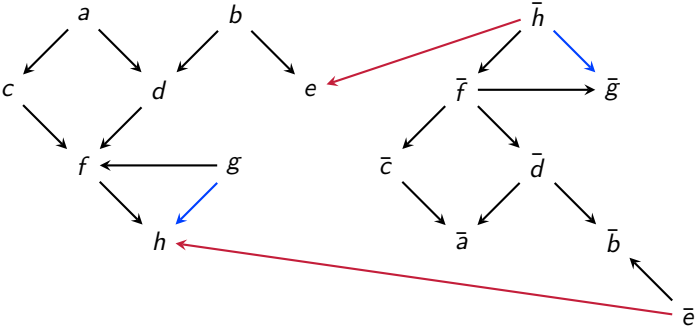
$$(\bar{c} \vee f) \wedge (\bar{d} \vee f) \wedge (\bar{g} \vee f) \wedge (\bar{f} \vee h) \wedge$$

$$(\bar{a} \vee \bar{b} \vee \bar{c} \vee \bar{d} \vee e \vee \bar{f} \vee \bar{g} \vee h)$$

HLE
 all but e imply h
 also b implies e

Unhide: TRD + HTE + HLE

unhide: redundancy elimination removes and adds arcs from BIG(F)



$$(\bar{a} \vee c) \wedge (\bar{a} \vee d) \wedge (\bar{b} \vee d) \wedge (\bar{b} \vee e) \wedge \\
 (\bar{c} \vee f) \wedge (\bar{d} \vee f) \wedge (\bar{g} \vee f) \wedge (\bar{f} \vee h) \wedge (e \vee h)$$

Motivation

Subsumption

Variable Elimination

Bounded Variable Addition

Blocked Clause Elimination

Hyper Binary Resolution

Unhiding Redundancy

Concluding Remarks

Many Techniques

Many pre- or in-processing techniques in SAT solvers:

- (Self-)Subsumption
- Variable Elimination
- Blocked Clause Elimination
- Hyper Binary Resolution
- Bounded Variable Addition
- Equivalent Literal Substitution
- Failed Literal Elimination
- Autarky Reasoning
- ...

Many Techniques

Many pre- or in-processing techniques in SAT solvers:

- (Self-)Subsumption
- Variable Elimination
- Blocked Clause Elimination
- Hyper Binary Resolution
- Bounded Variable Addition
- Equivalent Literal Substitution
- Failed Literal Elimination
- Autarky Reasoning
- ...

... and the list is growing:

- Propagation Redundant Clauses [CADE'17]

Preprocessing Techniques

Marijn J.H. Heule

**Carnegie
Mellon
University**

<http://www.cs.cmu.edu/~mheule/15816-f19/>

Automated Reasoning and Satisfiability, September 19, 2019