

Principles of Software Construction: Objects, Design, and Concurrency (Part 2: Designing (Sub-)Systems)

More Analysis for Functional Correctness

Jonathan Aldrich Charlie Garrod

Learning Goals

- Integrating unit testing into the development process
- Understanding and applying coverage metrics to approximate test suite quality; awareness of the limitations
- Basic understanding of the mechanisms and limitations of static analysis tools
- Characterizing assurance techniques in terms of soundness and completeness

Correctness?

NCR

A problem has been detected and windows has been shut down to prevent damage to your computer.

PAGE_FAULT_IN_NONPAGED_AREA

If this is the first time you've seen this Stop error screen, restart your computer. If this screen appears again, follow these steps:

Check to make sure any new hardware or software is properly installed. If this is a new installation, ask your hardware or software manufacturer for any windows updates you might need.

If problems continue, disable or remove any newly installed hardware or software. Disable BIOS memory options such as caching or shadowing. If you need to use Safe Mode to remove or disable components, restart your computer, press F8 to select Advanced startup options, and then select Safe Mode.

Technical information:

*** STOP: 0x00000050 (0x800005F2, 0x00000000, 0x804E83C8, 0x00000000)

Beginning dump of physical memory
Physical memory dump complete.

Contact your system administrator or technical support group for further assistance.

1 2 ABC 3 DEF CANCEL

GHI JKL MNO CLEAR

Software Errors

- Functional errors
- Performance errors
- Deadlock
- Race conditions
- Boundary errors
- Buffer overflow
- Integration errors
- Usability errors
- Robustness errors
- Load errors
- Design defects
- Versioning and configuration errors
- Hardware errors
- State management errors
- Metadata errors
- Error-handling errors
- User interface errors
- API usage errors
- ...

Reminder: Functional Correctness

- The compiler ensures that the types are correct (type checking)
 - Prevents “Method Not Found” and “Cannot add Boolean to Int” errors at runtime
- Static analysis tools (e.g., FindBugs) recognize certain common problems
 - Warns on possible NullPointerExceptions or forgetting to close files
- How to ensure functional correctness of contracts beyond?

Formal Verification

- Proving the correctness of an implementation with respect to a formal specification, using formal methods of mathematics.
- Formally prove that all possible executions of an implementation fulfill the specification
- Manual effort; partial automation; not automatically decidable

Testing

- Executing the program with selected inputs in a controlled environment (dynamic analysis)
- Goals:
 - Reveal bugs (main goal)
 - Assess quality (hard to quantify)
 - Clarify the specification, documentation
 - Verify contracts

**"Testing shows the presence,
not the absence of bugs**

Edsger W. Dijkstra 1969

Testing Decisions

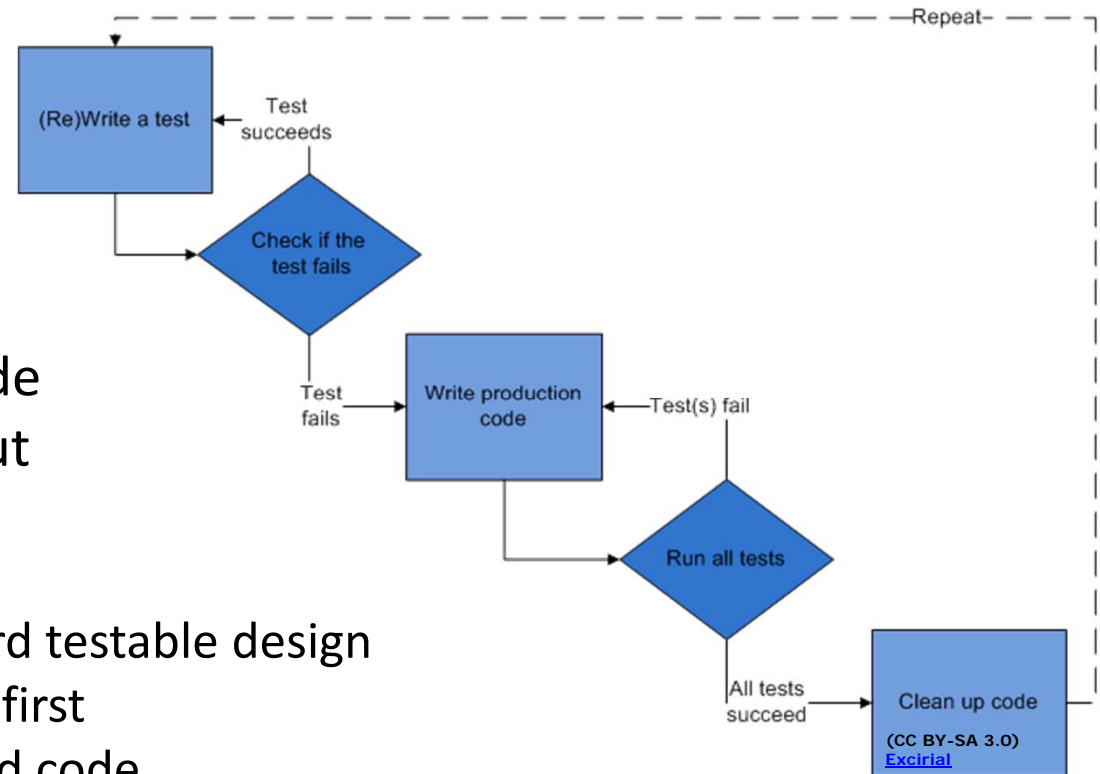
- Who tests?
 - Developers
 - Other Developers
 - Separate Quality Assurance Team
 - Customers
- **When to test?**
 - Before development
 - During development
 - After milestones
 - Before shipping
- **When to stop testing?**

(More in 15-313)

TEST-DRIVEN DEVELOPMENT

Test Driven Development

- Tests first!
- Popular agile technique
- Write tests as specifications before code
- Never write code without a failing test
- Claims:
 - Design approach toward testable design
 - Think about interfaces first
 - Avoid writing unneeded code
 - Higher product quality (e.g. better code, less defects)
 - Higher test suite quality
 - Higher overall productivity



Discussion: Testing in Practice

- Empirical studies on TDD
 - Likely more effort
 - Maybe improves quality and saves time overall
- Selective use of TDD
- Testing strategies: often ad-hoc
- Knowing when you are done

TEST COVERAGE

How much testing?

- Cannot test all inputs
 - too many, usually infinite
- What makes a good test suite?
- When to stop testing?
- How much to invest in testing?

Blackbox: Random Inputs

- Try random inputs, many of them
 - Observe whether system crashes (exceptions, assertions)
 - Try more random inputs, many more
- Successful in certain domains (parsers, network issues, ...)
 - But, many tests execute similar paths
 - But, often finds only superficial errors
 - Can be improved by guiding random selection with additional information (domain knowledge or extracted from source)

Blackbox: Covering Specifications

- Looking at specifications, not code:
- Test representative case
- Test boundary condition
- Test exception conditions
- (Test invalid case)

Textual Specification

`public int read(byte[] b, int off, int len) throws IOException`

- Reads up to len bytes of data from the input stream into an array of bytes. An attempt is made to read as many as len bytes, but a smaller number may be read. The number of bytes actually read is returned as an integer. This method blocks until input data is available, end of file is detected, or an exception is thrown.
 - If len is zero, then no bytes are read and 0 is returned; otherwise, there is an attempt to read at least one byte. If no byte is available because the stream is at end of file, the value -1 is returned; otherwise, at least one byte is read and stored into b.
 - The first byte read is stored into element b[off], the next one into b[off+1], and so on. The number of bytes read is, at most, equal to len. Let k be the number of bytes actually read; these bytes will be stored in elements b[off] through b[off+k-1], leaving elements b[off+k] through b[off+len-1] unaffected.
 - In every case, elements b[0] through b[off] and elements b[off+len] through b[b.length-1] are unaffected.
- Throws:
 - `IOException` - If the first byte cannot be read for any reason other than end of file, or if the input stream has been closed, or if some other I/O error occurs.
 - `NullPointerException` - If b is null.
 - `IndexOutOfBoundsException` - If off is negative, len is negative, or len is greater than b.length - off

Structural Analysis of System under Test

- Organized according to program decision structure

```
public static int binsrch (int[] a, int key) {  
  
    int low = 0;  
    int high = a.length - 1;  
  
    while (true) {  
  
        if ( low > high ) return -(low+1);  
  
        int mid = (low+high) / 2;  
  
        if ( a[mid] < key ) low = mid + 1;  
        else if ( a[mid] > key ) high = mid - 1;  
        else return mid;  
  
    }  
}
```

• Will this statement get executed in a test?
• Does it return the correct result?

return -(low+1);

return mid;

• Could this array index be out of bounds?

• Does this return statement ever get reached?

Whitebox testing

Method Coverage

- Trying to execute each method as part of at least one test

```
38     }
39     public boolean equals(Object anObject) {
40         if (isZero())
41             if (anObject instanceof IMoney)
42                 return ((IMoney)anObject).isZero();
43         if (anObject instanceof Money) {
44             Money aMoney= (Money)anObject;
45             return aMoney.currency().equals(currency())
46                 && amount() == aMoney.amount();
47         }
48         return false;
49     }
50     public int hashCode() {
```

- Does this guarantee correctness?

Statement Coverage

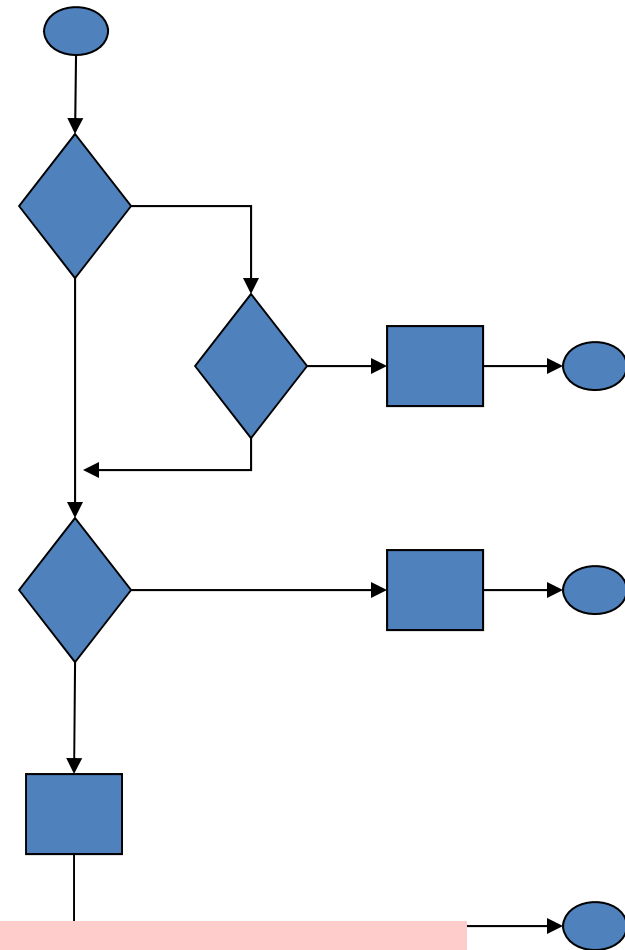
- Trying to test all parts of the implementation
- Execute every statement in at least one test

```
38     }
39     public boolean equals(Object anObject) {
40         if (isZero())
41             if (anObject instanceof IMoney)
42                 return ((IMoney)anObject).isZero();
43         if (anObject instanceof Money) {
44             Money aMoney= (Money)anObject;
45             return aMoney.currency().equals(currency())
46                 && amount() == aMoney.amount();
47         }
48         return false;
49     }
50     public int hashCode() {
```

- Does this guarantee correctness?

Structure of Code Fragment to Test

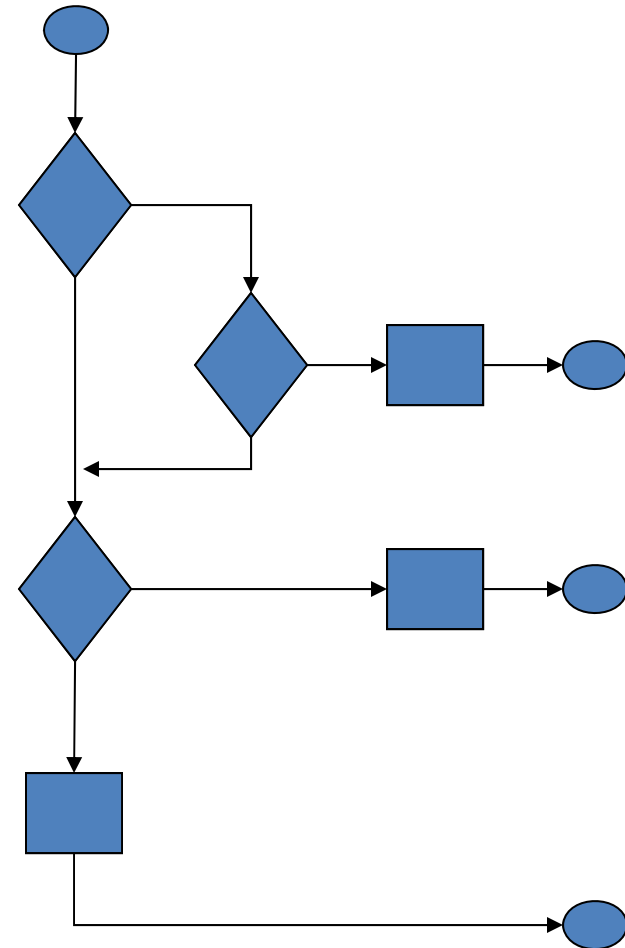
```
38 }
39 public boolean equals(Object anObject) {
40     if (isZero())
41         if (anObject instanceof IMoney)
42             return ((IMoney)anObject).isZero();
43     if (anObject instanceof Money) {
44         Money aMoney= (Money)anObject;
45         return aMoney.currency().equals(currency())
46             && amount() == aMoney.amount();
47     }
48     return false;
49 }
50 public int hashCode() {
```



**Flow chart diagram for
junit.samples.money.Money.equals**

Statement Coverage

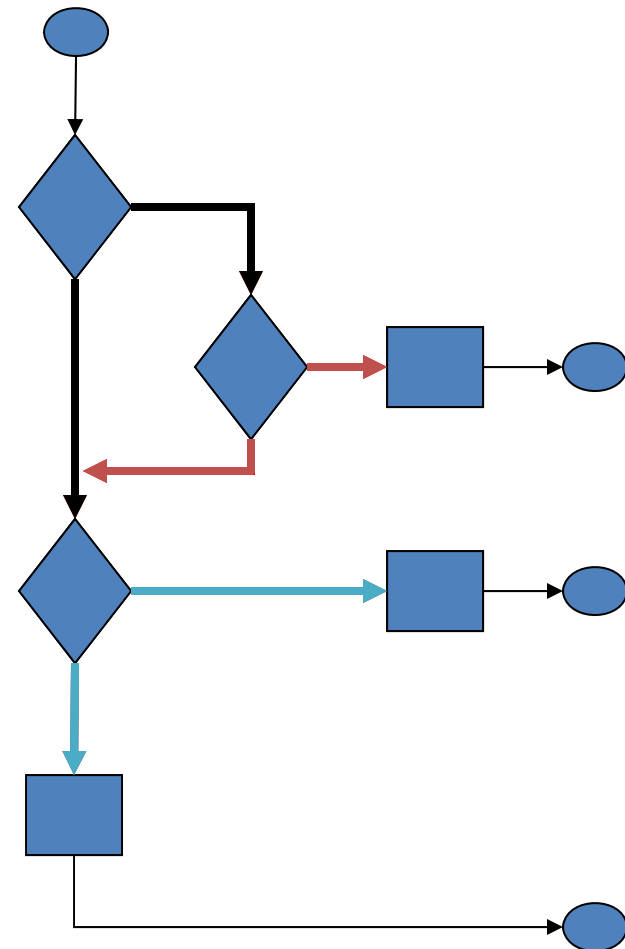
- Statement coverage
 - What portion of program statements (nodes) are touched by test cases
- Advantages
 - Test suite size linear in size of code
 - Coverage easily assessed
- Issues
 - Dead code is not reached
 - May require some sophistication to select input sets
 - Fault-tolerant error-handling code may be difficult to “touch”
 - Metric: Could create incentive to remove error handlers!



```
38 }
39 public boolean equals(Object anObject) {
40     if (isZero())
41         if (anObject instanceof IMoney)
42             return ((IMoney)anObject).isZero();
43     if (anObject instanceof Money) {
44         Money aMoney= (Money)anObject;
45         return aMoney.currency().equals(currency())
46             && amount() == aMoney.amount();
47     }
48     return false;
49 }
```

Branch Coverage

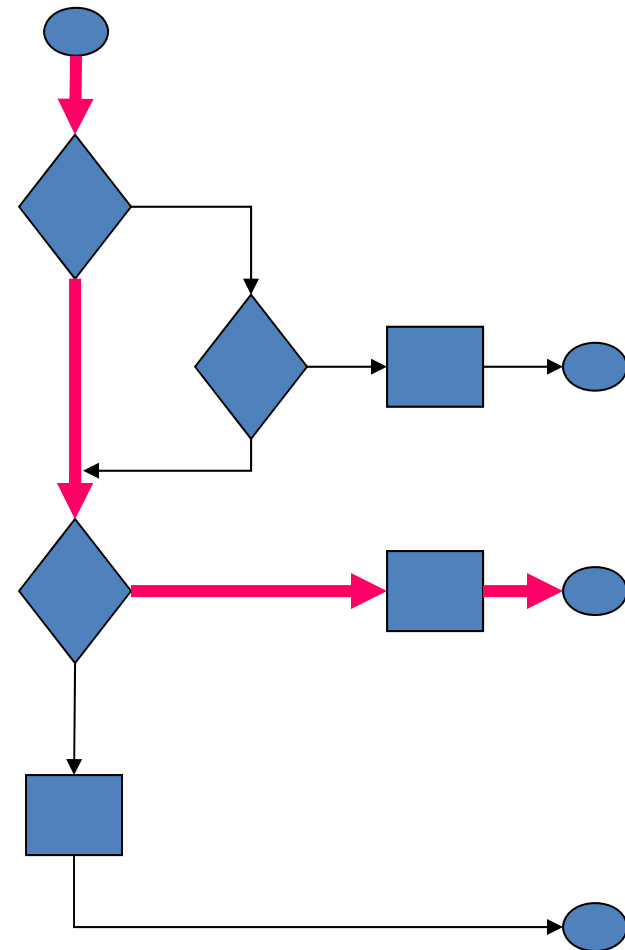
- Branch coverage
 - What portion of condition branches are covered by test cases?
 - Or: What portion of relational expressions and values are covered by test cases?
 - Condition testing (Tai)
 - Multicondition coverage – all boolean combinations of tests are covered
- Advantages
 - Test suite size and content derived from structure of boolean expressions
 - Coverage easily assessed
- Issues
 - Dead code is not reached
 - Fault-tolerant error-handling code may be difficult to “touch”



```
38 }
39 public boolean equals(Object anObject) {
40     if (isZero())
41         if (anObject instanceof IMoney)
42             return ((IMoney)anObject).isZero();
43     if (anObject instanceof Money) {
44         Money aMoney= (Money)anObject;
45         return aMoney.currency().equals(currency())
46             && amount() == aMoney.amount();
47     }
48     return false;
49 }
```

Path Coverage

- Path coverage
 - What portion of all possible paths through the program are covered by tests?
 - Loop testing: Consider representative and edge cases:
 - Zero, one, two iterations
 - If there is a bound n : $n-1$, n , $n+1$ iterations
 - Nested loops/conditionals from inside out
- Advantages
 - Better coverage of logical flows
- Disadvantages
 - Infinite number of paths
 - Not all paths are possible, or necessary
 - What are the significant paths?
 - Combinatorial explosion in cases unless careful choices are made
 - E.g., sequence of n if tests can yield up to 2^n possible paths
 - Assumption that program structure is basically sound



```
38  
39 public boolean equals(Object anObject) {  
40     if (isZero())  
41         if (anObject instanceof IMoney)  
42             return ((IMoney)anObject).isZero();  
43     if (anObject instanceof Money) {  
44         Money aMoney= (Money)anObject;  
45         return aMoney.currency().equals(currency())  
46             && amount() == aMoney.amount();  
47     }  
48     return false;  
49 }
```

Test Coverage Tooling

- Coverage assessment tools
 - Track execution of code by test cases
- Count visits to statements
 - Develop reports with respect to specific coverage criteria
 - Instruction coverage, line coverage, branch coverage
- Example: Cobertura and EclEmma for JUnit tests

The screenshot displays the Eclipse IDE interface. The main editor window shows the source code for `CursorableLinkedList.java` with various lines highlighted in green, yellow, and red, indicating different coverage levels. The bottom-right pane shows a coverage report for the package `TestAll@packages (31.10.2006 15:04:14)`.

Element	Coverage	Covered Lines	Total Lines
java - commons-collections	79,5 %	10627	13736
org.apache.commons.collections	74,1 %	3842	5183
ArrayStack.java	86,5 %	32	37
BagUtils.java	86,7 %	13	15
BeanMap.java	72,4 %	155	214
BinaryHeap.java	87,6 %	127	145
BoundedFifoBuffer.java	93,2 %	82	88
BufferOverflowException.java	55,6 %	5	9
BufferUnderflowException.java	88,9 %	8	9
BufferUtils.java	30,8 %	4	13
ClonableUtils.java	93,9 %	31	33
CollectionUtils.java	92,4 %	293	317
ComparatorUtils.java	8,6 %	3	35
CursorableLinkedList.java	85,4 %	444	520

Packages

- [All](#)
- [net.sourceforge.cobertura.ant](#)
- [net.sourceforge.cobertura.check](#)
- [net.sourceforge.cobertura.coveragedata](#)
- [net.sourceforge.cobertura.instrument](#)
- [net.sourceforge.cobertura.merge](#)
- [net.sourceforge.cobertura.reporting](#)
- [net.sourceforge.cobertura.reporting.html](#)
- [net.sourceforge.cobertura.reporting.html.files](#)
- [net.sourceforge.cobertura.reporting.xml](#)
- [net.sourceforge.cobertura.util](#)

All Packages

Classes

- [AntUtil \(88%\)](#)
- [Archive \(100%\)](#)
- [ArchiveUtil \(80%\)](#)
- [BranchCoverageData \(N/A\)](#)
- [CheckTask \(0%\)](#)
- [ClassData \(N/A\)](#)
- [ClassInstrumenter \(94%\)](#)
- [ClassPattern \(100%\)](#)
- [CoberturaFile \(73%\)](#)
- [CommandLineBuilder \(96%\)](#)
- [CommonMatchingTask \(88%\)](#)
- [ComplexityCalculator \(100%\)](#)
- [ConfigurationUtil \(50%\)](#)
- [CopyFiles \(87%\)](#)
- [CoverageData \(N/A\)](#)
- [CoverageDataContainer \(N/A\)](#)
- [CoverageDataFileHandler \(N/A\)](#)
- [CoverageRate \(0%\)](#)
- [ExcludeClasses \(100%\)](#)
- [FileFinder \(96%\)](#)
- [FileLocker \(0%\)](#)
- [FirstPassMethodInstrumenter \(100%\)](#)
- [HTMLReport \(94%\)](#)
- [HasBeenInstrumented \(N/A\)](#)
- [Header \(80%\)](#)

Coverage Report - All Packages

Package ^	# Classes	Line Coverage		Branch Coverage		Compl
All Packages	55	75%		64%		
net.sourceforge.cobertura.ant	11	52%		43%		
net.sourceforge.cobertura.check	3	0%		0%		
net.sourceforge.cobertura.coveragedata	13	N/A		N/A		
net.sourceforge.cobertura.instrument	10	90%		75%		
net.sourceforge.cobertura.merge	1	86%		88%		
net.sourceforge.cobertura.reporting	3	87%		80%		
net.sourceforge.cobertura.reporting.html	4	91%		77%		
net.sourceforge.cobertura.reporting.html.files	1	87%		62%		
net.sourceforge.cobertura.reporting.xml	1	100%		95%		
net.sourceforge.cobertura.util	9	60%		69%		
someotherpackage	1	83%		N/A		

Report generated by [Cobertura](#) 1.9 on 6/9/07 12:37 AM.

Check your understanding

- Write test cases to achieve 100% line coverage but not 100% branch coverage

```
void foo(int a, int b) {  
    if (a == b)  
        a = a * 2;  
    if (a + b > 10)  
        return a - b;  
    return a + b;  
}
```

“Coverage” is useful but also dangerous

- Examples of what coverage analysis could miss
 - Unusual paths
 - Missing code
 - Incorrect boundary values
 - Timing problems
 - Configuration issues
 - Data/memory corruption bugs
 - Usability problems
 - Customer requirements issues
- Coverage is not a good adequacy criterion
 - Instead, use to find places where testing is inadequate

Test coverage – Ideal and Real

- An Ideal Test Suite
 - Uncovers all errors in code
 - Uncovers all errors that requirements capture
 - All scenarios covered
 - Non-functional attributes: performance, code safety, security, etc.
 - Minimum size and complexity
 - Uncovers errors early in the process
- A Real Test Suite
 - Uncovers some portion of errors in code
 - Has errors of its own
 - Assists in exploratory testing for validation
 - Does not help very much with respect to non-functional attributes
 - Includes many tests inserted after errors are repaired to ensure they won't reappear

STATIC ANALYSIS

Stupid Bugs

```
public class CartesianPoint {  
    private int x, y;  
    int getX() { return this.x; }  
    int getY() { return this.y; }  
    public boolean equals(CartesianPoint that) {  
        return (this.getX() == that.getX()) &&  
            (this.getY() == that.getY());  
    }  
}
```

FindBugs

The screenshot shows an IDE window with a Java file named `CartesianPoint.java`. The code snippet is:

```
public boolean equals(CartesianPoint p) {  
    return (p.x==this.x) && (p.y==this.y);  
}
```

Below the code, the IDE displays a list of FindBugs problems. The first problem is:

- FindBugs Problem (Of concern) (1 item)
 - CartesianPoint defines equals and uses Object.hashCode()
- FindBugs Problem (Scary) (1 item)
 - CartesianPoint defines equals(CartesianPoint) method and uses Object.equals(Object)

The second problem is expanded in the `Bug Info` panel:

Bug: CartesianPoint defines equals(CartesianPoint) method and uses Object.equals(Object)

This class defines a covariant version of the `equals()` method, but inherits the normal `equals(Object)` method defined in the base `java.lang.Object` class. The class should probably define a `boolean equals(Object)` method.

Confidence: Normal, **Rank:** Scary (8)
Pattern: EQ_SELF_USE_OBJECT
Type: Eq, **Category:** CORRECTNESS (Correctness)

Stupid Subtle Bugs

```
public class Object {  
    public boolean equals(Object other) { ... }  
  
    // other methods...  
}
```

classes with no explicit superclass implicitly extend Object

```
public class CartesianPoint extends Object {  
    private int x, y;  
    int getX() { return this.x; }  
    int getY() { return this.y; }  
    public boolean equals(CartesianPoint that) {  
        return (this.getX() == that.getX()) &&  
            (this.getY() == that.getY());  
    }  
}
```

can't change argument type when overriding

This defines a different equals method, rather than overriding Object.equals()

Fixing the Bug

```
public class CartesianPoint {  
    private int x, y;  
    int getX() { return this.x; }  
    int getY() { return this.y; }  
}
```

Declare our intent to override; Compiler checks that we did it

Use the same argument type as the method we are overriding

@Override

```
public boolean equals(Object o) {  
    if (!(o instanceof CartesianPoint))  
        return false;
```

Check if the argument is a CartesianPoint. Correctly returns false if o is null

```
    CartesianPoint that = (CartesianPoint) o;
```

```
    return (this.getX() == that.getX()) &&  
           (this.getY() == that.getY());
```

Create a variable of the right type, initializing it with a cast

```
    }  
}
```

FindBugs

The screenshot shows an IDE window with a Java file named `CartesianPoint.java`. The code snippet is:

```
public boolean equals(CartesianPoint p) {  
    return (p.x==this.x) && (p.y==this.y);  
}
```

Below the code, the IDE displays a list of FindBugs problems. The first problem is:

- FindBugs Problem (Of concern) (1 item)
 - CartesianPoint defines equals and uses Object.hashCode()
- FindBugs Problem (Scary) (1 item)
 - CartesianPoint defines equals(CartesianPoint) method and uses Object.equals(Object)

The second problem is expanded in the `Bug Info` panel. It shows the following details:

- Navigation:** CartesianPoint defines equals(CartesianPoint) method and uses Object.equals(Object)
- Bug:** CartesianPoint defines equals(CartesianPoint) method and uses Object.equals(Object)
- Description:** This class defines a covariant version of the `equals()` method, but inherits the normal `equals(Object)` method defined in the base `java.lang.Object` class. The class should probably define a `boolean equals(Object)` method.
- Confidence:** Normal, **Rank:** Scary (8)
- Pattern:** EQ_SELF_USE_OBJECT
- Type:** Eq, **Category:** CORRECTNESS (Correctness)

CheckStyle

The screenshot shows an IDE window for `CartesianPoint.java`. The code is as follows:

```
public final class CartesianPoint {  
    private int X,Y;  
    CartesianPoint(int x, int y) {  
        this.X=x;  
        this.Y = y;  
    }  
    public int GetY() {  
        return Y;  
    }  
    public int getX() {  
        return X;  
    }  
}
```

The IDE's right sidebar shows the `Outlin` view with the class structure:

- CartesianPoint
 - X: int
 - Y: int

The bottom panel displays the CheckStyle error list:

0 errors, 9 warnings, 0 others

Description	Resou
▼ ⚠ Checkstyle Problem (9 items)	
⚠ ',' is not followed by whitespace.	Carte
⚠ '=' is not followed by whitespace.	Carte
⚠ '=' is not preceded with whitespace.	Carte
⚠ File contains tab characters (this is the first instance).	Carte
⚠ Name 'GetY' must match pattern <code>^[a-z][a-zA-Z0-9]*\$</code> .	Carte
⚠ Name 'X' must match pattern <code>^[a-z][a-zA-Z0-9]*\$</code> .	Carte
⚠ Name 'Y' must match pattern <code>^[a-z][a-zA-Z0-9]*\$</code> .	Carte

Static Analysis

- Analyzing code without executing it (automated inspection)
- Looks for bug patterns
- Attempts to formally verify specific aspects
- Point out typical bugs or style violations
 - NullPointerExceptions
 - Incorrect API use
 - Forgetting to close a file/connection
 - Concurrency issues
 - And many, many more (over 250 in FindBugs)
- Integrated into IDE or build process
- FindBugs and CheckStyle open source, many commercial products exist

Example FindBugs Bug Patterns

- Correct equals()
- Use of ==
- Closing streams
- Illegal casts
- Null pointer dereference
- Infinite loops
- Encapsulation problems
- Inconsistent synchronization
- Inefficient String use
- Dead store to variable

Bug finding

```
public Boolean decide() {  
    if (computeSomething()==3)  
        return Boolean.TRUE;  
    if (computeSomething()==4)  
        return false;  
    return null;  
}
```

verag History Bug Info Bug Expl

A.java: 69

Navigation

Bug: FBTest.decide() has Boolean return type and returns explicit null

A method that returns either Boolean.TRUE, Boolean.FALSE or null is an accident waiting to happen. This method can be invoked as though it returned a value of type boolean, and the compiler will insert automatic unboxing of the Boolean value. If a null value is returned, this will result in a NullPointerException.

Confidence: Normal, **Rank:** Troubling (14)

Pattern: NP_BOOLEAN_RETURN_NULL

Type: NP, **Category:** BAD_PRACTICE (Bad practice)

Improving Bug Finding Accuracy with Annotations

- **@NonNull**
- **@DefaultAnnotation(@NonNull)**
- **@CheckForNull***
- **@CheckReturnValue**
- ...

* FindBugs also provides @Nullable which allows assigning null to a variable, but unintuitively *turns off* all checks at uses of that variable

Abstract Interpretation

- Static program analysis is the **systematic examination** of an **abstraction of a program's state space**
- Abstraction
 - Don't track everything! (That's normal interpretation)
 - Track an important abstraction
- Systematic
 - Ensure everything is checked in the same way

Details on how this works in 15-313

COMPARING QUALITY ASSURANCE STRATEGIES

	Error exists	No error exists
Error Reported	True positive (correct analysis result)	False positive (annoying noise)
No Error Reported	False negative (false confidence)	True negative (correct analysis result)

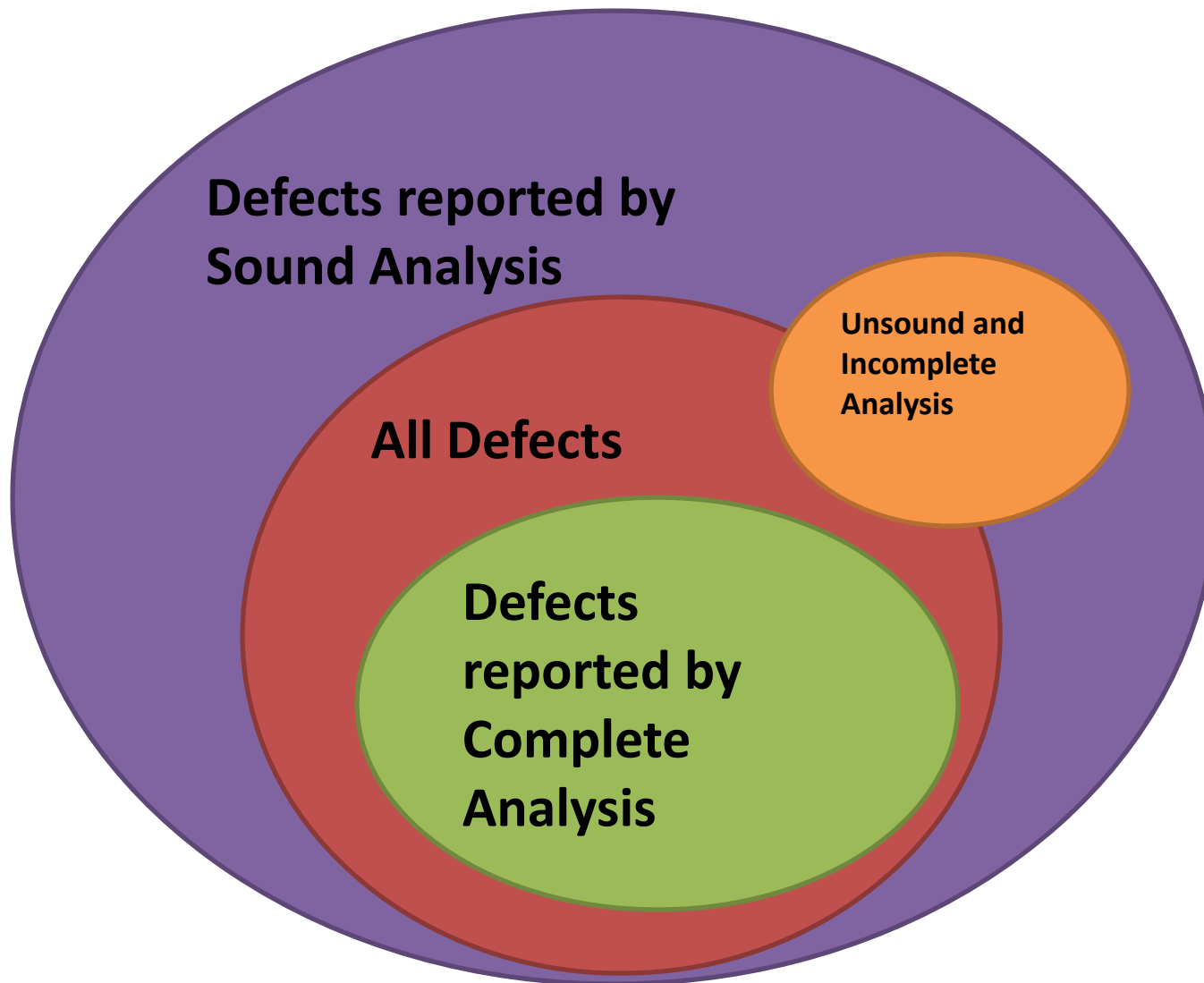
Sound Analysis:

reports all defects
 -> no false negatives
 typically overapproximated

Complete Analysis:

every reported defect is an actual defect
 -> no false positives
 typically underapproximated

How does testing relate? And formal verification?



The Bad News: Rice's Theorem

"Any nontrivial property about the language recognized by a Turing machine is undecidable."

Henry Gordon Rice, 1953

- Every static analysis is necessarily incomplete or unsound or undecidable (or multiple of these)
- Each approach has different tradeoffs

Soundness / Completeness / Performance Tradeoffs

- Type checking does catch a specific class of problems (sound), but does not find all problems
- Compiler optimizations must err on the safe side (only perform optimizations when sure it's correct; -> complete)
- Many practical bug-finding tools analyses are unsound and incomplete
 - Catch typical problems
 - May report warnings even for correct code
 - May not detect all problems
- Overwhelming amounts of false negatives make analysis useless
- Not all "bugs" need to be fixed

Testing, Static Analysis, and Proofs

- Testing
 - Observable properties
 - Verify program for one execution
 - Manual development with automated regression
 - Most practical approach now
 - Does not find all problems (unsound)
- Static Analysis
 - Analysis of all possible executions
 - Specific issues only with conservative approx. and bug patterns
 - Tools available, useful for bug finding
 - Automated, but unsound and/or incomplete
- Proofs (Formal Verification)
 - Any program property
 - Verify program for all executions
 - Manual development with automated proof checkers
 - Practical for small programs, may scale up in the future
 - Sound and complete, but not automatically decidable

What strategy to use in your project?

Take-Home Messages

- There are many forms of quality assurance
- Testing should be integrated into development
 - possibly even test first
- Various coverage metrics can more or less approximate test suite quality
- Static analysis tools can detect certain patterns of problems
- Soundness and completeness to characterize analyses