

15-410

“...Does this look familiar?...”

File System (Internals)

Apr. 2, 2007

Dave Eckhardt

Bruce Maggs

Greg Hartman

Synchronization

Today

- Chapter 11 (not: Log-structured, NFS, WAFL)

Outline

File system code layers (abstract)

Disk, memory structures

Unix “VFS” layering indirection

Directories

Block allocation strategies, free space

Cache tricks

Recovery, backups

File System Layers

Device drivers

- read/write(disk, start-sector, count)

Block I/O

- read/write(partition, block) [cached]

File I/O

- read/write (file, block)

File system

- manage directories, free space

File System Layers

Multi-filesystem namespace

- Partitioning, names for devices
- Mounting
- Unifying multiple file system *types*
 - UFS, ext2fs, ext3fs, reiserfs, FAT, 9660, ...

Shredding Disks

Split disk into *partitions/slices/minidisks/...*

- PC: 4 “partitions” –e.g., Windows, FreeBSD, Plan 9
- Mac: “volumes” –can do: OS 9, OS X, user files

Or: glue disks together into *volumes/logical disks*

Partition may contain...

- Paging area
 - Indexed by in-memory structures
 - “random garbage” when OS shuts down
- File system
 - Block allocation: file # \Rightarrow block list
 - Directory: name \Rightarrow file #

Shredding Disks

```
# fdisk -s
```

```
/dev/ad0: 993 cyl 128 hd 63 sec
```

Part	Start	Size	Type	Flags
1:	63	1233729	0x06	0x00
2:	1233792	6773760	0xa5	0x80

Shredding Disks

8 partitions:

#	size	offset	fstype	[fsize	bsize	bps/cpg]		
a:	131072	0	4.2BSD	2048	16384	101	# (Cyl.	0 - 16*)
b:	393216	131072	swap				# (Cyl.	16*- 65*)
c:	6773760	0	unused	0	0		# (Cyl.	0 - 839)
e:	65536	524288	4.2BSD	2048	16384	104	# (Cyl.	65*- 73*)
f:	6183936	589824	4.2BSD	2048	16384	89	# (Cyl.	73*- 839*)

Filesystem	1K-blocks	Used	Avail	Capacity	Mounted on
/dev/ad0s2a	64462	55928	3378	94%	/
/dev/ad0s2f	3043806	2608458	191844	93%	/usr
/dev/ad0s2e	32206	7496	22134	25%	/var
procfs	4	4	0	100%	/proc

(FreeBSD 4.7 on ThinkPad 560X)

Disk Structures

Boot area (first block/track/cylinder)

- Interpreted by hardware bootstrap (“BIOS”)
- May include partition table

File system control block

- Key parameters: #blocks, metadata layout
- Unix: “superblock”

“File control block” (Unix: “inode”)

- ownership/permissions
- data location

Possibly a freespace map as well

Memory Structures

In-memory partition tables

- Sanity check file system I/O in correct partition

Cached directory information

System-wide open-file table

- In-memory file control blocks

Process open-file tables

- Open mode (read/write/append/...)
- “Cursor” (read/write position)

VFS layer

Goal

- Allow one machine to use multiple file system *types*
 - Unix FFS
 - MS-DOS FAT
 - CD-ROM ISO9660
 - Remote/distributed: NFS/AFS
- Standard system calls should work transparently

Solution

- Insert a level of indirection!

Single File System

```
n = read(fd, buf, size)
```

```
INT 54
```

```
sys_read(fd, buf, len)
```

```
namei()  iget()  iput()
```

```
sleep()  rdblkl(dev, N)  wakeup()
```

```
startIDE()  IDEintr()
```

VFS “Virtualization”

```
n = read(fd, buf, size)
```

```
INT 54
```

```
namei()
```

```
vfs_read()
```

```
ufs_read()
```

```
procfs_read()
```

```
ufs_lookup()
```

```
procfs_domem()
```

```
iget()
```

```
iput()
```

VFS layer –file system operations

```
struct vfsops {  
    char *name;  
    int (*vfs_mount)();  
    int (*vfs_statfs)();  
    int (*vfs_vget)();  
    int (*vfs_unmount)();  
    ...  
}
```

VFS layer –file operations

Each VFS provides an array of per-file methods

- **VOP_LOOKUP(vnode, new_vnode, name)**
- **VOP_CREATE(vnode, new_vnode, name, attributes)**
- **VOP_OPEN(vnode, mode, credentials, process)**
- **VOP_READ(vnode, uio, readwrite, credentials)**

Operating system provides fs-independent code

- **Validating system call parameters**
- **Moving data from/to user memory**
- **Thread sleep/wakeup**
- **Caches (data blocks, name \Rightarrow vnode mappings)**

Directories

namei() ⇒ fs interface

- `vnode2 = VOP_LOOKUP(vnode1, name)`

Traditional Unix FFS directories

- List of (name,inode #) - not sorted!
- Names are variable-length
- Lookup is linear
 - How long does it take to delete N files?

Common alternative: hash-table directories

Allocation / Mapping

Allocation problem

- Where do I put the next block of this file?
 - “Near the previous block” is not a bad idea

Mapping problem

- Where is block 32 of this file?
- Similar to virtual memory
 - Multiple large “address spaces” *specific to each file*
 - Only one underlying “address space” of blocks
 - Source address space may be sparse!

Allocation / Mapping

Contiguous

Linked

FAT

Indexed

Linked

Multi-level

Unix (index tree)

Allocation –Contiguous

Approach

- File location defined as (start, length)

Motivation

- Sequential disk accesses are cheap
- Bookkeeping is easy

Issues

- Dynamic storage allocation (fragmentation, compaction)
- Must pre-declare file size at creation
- This should sound familiar

Allocation –Linked

Approach

- File location defined as (start)
- Each disk block contains pointer to next block

Motivation

- Avoid fragmentation problems
- Allow file growth

Issues?

Allocation –Linked

Issues

- 508-byte blocks don't match memory pages
- In general, one seek per block read/written - *slow!*
- *Very* hard to access file blocks at random
 - `lseek(fd, 37 * 1024, SEEK_SET);`

Benefit

- Can recover files even if directories destroyed

Common modification

- Link multi-block *clusters*, not blocks

Allocation –FAT

Used by MS-DOS, OS/2, Windows

- Digital cameras, GPS receivers, printers, PalmOS, ...

Semantically same as linked allocation

Links stored “out of band” in table

- Result: nice 512-byte sectors for data

Table at start of disk

- Next-block pointer array
- Indexed by block number
- Next=0 means “free”

Allocation –FAT

7
2
5
-1
3
-1
0
-1

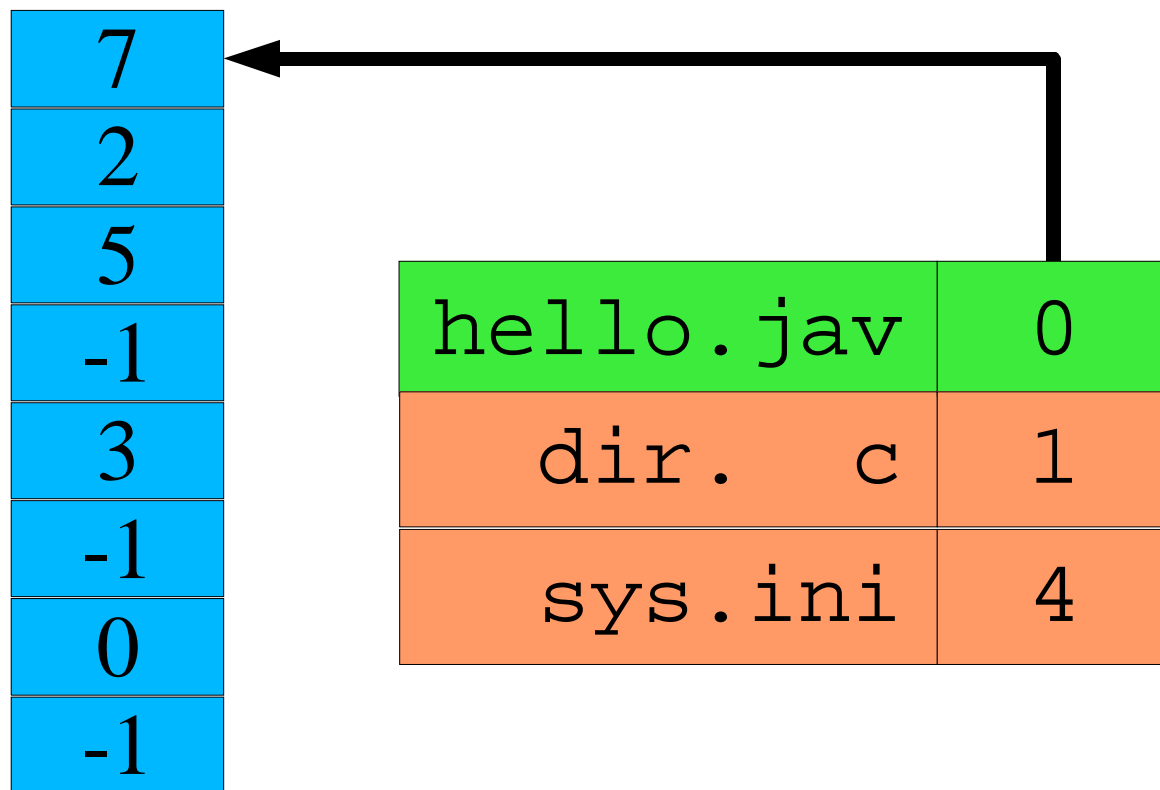
hello.jav	0
dir. c	1
sys.ini	4

Allocation - FAT

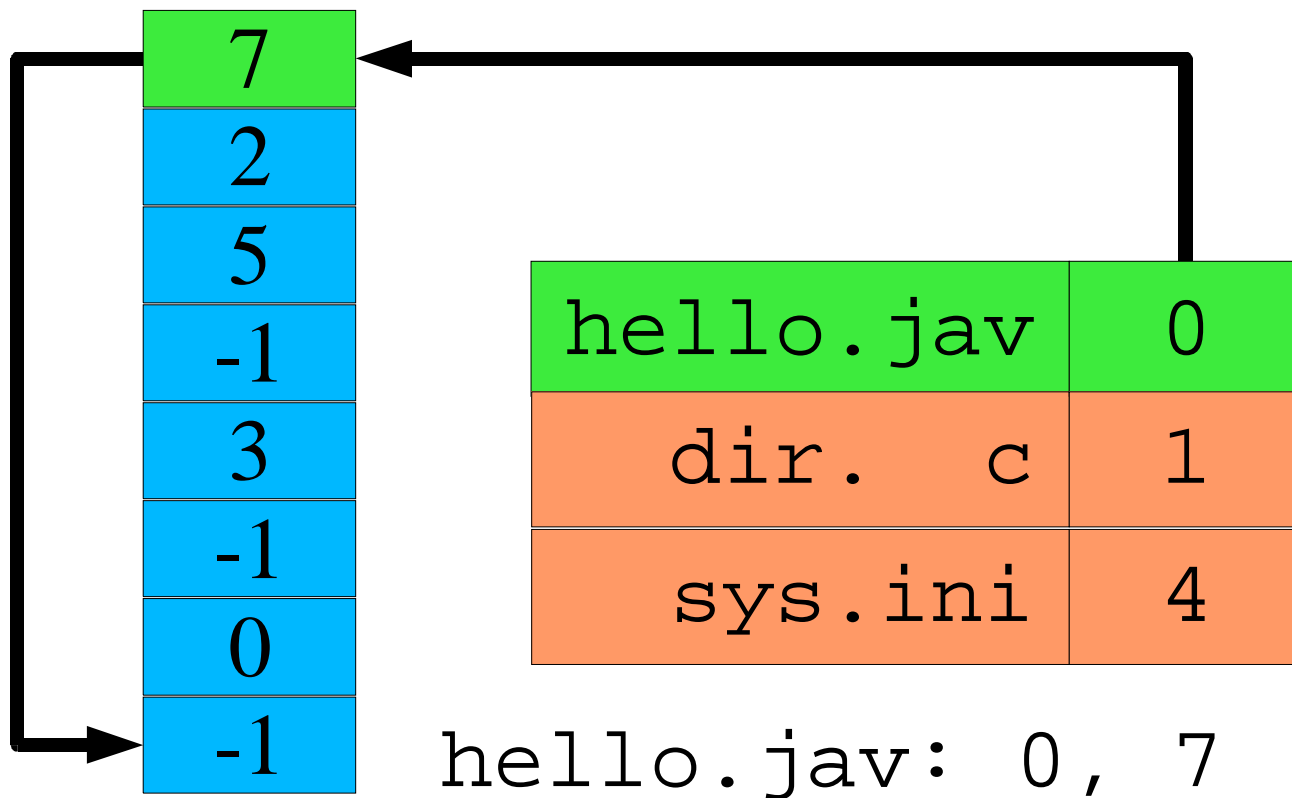
7
2
5
-1
3
-1
0
-1

hello.jav	0
dir. c	1
sys.ini	4

Allocation - FAT



Allocation - FAT



Allocation –FAT

Issues

- **Damage to FAT scrambles entire disk**
 - **Solution: backup FAT**
- **Generally *two* seeks per block read/write**
 - **Seek to FAT, read, seek to actual block (repeat)**
 - **Unless FAT can be cached well in RAM**
- **Still *somewhat* hard to access random file blocks**
 - **Linear time to walk through FAT**
- **FAT may be a “hot spot” (everybody needs to access it)**
- **Lots of FAT updates (near beginning of disk)**
 - **Even if files being modified are far away**

Allocation – Indexed

Motivation

- Avoid fragmentation problems
- Allow file growth
- *Improve random access*

Approach

- *Per-file* block array

99	3004
100	-1
101	-1
3001	-1
3002	6002
-1	-1
-1	-1
-1	-1

Allocation – Indexed

Allows “holes”

- foo.c is sequential
- foo.db, blocks 1..3 \Rightarrow -1
 - logically “blank”

“sparse allocation”

- a.k.a. “holes”
- read() returns nulls
- write() requires alloc
- file “size” \neq file “size”
 - `ls -l` -1 index of last byte
 - `ls -ls` -s number of blocks

foo.c	foo.db
99	3004
100	-1
101	-1
3001	-1
3002	6002
-1	-1
-1	-1
-1	-1

Allocation – Indexed

How big should index block be?

- Too small: limits file size
- Too big: lots of wasted pointers

Combining index blocks

- Linked
- Multi-level
- What Unix actually does

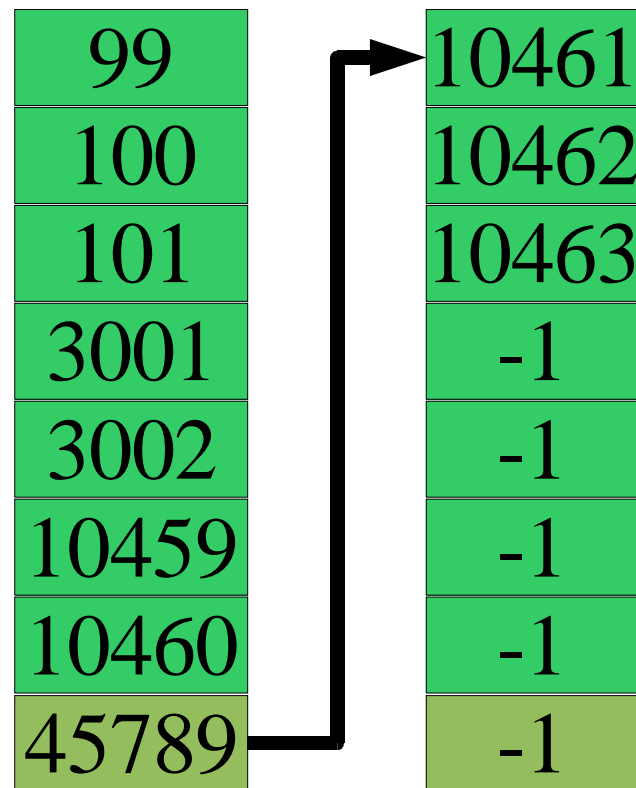
Linked Index Blocks

**Last pointer indicates
next index block**

Simple

Access is not-so-random

- $O(n/c)$ is still $O(n)$
- $O(n)$ *disk transfers*

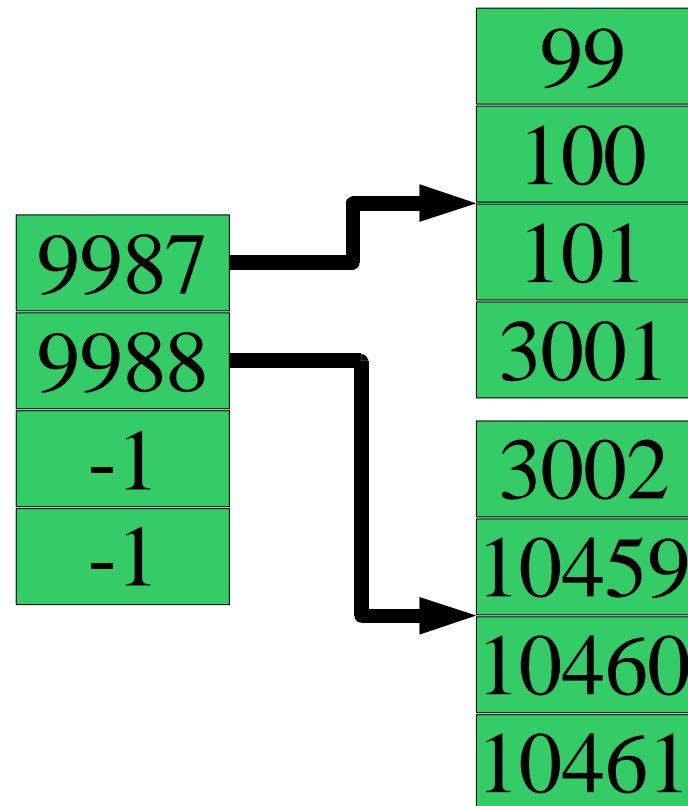


Multi-Level Index Blocks

Index blocks of index blocks

Does this look familiar?

Allows *big* holes



Unix Index Blocks

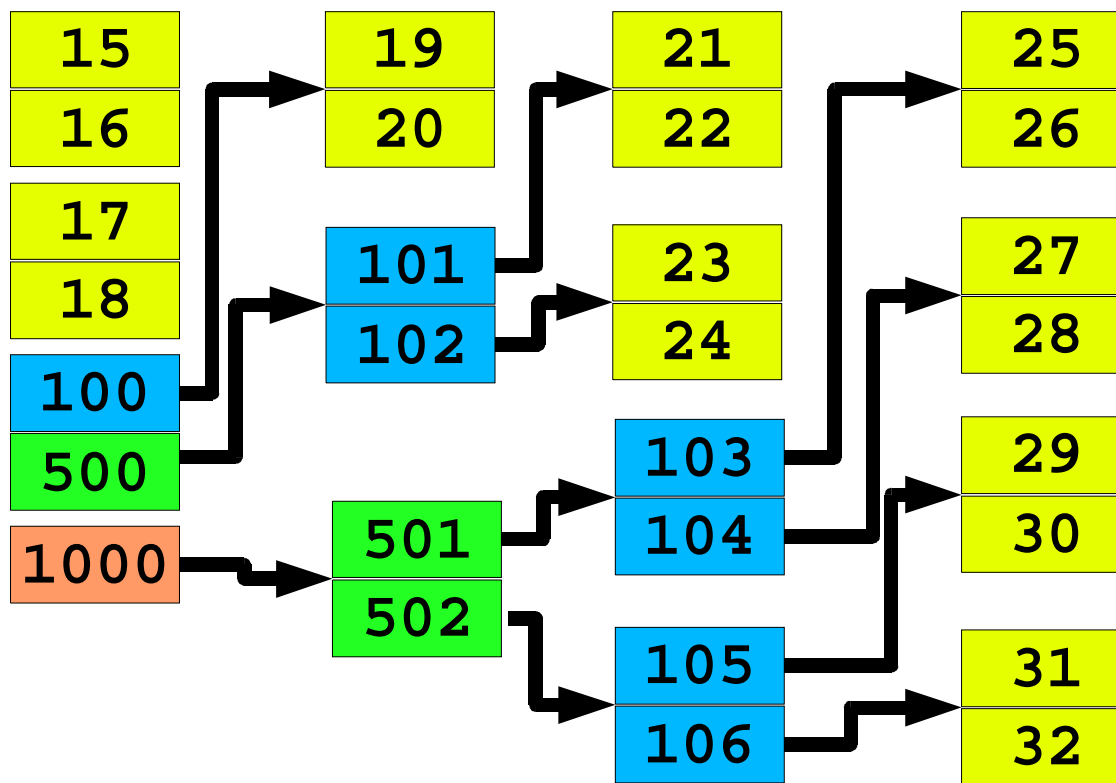
Intuition

- *Many* files are small
 - Length = 0, length = 1, length < 80, ...
- Some files are *huge* (3 gigabytes)

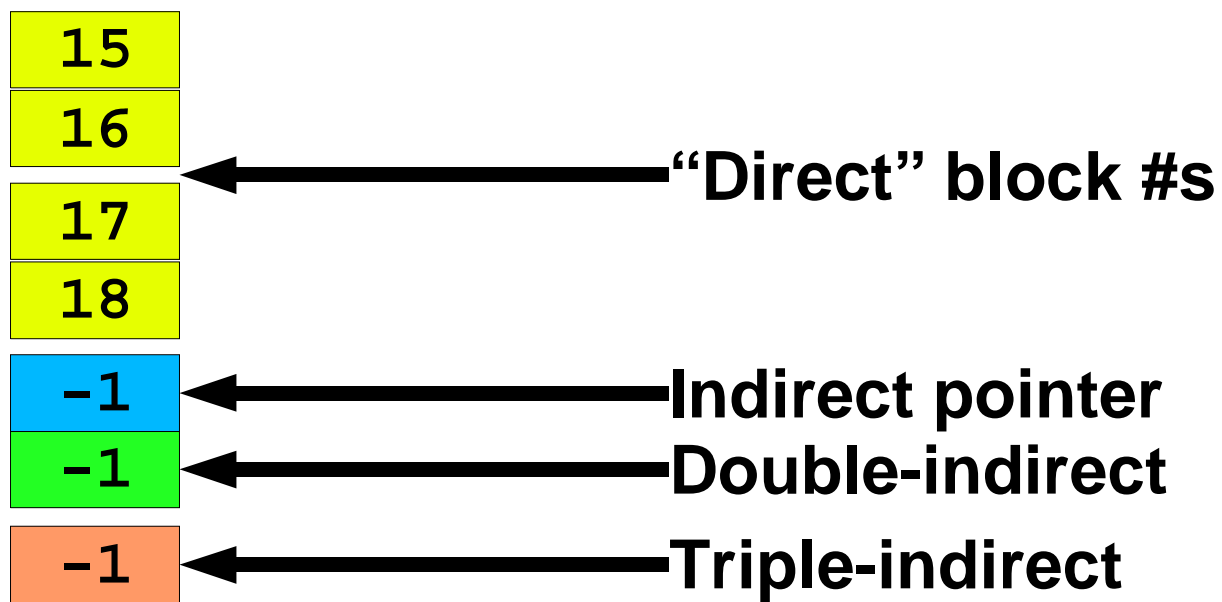
“Clever heuristic” in Unix FFS inode

- inode struct contains 12 “direct” block pointers
 - 12 block numbers * 8 KB/block = 96 KB
 - Availability is “free” - must read inode to open() file anyway
- 3 indirect block pointers
 - single, double, triple

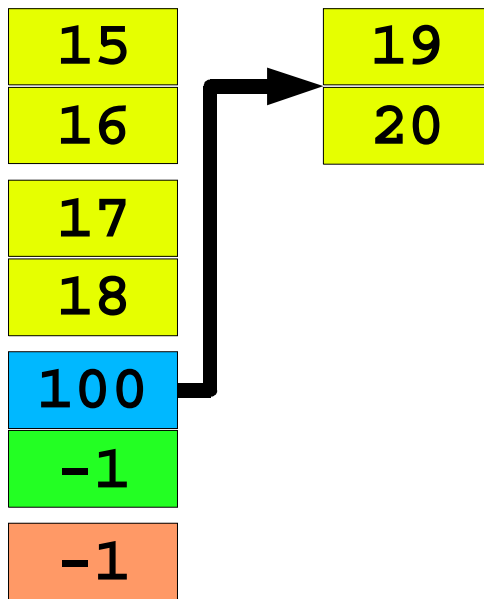
Unix Index Blocks



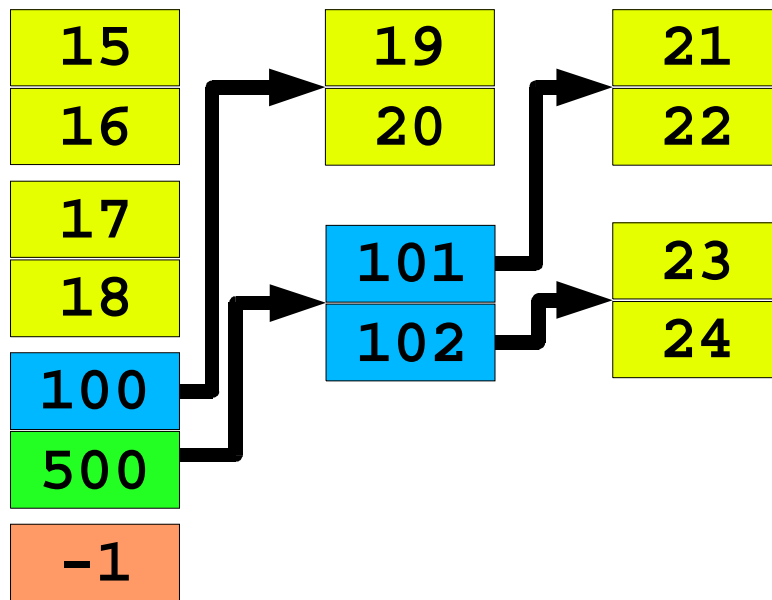
Unix Index Blocks



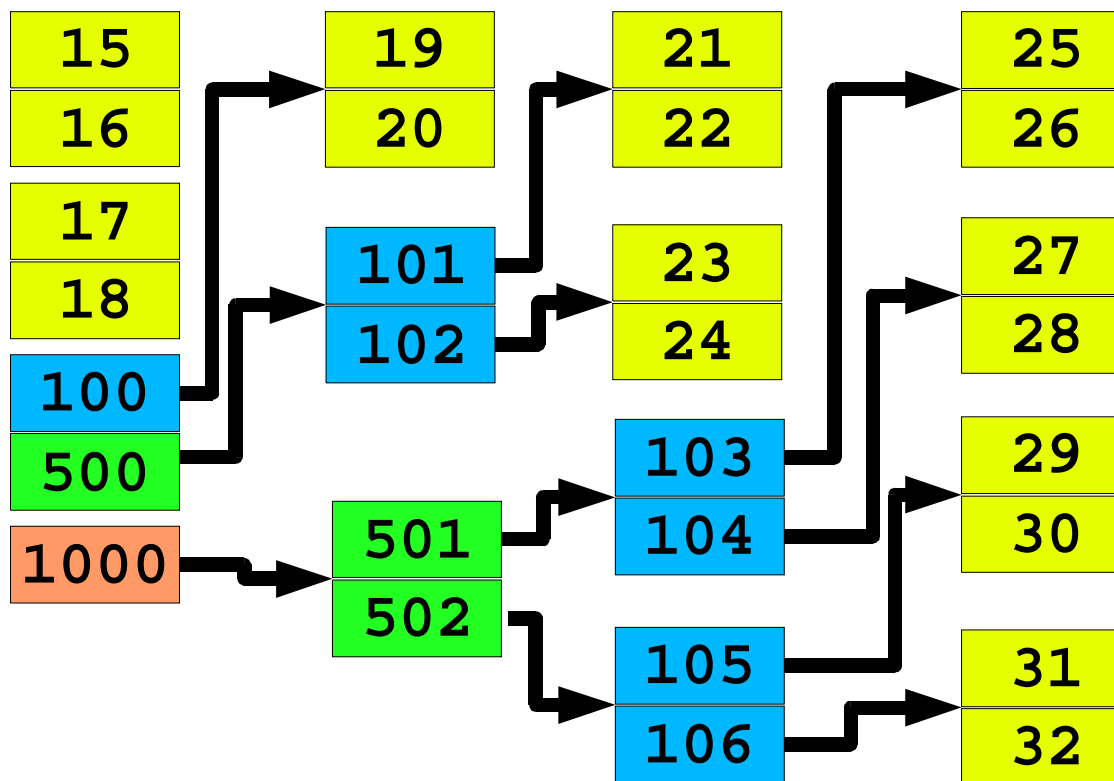
Unix Index Blocks



Unix Index Blocks



Unix Index Blocks



Triple indirect can address $\gg 2^{32}$ bytes

Tracking Free Space

Bit-vector

- 1 bit per block: boolean “free”
- Check each word vs. 0
- Use “first bit set” instruction
- Text example
 - 1.3 GB disk, 512 B sectors: 332 KB bit vector

Need to keep (much of) it in RAM

Tracking Free Space

Linked list?

- Superblock points to first free block
- Each free block points to next

Cost to allocate N blocks is linear

- Free block can point to *multiple* free blocks
 - 512 bytes = 128 (4-byte) block numbers
- FAT approach provides free-block list “for free”

Keep free-*extent* lists

- (block, sequential-block-count)

Unified Buffer Cache

Traditional two-cache approach

- Page cache, file-system cache often totally independent
 - Page cache chunks according to hardware page size
 - File cache chunks according to “file system block” size
 - Different code, different RAM pools
- How much RAM to devote to each one?

Observation

- Why not have just one cache?
 - Mix automatically varies according to load
 - » “cc” wants more disk cache
 - » Firefox wants more VM cache

Unified Buffer Cache - Warning!

“Virtual memory architecture in SunOS”

Gingell, Moran, & Shannon

USENIX 1987 Summer Conference

“The work has consumed approximately four man-years of effort over a year and a half of real time. A surprisingly large amount of effort has been drained by efforts to interpose the VM system as the logical cache manager for the file systems...”

Cache tricks

Read-ahead

```
for (i = 0; i < filesize; ++i)
    putc(getc(infile), outfile);
```

- **System observes sequential reads**
 - File block 0, 1, 2, ...
 - Can pipeline reads to overlap “computation”, read latency
 - » Request for block 2 triggers disk read of block 3

Free-behind

- Discard buffer from cache when next is requested
- Good for large files
- “Anti-LRU”

Recovery

System crash...now what?

- **Some RAM contents were lost**
- **Free-space list on disk may be wrong**
- **Scan file system**
 - **Check invariants**
 - » **Unreferenced files**
 - » **Double-allocated blocks**
 - » **Unallocated blocks**
 - **Fix problems**
 - » **Expert user???**

Modern approach

- **“Journal” changes (see upcoming Transactions lecture)**

Backups

Incremental approach

- **Monthly: dump entire file system**
- **Weekly: dump changes since last monthly**
- **Daily: dump changes since last weekly**

Merge approach - www.teradactyl.com

- **Collect changes since yesterday**
 - **Scan file system by modification time**
- **Two tape drives merge yesterday's tape, today's delta**

Summary

Block-mapping problem

- Similar to virtual-to-physical mapping for memory
- Large, often-sparse “address” spaces
 - “Holes” not the common case, but not impossible
- Map any “logical address” to any “physical address”
- Key difference: file maps often don't fit in memory

“Insert a level of indirection”

- Multiple file system types on one machine
- Grow your block-allocation map
- ...