

Virtual Memory: Concepts

15-213: Introduction to Computer Systems
15th Lecture, Oct. 14, 2010

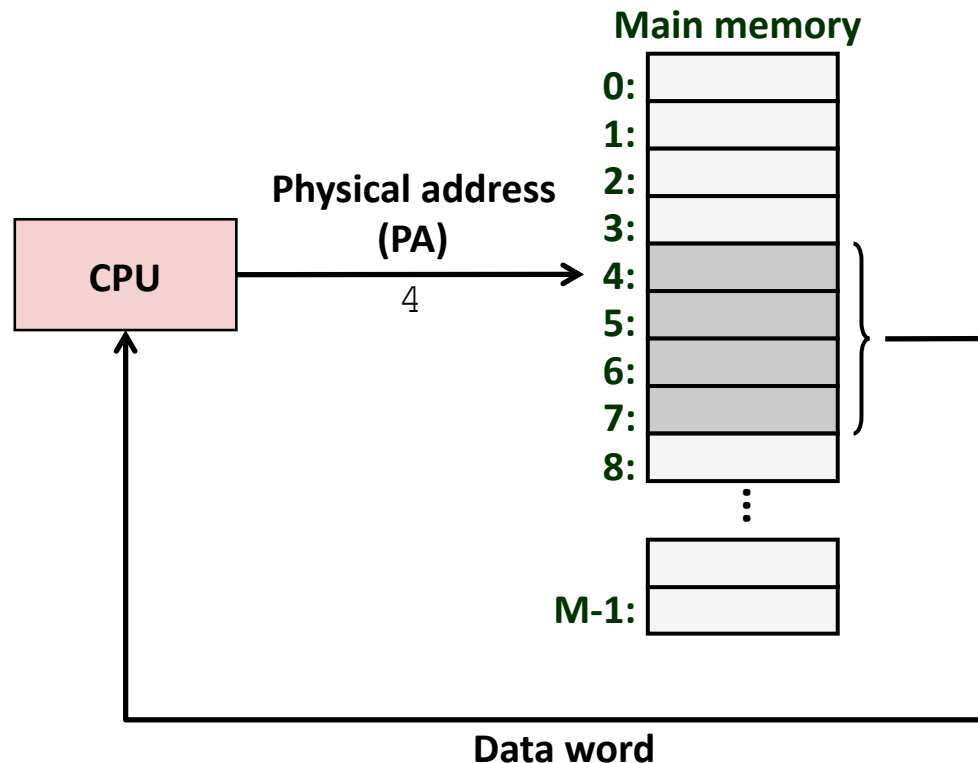
Instructors:

Randy Bryant and Dave O'Hallaron

Today

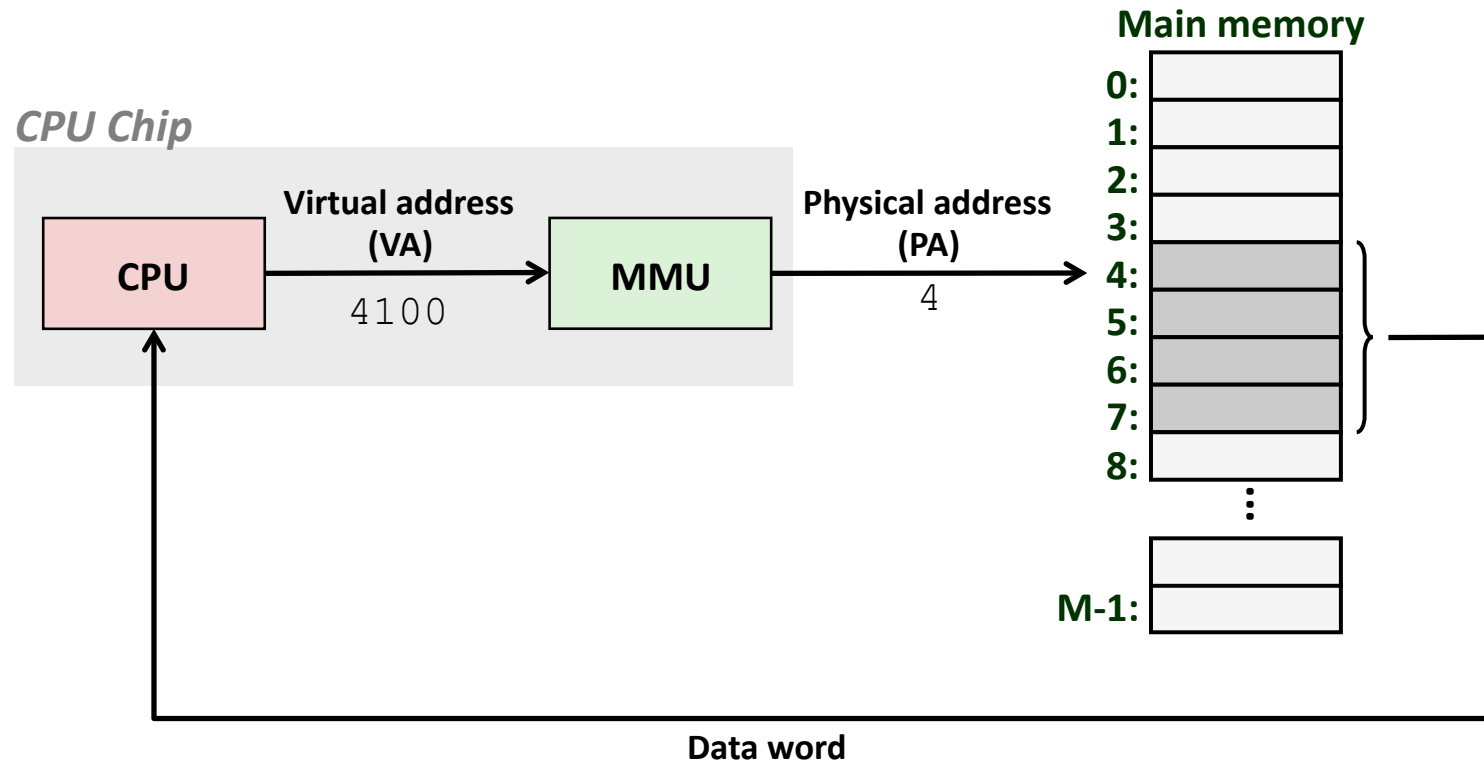
- **Address spaces**
- VM as a tool for caching
- VM as a tool for memory management
- VM as a tool for memory protection
- Address translation

A System Using Physical Addressing



- Used in “simple” systems like embedded microcontrollers in devices like cars, elevators, and digital picture frames

A System Using Virtual Addressing



- Used in all modern servers, desktops, and laptops
- One of the great ideas in computer science

Address Spaces

- **Linear address space:** Ordered set of contiguous non-negative integer addresses:

$\{0, 1, 2, 3 \dots \}$

- **Virtual address space:** Set of $N = 2^n$ virtual addresses

$\{0, 1, 2, 3, \dots, N-1\}$

- **Physical address space:** Set of $M = 2^m$ physical addresses

$\{0, 1, 2, 3, \dots, M-1\}$

- **Clean distinction between data (bytes) and their attributes (addresses)**
- **Each object can now have multiple addresses**
- **Every byte in main memory:
one physical address, one (or more) virtual addresses**

Why Virtual Memory (VM)?

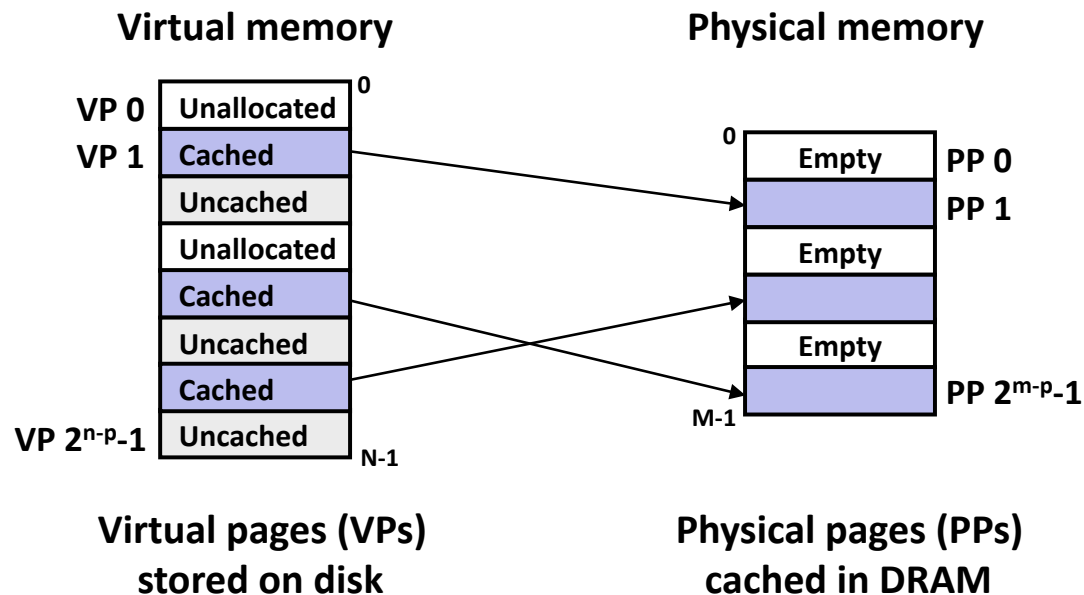
- **Uses main memory efficiently**
 - Use DRAM as a cache for the parts of a virtual address space
- **Simplifies memory management**
 - Each process gets the same uniform linear address space
- **Isolates address spaces**
 - One process can't interfere with another's memory
 - User program cannot access privileged kernel information

Today

- Address spaces
- **VM as a tool for caching**
- VM as a tool for memory management
- VM as a tool for memory protection
- Address translation

VM as a Tool for Caching

- **Virtual memory** is an array of N contiguous bytes stored on disk.
- The contents of the array on disk are cached in **physical memory (DRAM cache)**
 - These cache blocks are called *pages* (size is $P = 2^p$ bytes)



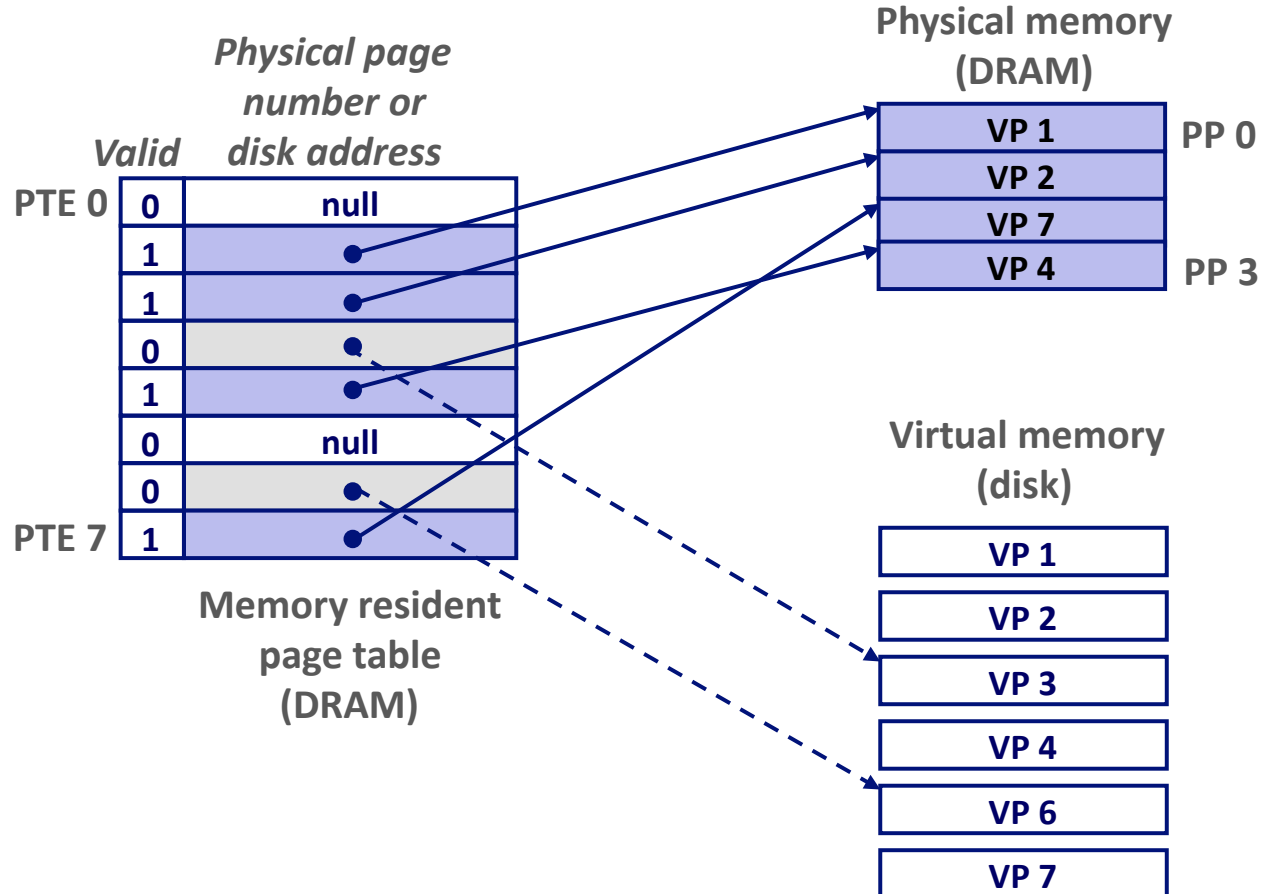
DRAM Cache Organization

- **DRAM cache organization driven by the enormous miss penalty**
 - DRAM is about **10x** slower than SRAM
 - Disk is about **10,000x** slower than DRAM

- **Consequences**
 - Large page (block) size: typically 4-8 KB, sometimes 4 MB
 - Fully associative
 - Any VP can be placed in any PP
 - Requires a “large” mapping function – different from CPU caches
 - Highly sophisticated, expensive replacement algorithms
 - Too complicated and open-ended to be implemented in hardware
 - Write-back rather than write-through

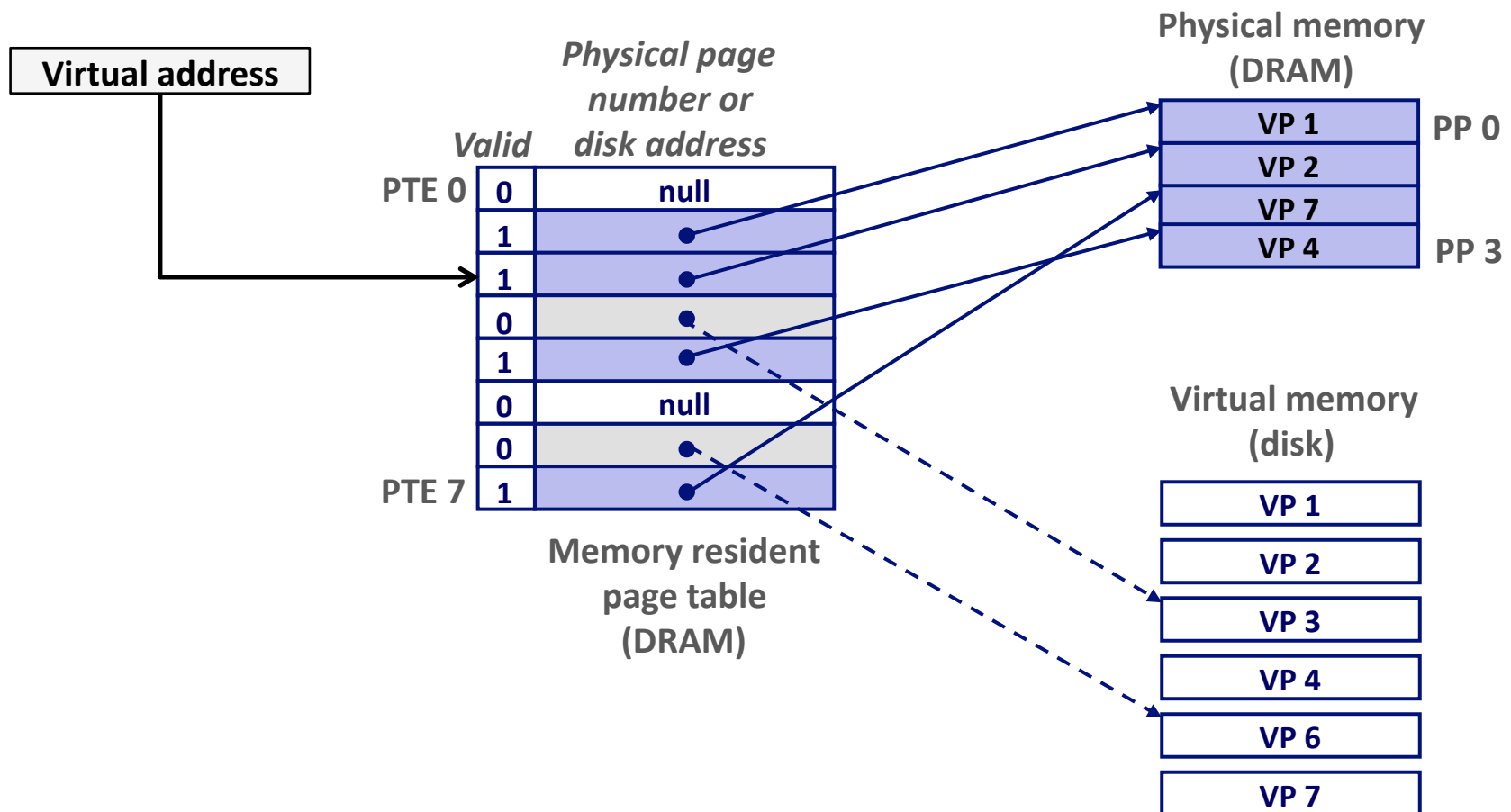
Page Tables

- A *page table* is an array of page table entries (PTEs) that maps virtual pages to physical pages.
 - Per-process kernel data structure in DRAM



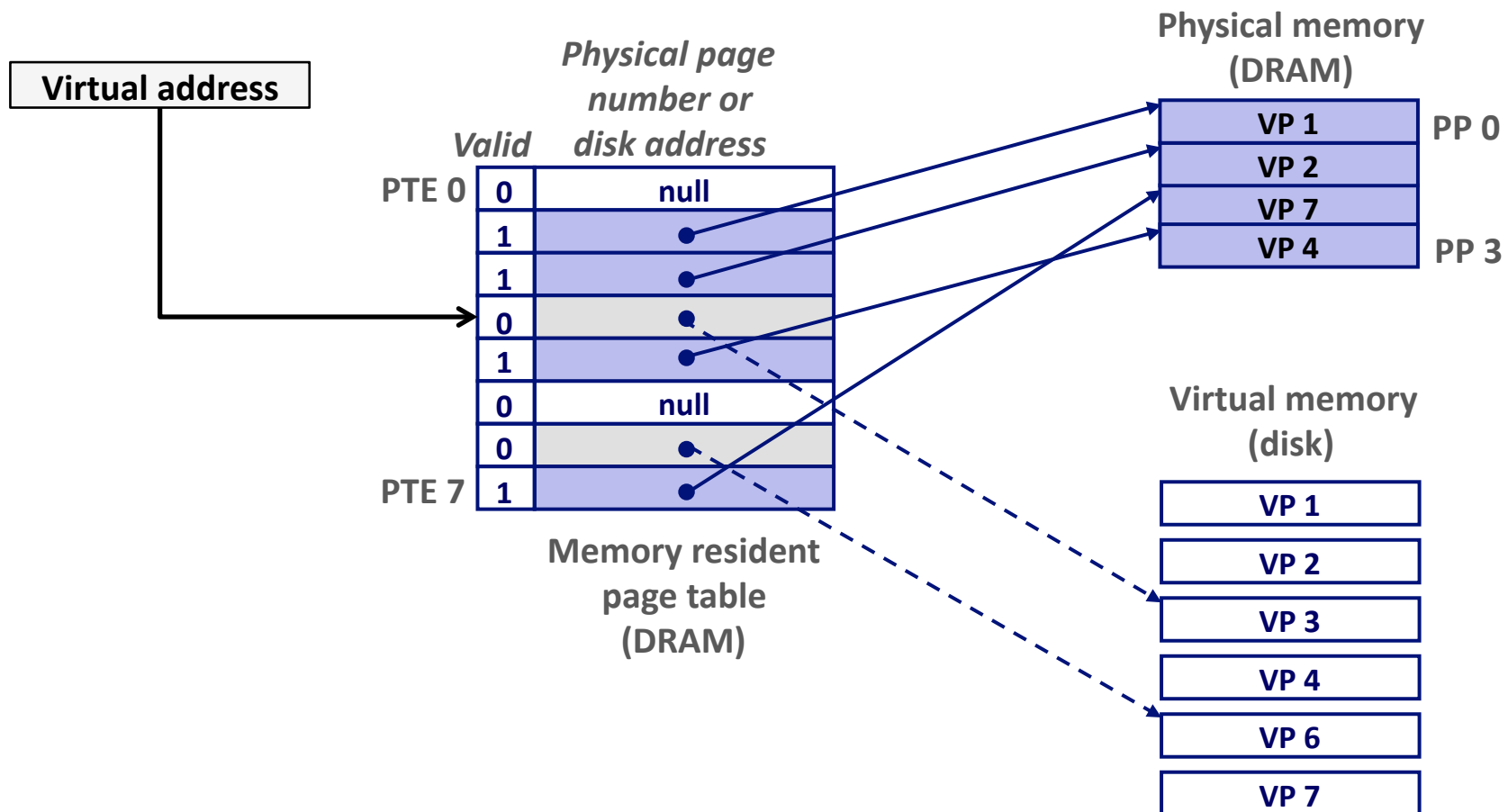
Page Hit

- **Page hit:** reference to VM word that is in physical memory (DRAM cache hit)



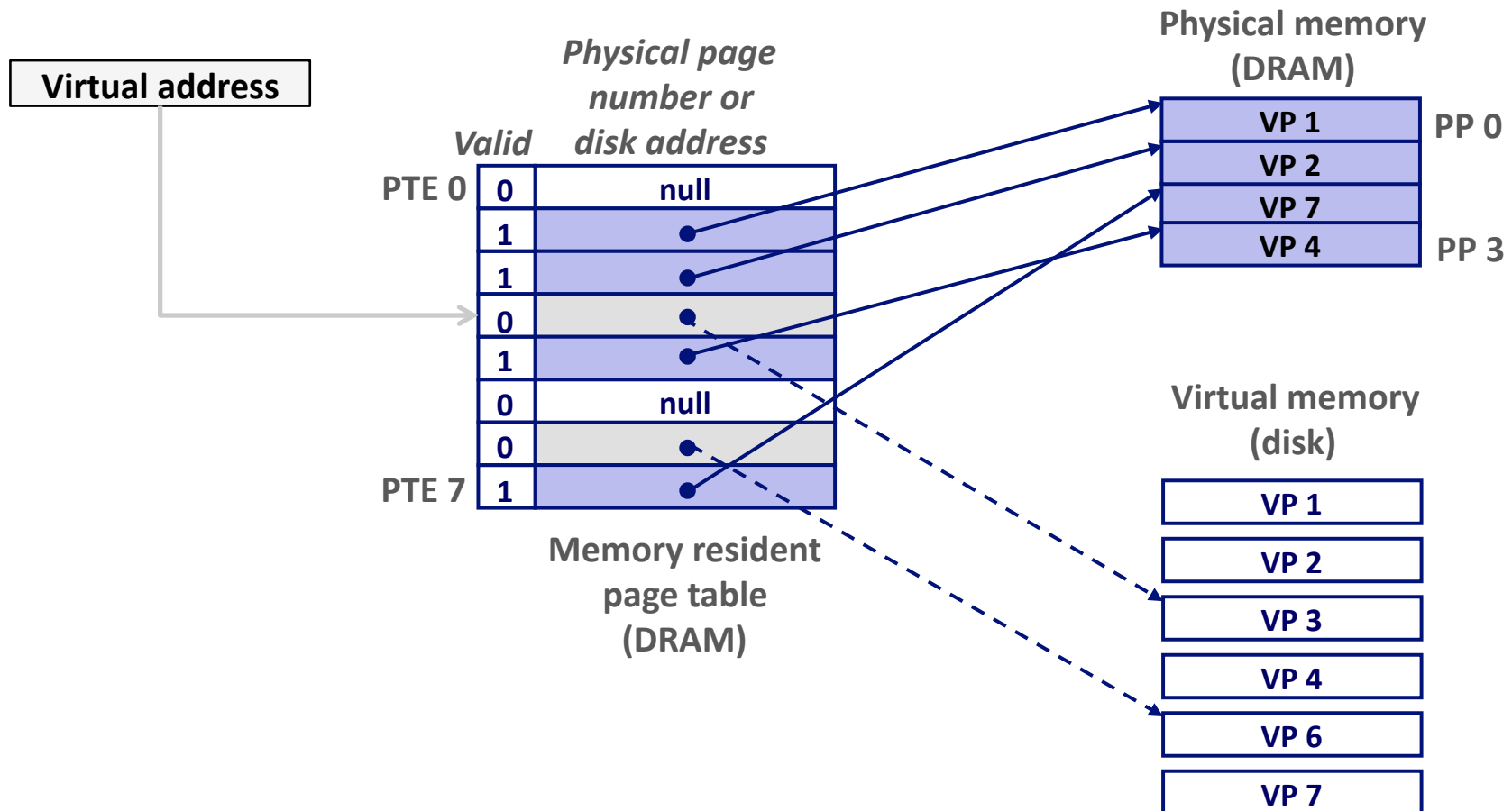
Page Fault

- **Page fault:** reference to VM word that is not in physical memory (DRAM cache miss)



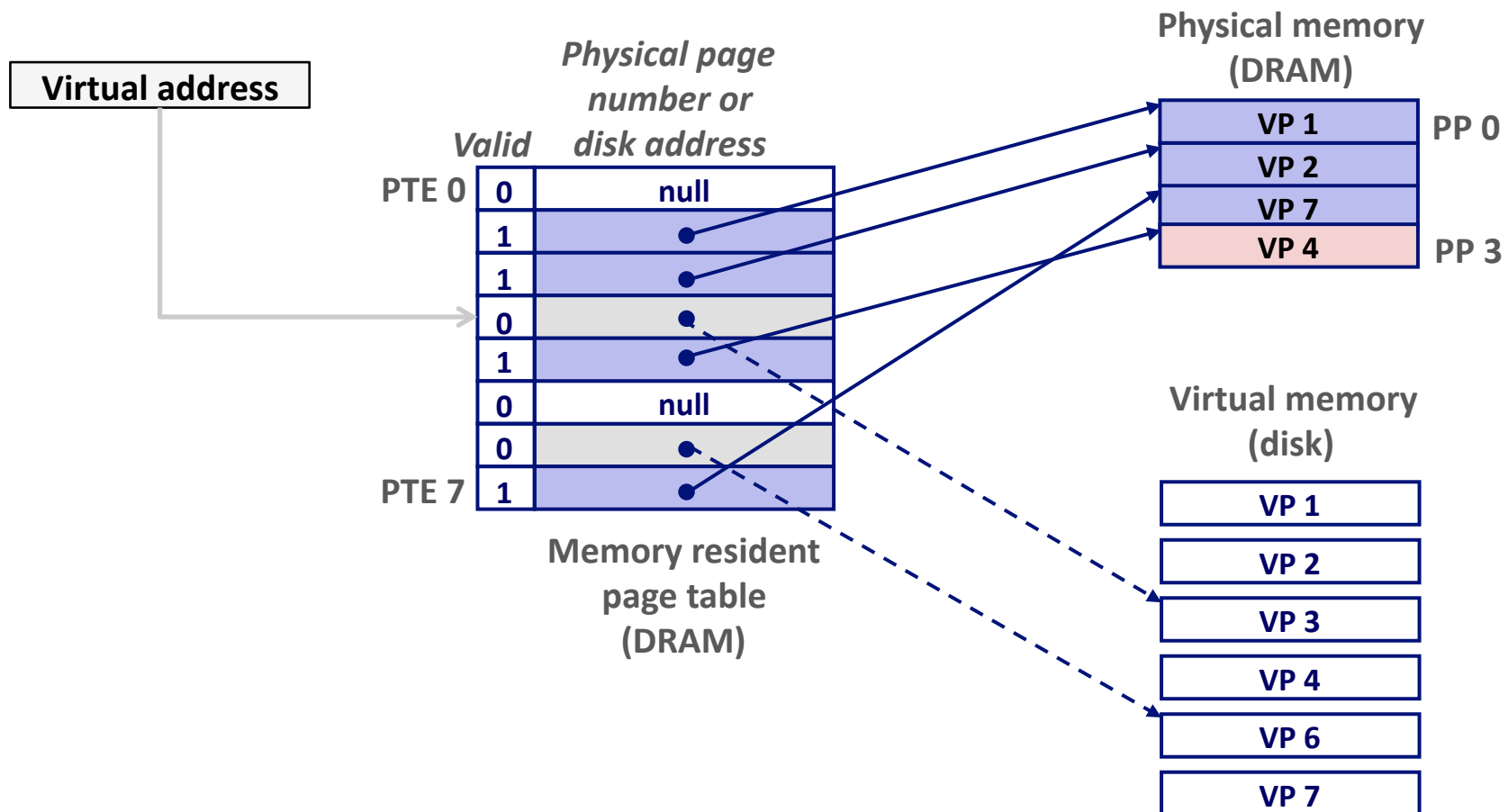
Handling Page Fault

- Page miss causes page fault (an exception)



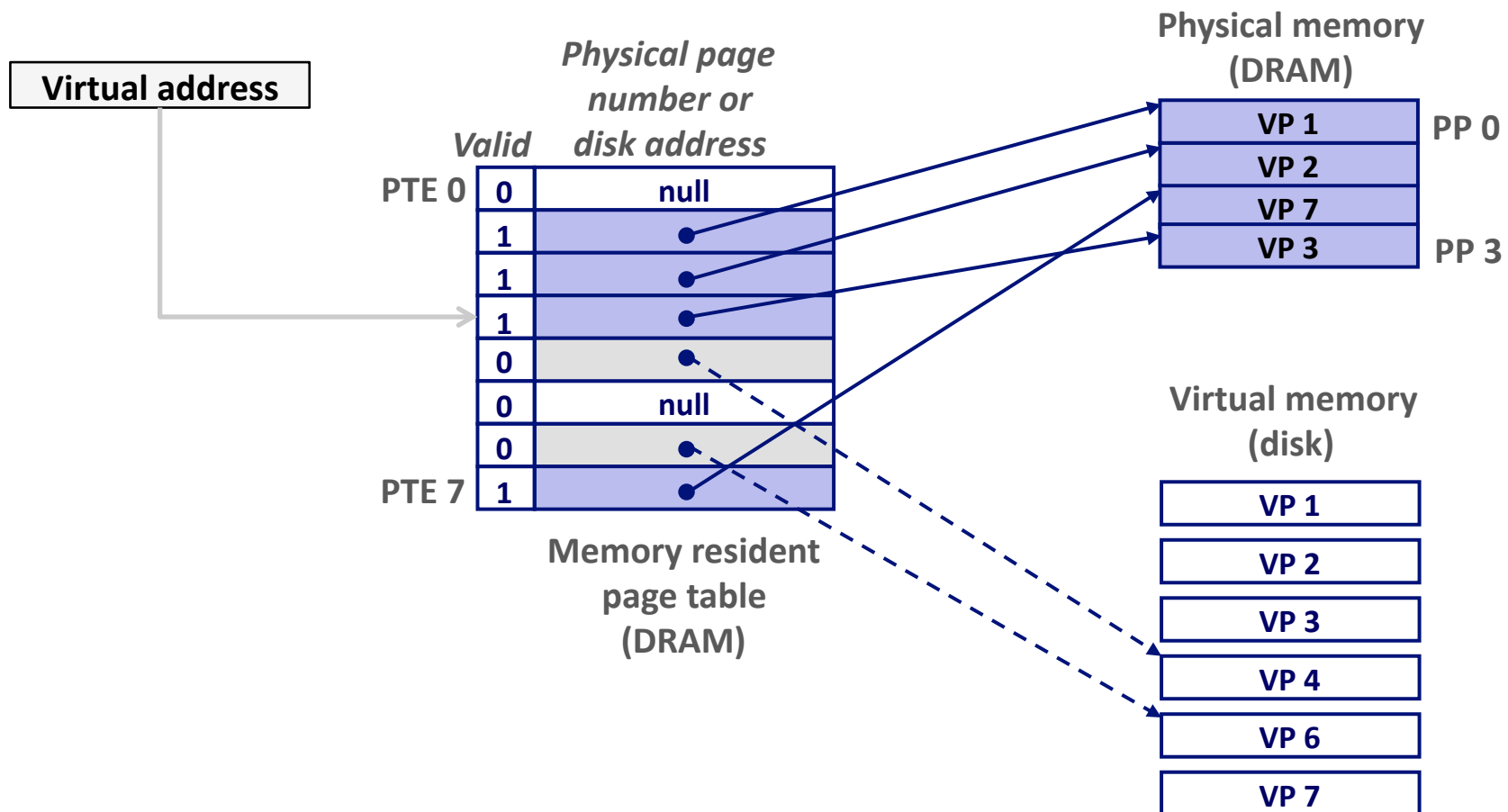
Handling Page Fault

- Page miss causes page fault (an exception)
- Page fault handler selects a victim to be evicted (here VP 4)



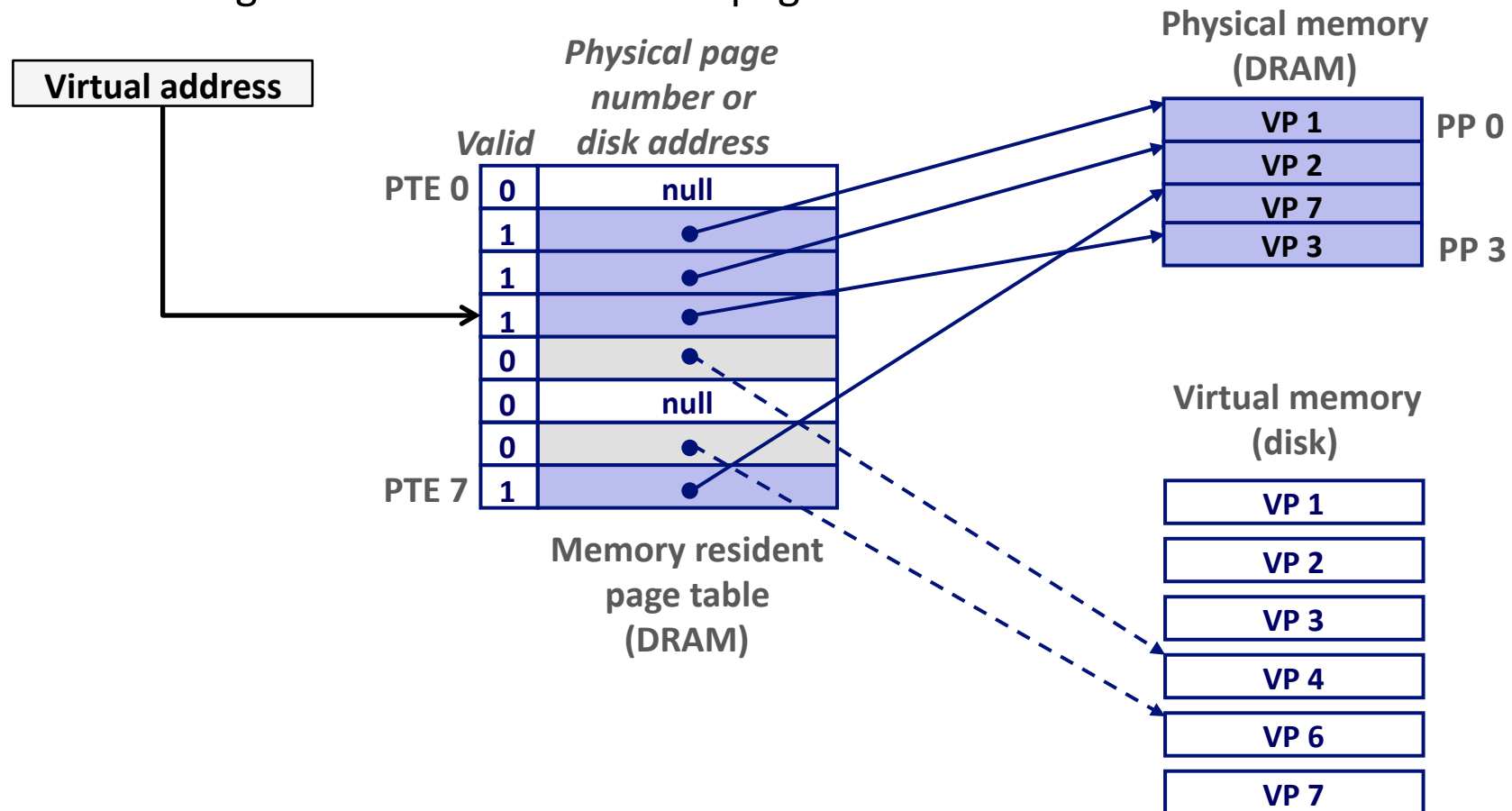
Handling Page Fault

- Page miss causes page fault (an exception)
- Page fault handler selects a victim to be evicted (here VP 4)



Handling Page Fault

- Page miss causes page fault (an exception)
- Page fault handler selects a victim to be evicted (here VP 4)
- Offending instruction is restarted: page hit!



Locality to the Rescue Again!

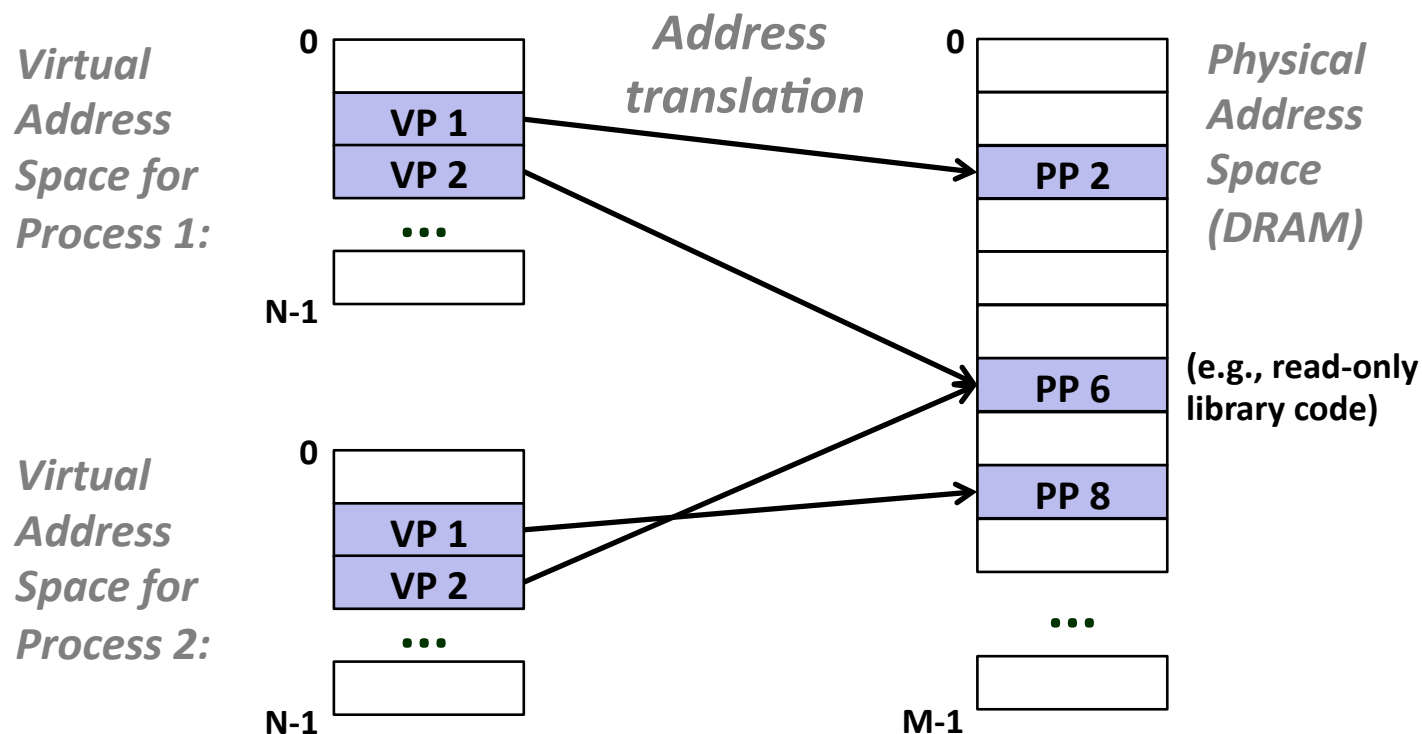
- Virtual memory works because of locality
- At any point in time, programs tend to access a set of active virtual pages called the *working set*
 - Programs with better temporal locality will have smaller working sets
- If (working set size < main memory size)
 - Good performance for one process after compulsory misses
- If (SUM(working set sizes) > main memory size)
 - *Thrashing*: Performance meltdown where pages are swapped (copied) in and out continuously

Today

- Address spaces
- VM as a tool for caching
- **VM as a tool for memory management**
- VM as a tool for memory protection
- Address translation

VM as a Tool for Memory Management

- **Key idea: each process has its own virtual address space**
 - It can view memory as a simple linear array
 - Mapping function scatters addresses through physical memory
 - Well chosen mappings simplify memory allocation and management



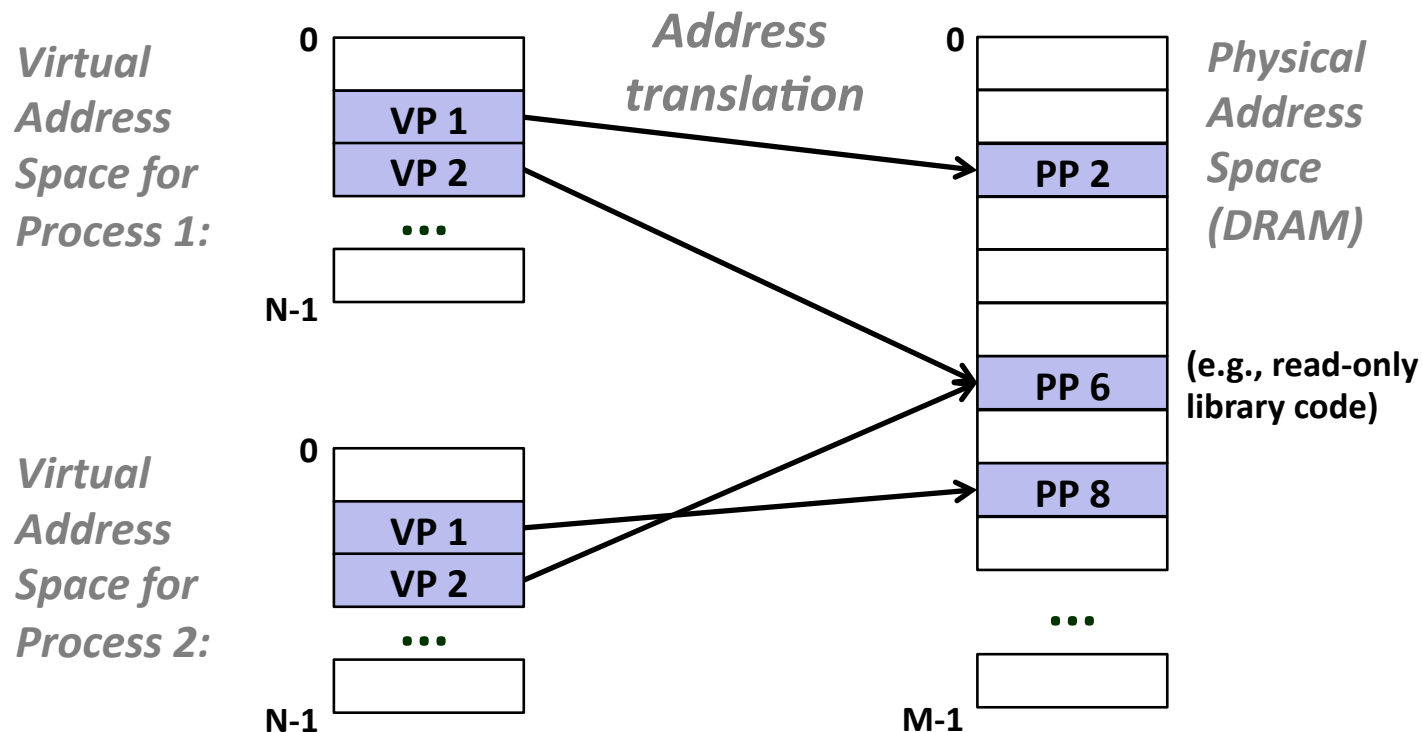
VM as a Tool for Memory Management

■ Memory allocation

- Each virtual page can be mapped to any physical page
- A virtual page can be stored in different physical pages at different times

■ Sharing code and data among processes

- Map virtual pages to the same physical page (here: PP 6)



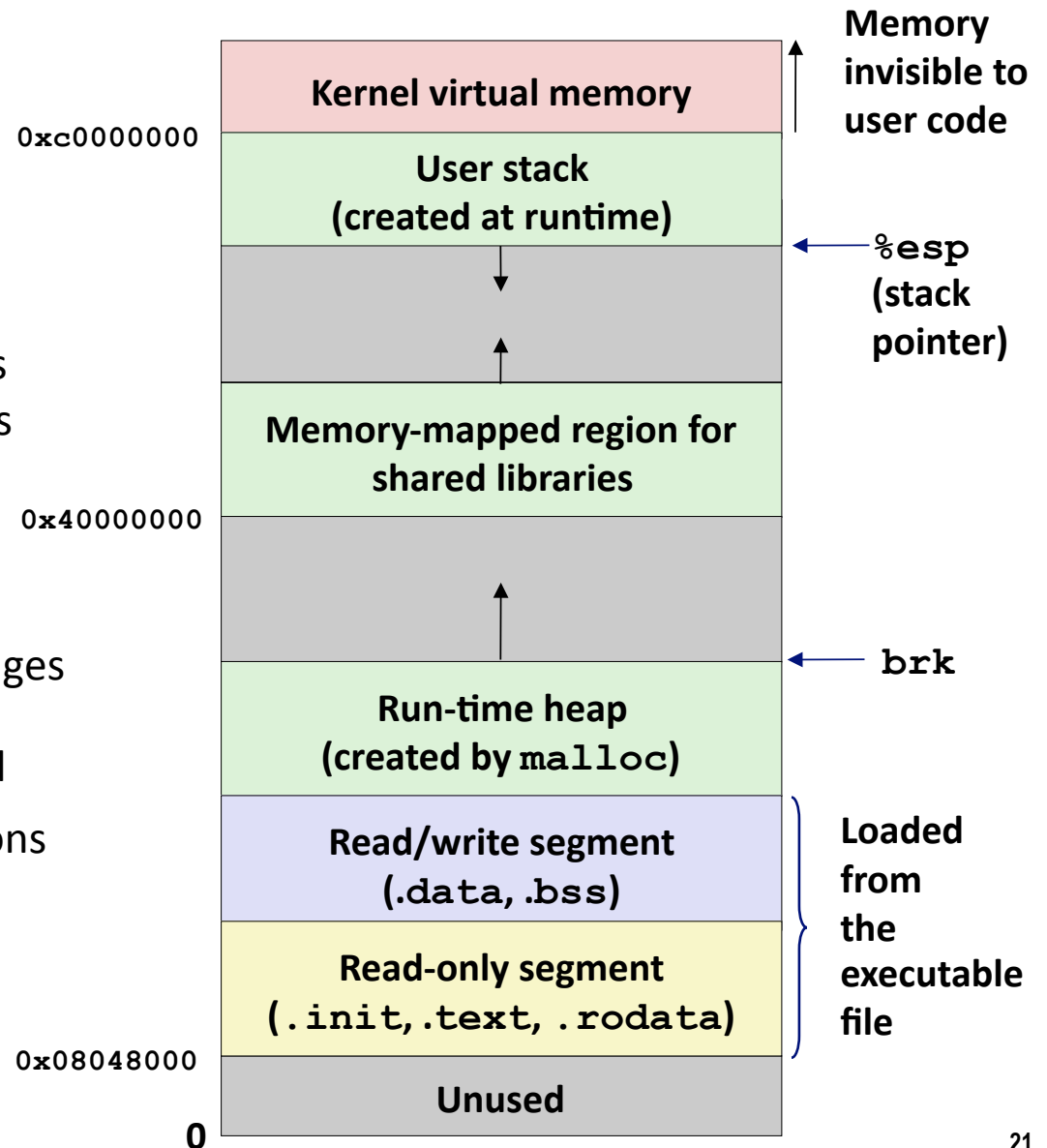
Simplifying Linking and Loading

■ Linking

- Each program has similar virtual address space
- Code, stack, and shared libraries always start at the same address

■ Loading

- `execve()` allocates virtual pages for `.text` and `.data` sections = creates PTEs marked as invalid
- The `.text` and `.data` sections are copied, page by page, on demand by the virtual memory system

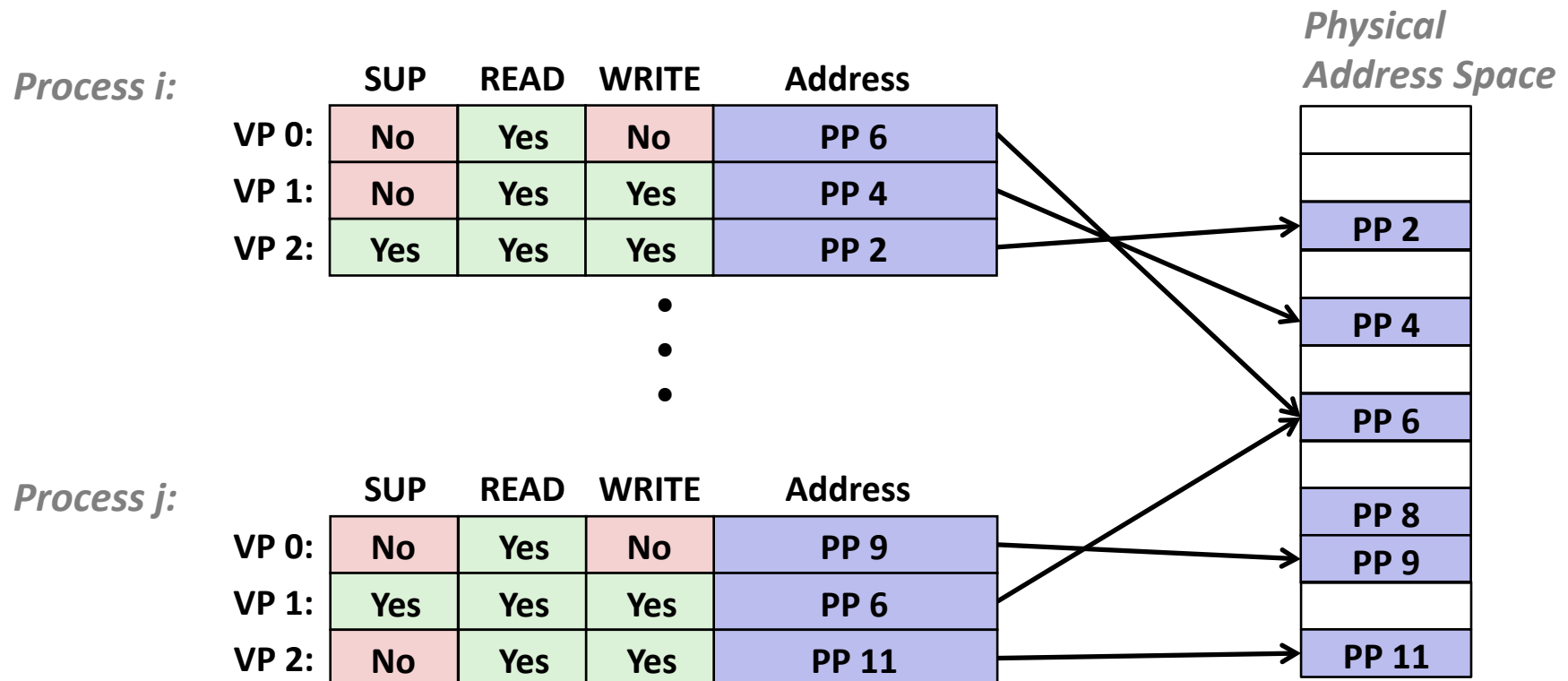


Today

- Address spaces
- VM as a tool for caching
- VM as a tool for memory management
- **VM as a tool for memory protection**
- Address translation

VM as a Tool for Memory Protection

- Extend PTEs with permission bits
- Page fault handler checks these before remapping
 - If violated, send process SIGSEGV (segmentation fault)



Today

- Address spaces
- VM as a tool for caching
- VM as a tool for memory management
- VM as a tool for memory protection
- **Address translation**

VM Address Translation

■ Virtual Address Space

- $V = \{0, 1, \dots, N-1\}$

■ Physical Address Space

- $P = \{0, 1, \dots, M-1\}$

■ Address Translation

- $MAP: V \rightarrow P \cup \{\emptyset\}$
- For virtual address α :
 - $MAP(\alpha) = \alpha'$ if data at virtual address α is at physical address α' in P
 - $MAP(\alpha) = \emptyset$ if data at virtual address α is not in physical memory
 - Either invalid or stored on disk

Summary of Address Translation Symbols

■ Basic Parameters

- $N = 2^n$: Number of addresses in virtual address space
- $M = 2^m$: Number of addresses in physical address space
- $P = 2^p$: Page size (bytes)

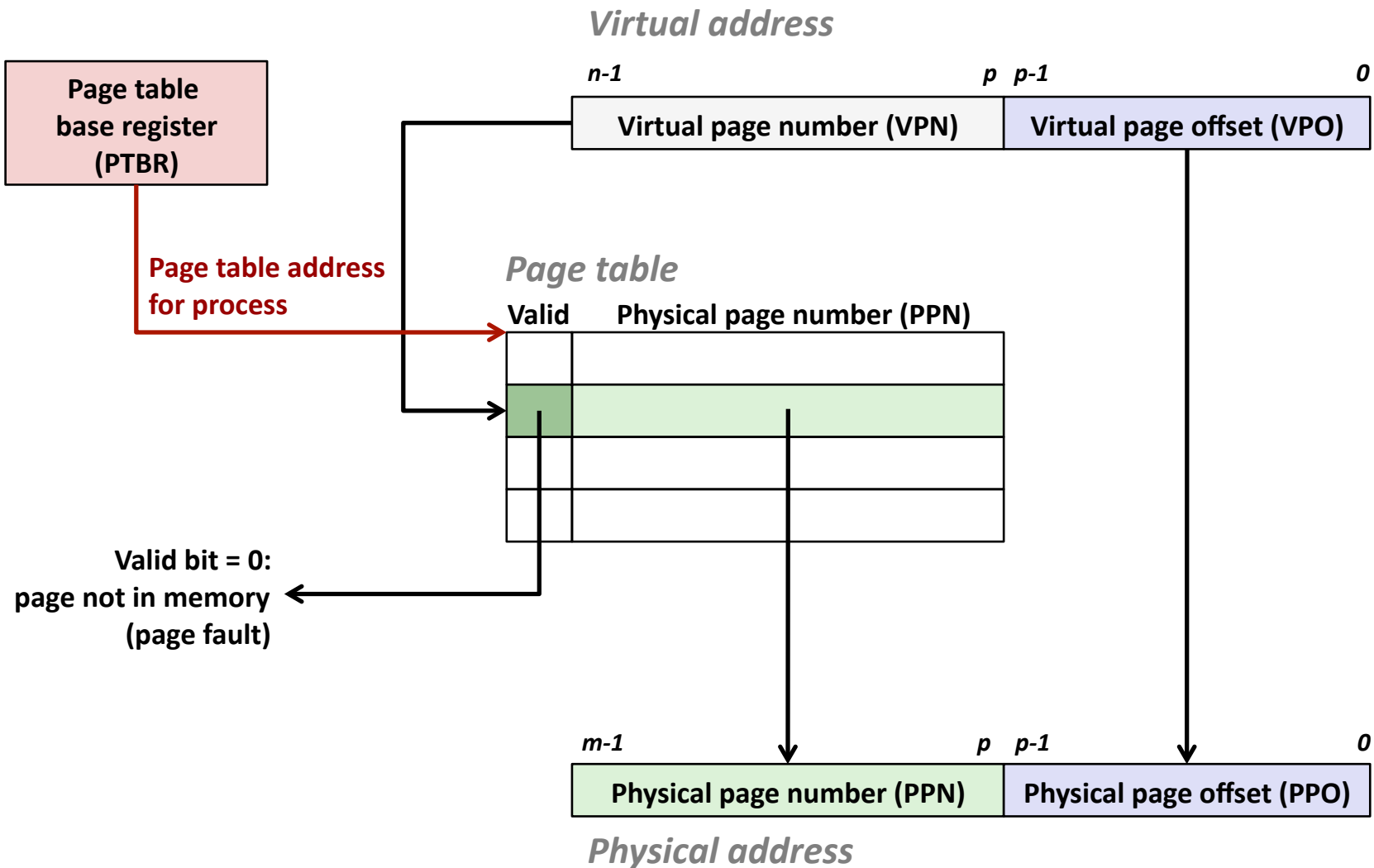
■ Components of the virtual address (VA)

- TLBI: TLB index
- TLBT: TLB tag
- VPO: Virtual page offset
- VPN: Virtual page number

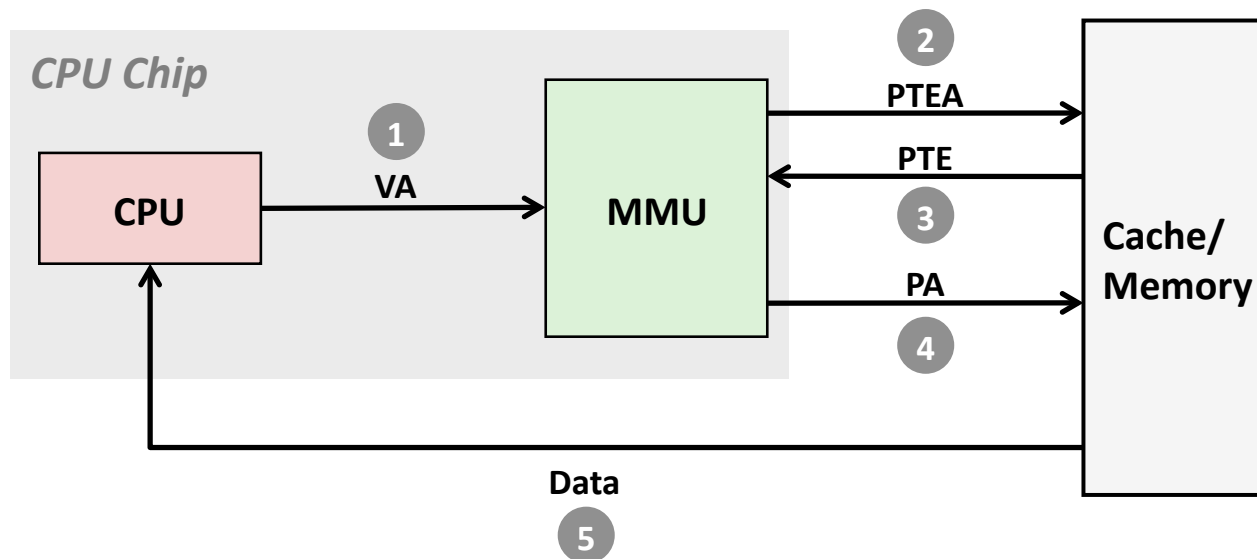
■ Components of the physical address (PA)

- PPO: Physical page offset (same as VPO)
- PPN: Physical page number
- CO: Byte offset within cache line
- CI: Cache index
- CT: Cache tag

Address Translation With a Page Table

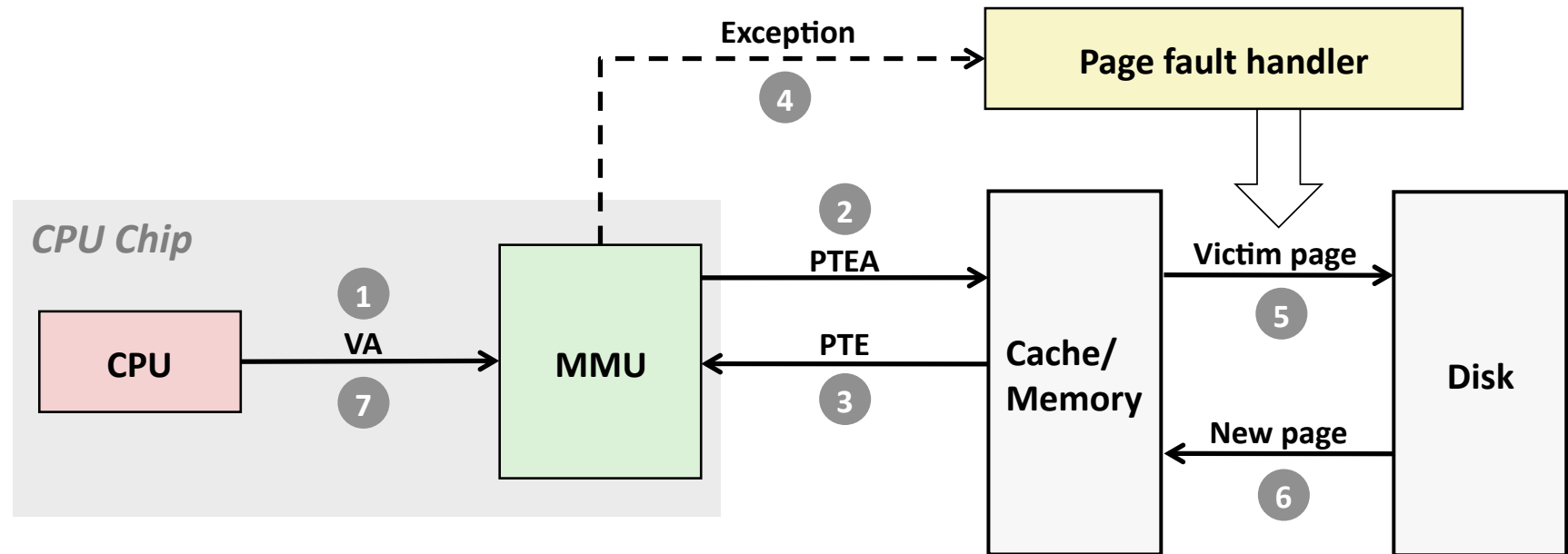


Address Translation: Page Hit



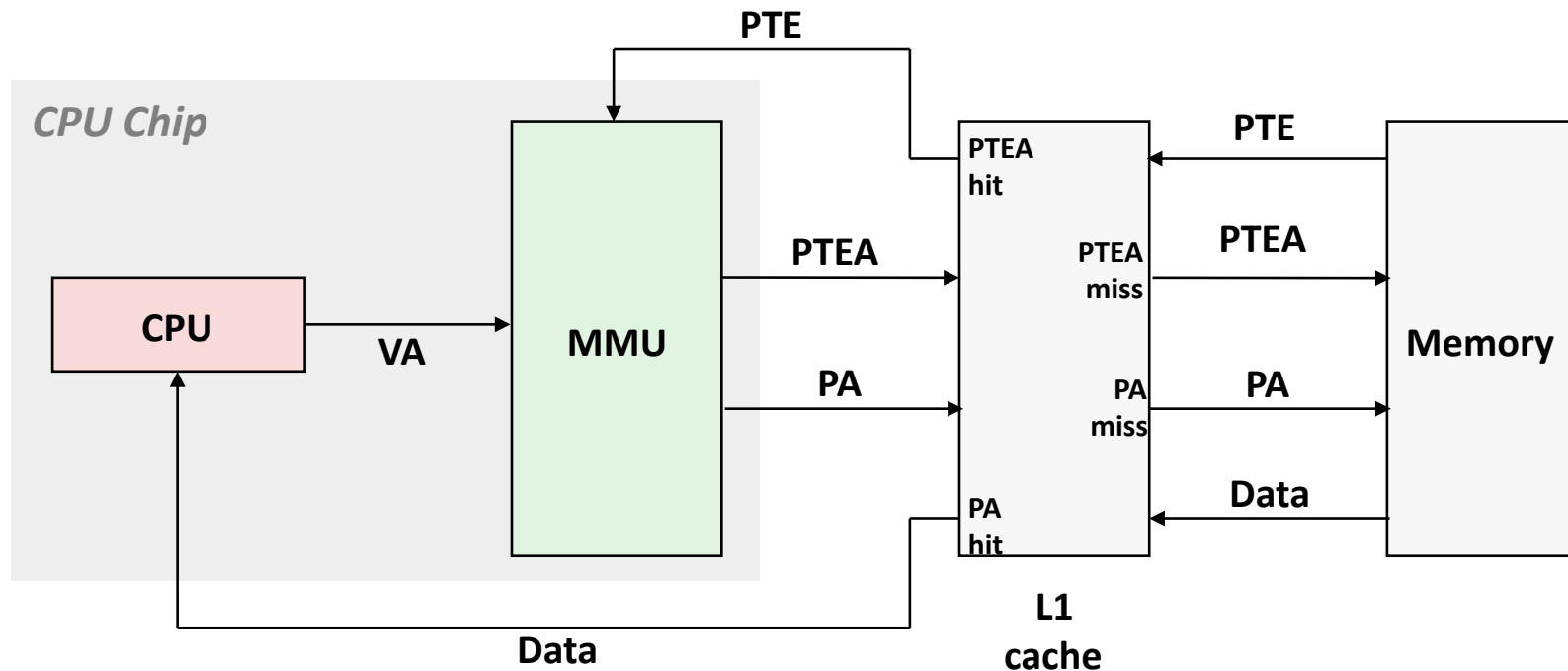
- 1) Processor sends virtual address to MMU
- 2-3) MMU fetches PTE from page table in memory
- 4) MMU sends physical address to cache/memory
- 5) Cache/memory sends data word to processor

Address Translation: Page Fault



- 1) Processor sends virtual address to MMU
- 2-3) MMU fetches PTE from page table in memory
- 4) Valid bit is zero, so MMU triggers page fault exception
- 5) Handler identifies victim (and, if dirty, pages it out to disk)
- 6) Handler pages in new page and updates PTE in memory
- 7) Handler returns to original process, restarting faulting instruction

Integrating VM and Cache

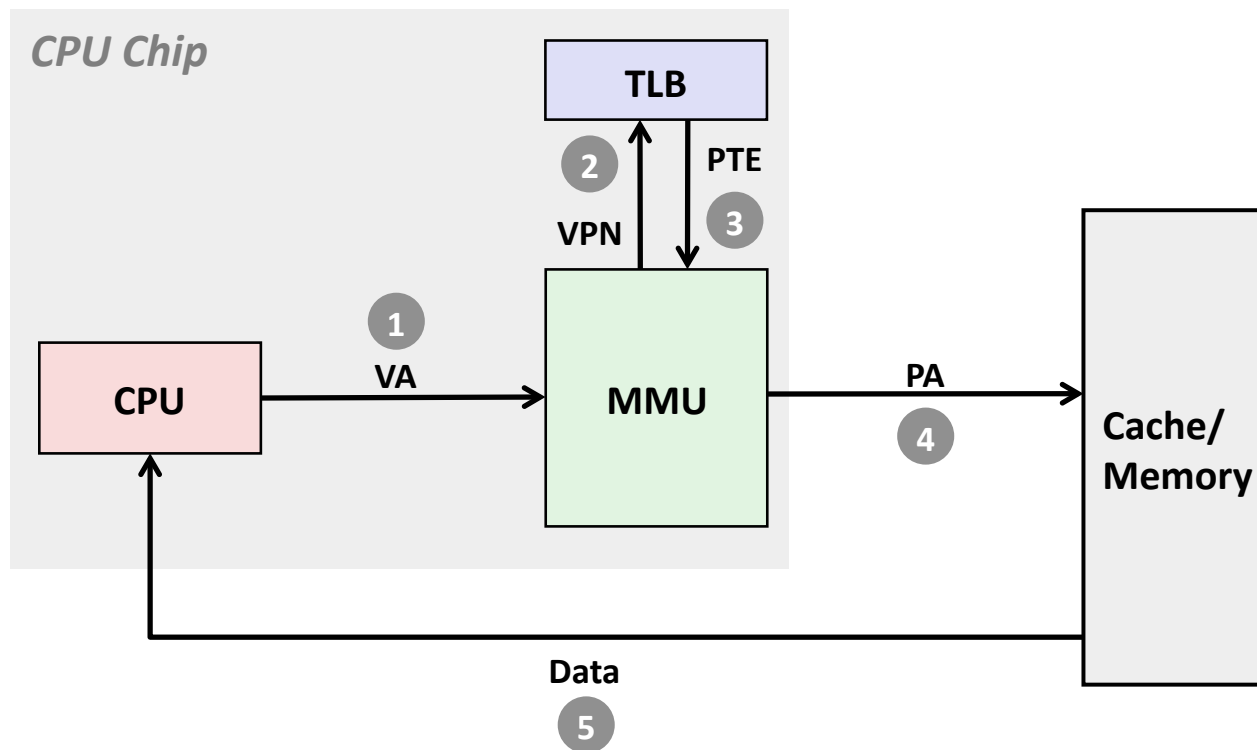


VA: virtual address, PA: physical address, PTE: page table entry, PTEA = PTE address

Speeding up Translation with a TLB

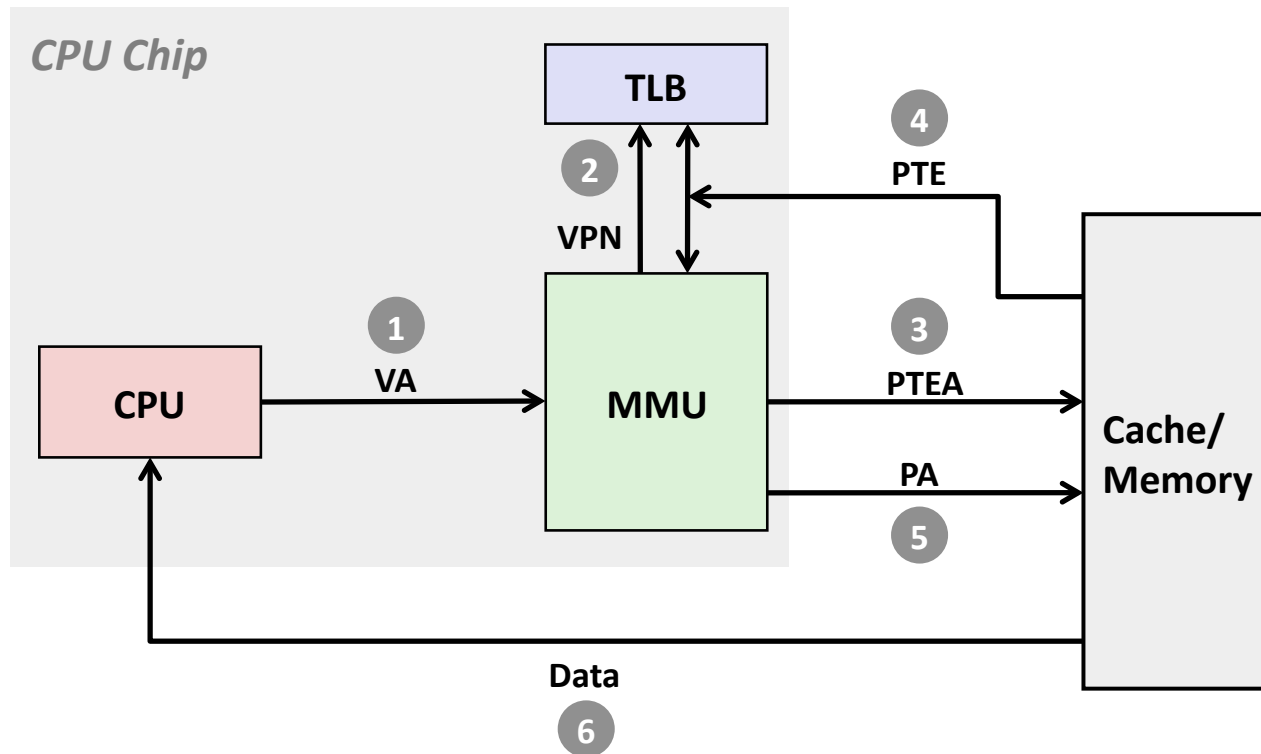
- **Page table entries (PTEs) are cached in L1 like any other memory word**
 - PTEs may be evicted by other data references
 - PTE hit still requires a small L1 delay
- **Solution: *Translation Lookaside Buffer* (TLB)**
 - Small hardware cache in MMU
 - Maps virtual page numbers to physical page numbers
 - Contains complete page table entries for small number of pages

TLB Hit



A TLB hit eliminates a memory access

TLB Miss



A TLB miss incurs an additional memory access (the PTE)

Fortunately, TLB misses are rare. Why?

Multi-Level Page Tables

■ Suppose:

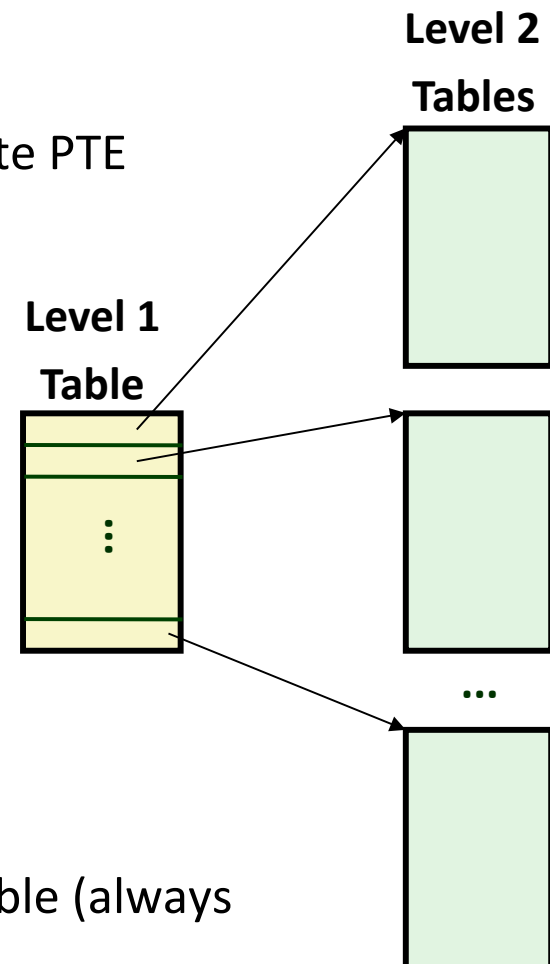
- 4KB (2^{12}) page size, 48-bit address space, 8-byte PTE

■ Problem:

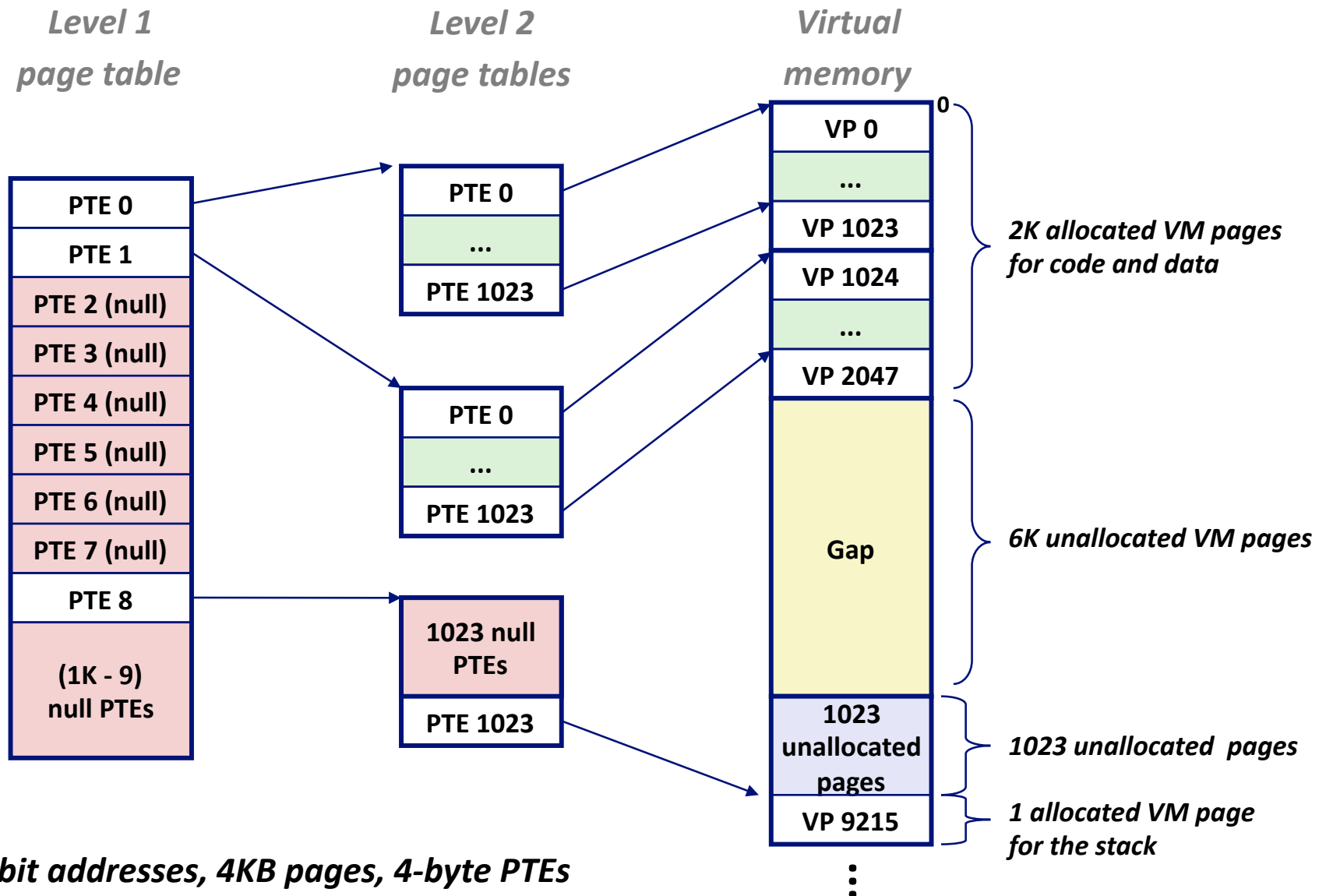
- Would need a 512 GB page table!
 - $2^{48} * 2^{-12} * 2^3 = 2^{39}$ bytes

■ Common solution:

- Multi-level page tables
- Example: 2-level page table
 - Level 1 table: each PTE points to a page table (always memory resident)
 - Level 2 table: each PTE points to a page (paged in and out like any other data)



A Two-Level Page Table Hierarchy



Summary

■ Programmer's view of virtual memory

- Each process has its own private linear address space
- Cannot be corrupted by other processes

■ System view of virtual memory

- Uses memory efficiently by caching virtual memory pages
 - Efficient only because of locality
- Simplifies memory management and programming
- Simplifies protection by providing a convenient interpositioning point to check permissions