

15-410

“...RADIX-50??...”

File System (Interface) Mar. 28, 2005

Dave Eckhardt

Bruce Maggs

Synchronization

Today

- Chapter 11, File system interface
 - Ok to skip: remote/distributed (11.5.2!!)

Also read Chapter 13

- Mght help demystify `readline()` some

Synchronization

Two interesting papers about disks

- http://www.seagate.com/content/docs/pdf/whitepaper/D2c_More_than_Interface_ATA_vs_SCSI_042003.pdf
- Google for “200 ways to revive a hard drive”

What's a file?

Abstraction of *persistent storage*

- Hide details of storage devices
 - sector addressing: CHS vs. LBA
 - SCSI vs. IDE
- Hide details of allocation/location on a storage device

Logical grouping of data

- May be *physically* scattered

Programs, data

Some internal structure

Typical file attributes

Name – 14? 8.3? 255?

- Unicode? ASCII? 6-bit? RADIX-50?

Identifier - “file number”

Type (or not)

Location – device, block list

Size – real or otherwise

Protection – Who can do what?

Time, date, last modifier – monitoring, curiosity

“Extended” file attributes

BSD Unix

- archived
- nodump
- append-only (by user/by operating system)
- immutable (by user/by operating system)

MacOS

- icon color

Plan 9

- Identity of most recent mutator

Operations on Files

Create – locate space, enter into directory

Write, Read – according to position pointer/cursor

Seek – adjust position pointer

Delete – remove from directory, release space

Truncate

- Trim data from end
- Often all of it

Append, Rename

Open-file State

Expensive to specify name for each read()/write()

- String-based operation
- Directory look-up

“Open-file” structure stores

- File-system / partition
- File-system-relative file number
- Read vs. write
- Cursor position

Open files (Unix Model)

In-core file state

- Mirror of on-disk structure
 - File number, size, permissions, modification time, ...
- Housekeeping info
 - Back pointer to enclosing file system
 - Pointer to disk device hosting the file
 - Who holds locks on ranges of file
- How to access file (vector of methods)
- Pointer to file's type-specific data

Shared when file is opened multiple times

Open files (Unix Model)

“Open file” state (result of one open() call)

- Access mode (read vs. write, auto-append, ...)
- Credentials of process (when it opened the file)
- Cursor position
- Pointer to underlying “open file”

Shared by multiple processes

- “copied” by fork()
- inherited across exec()

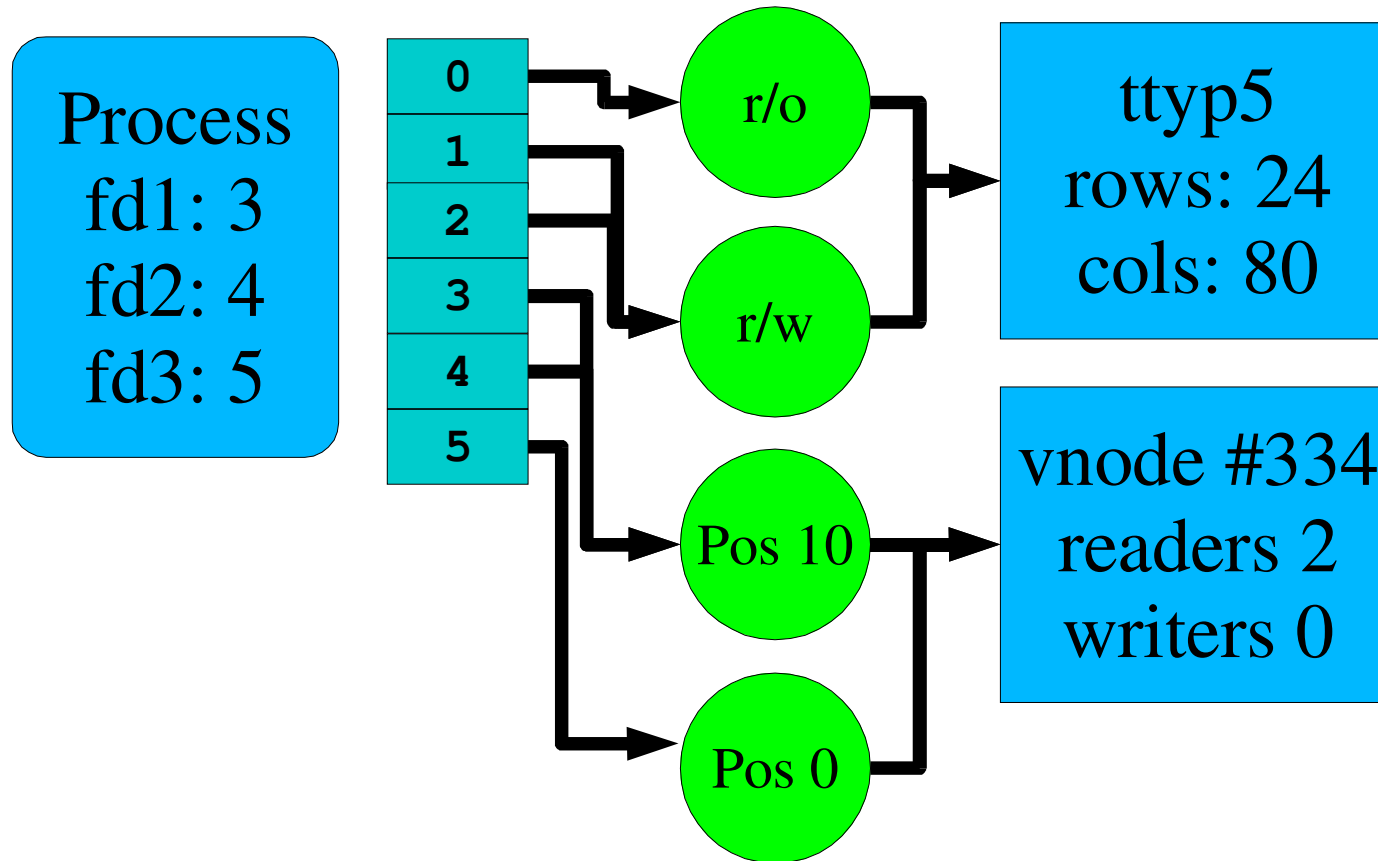
Example

```
int fd1, fd2, fd3;  
off_t pos2, pos3;  
char buf[10];
```

```
fd1 = open("foo.c", O_RDONLY, 0);  
fd2 = dup(fd1);  
fd3 = open("foo.c", O_RDONLY, 0);  
read(fd1, &buf, sizeof (buf));
```

```
pos2 = lseek(fd2, 0L, SEEK_CUR); /*10*/  
pos3 = lseek(fd3, 0L, SEEK_CUR); /*0*/
```

“Open File” vs. “In-Core File”



File types (or not)

Goal

- Avoid printing a binary executable file
- Find program which “understands” a file selected by user

Derive “type” from file names

- *.exe are executable, *.c are C

Tag file with type information

- MacOS: 4-byte *type*, 4-byte *creator*

Unix: Both/neither – Leave it (mostly) up to users

File Structure

What's *in* a file?

- Stream of bytes?
 - What character set? US-ASCII? Roman-1? Unicode?
- Stream of records?
- *Array* of records? *Tree* of records?

Record structure?

- End of “line”
 - CR, LF, CR+LF
- Fixed-length? Varying? Bounded?

File Structure - Unix

Program loader *needs to know* about executables

- “Magic numbers” in first two bytes
 - obsolete A.OUT types - OMAGIC, NMAGIC, ZMAGIC
 - ELF
 - #! - script

Otherwise, *array of bytes*

- User/application remembers meaning (hopefully!)

For a good time...

- Try the “file” command
- Read /usr/share/magic
 - Marvel at the dedication of the masses

File Structure – MacOS

Data fork

- Array of bytes
- Application-dependent structure

Resource fork

- Table of resources
 - Icon, Menu, Window, Dialog box
- Many resources are widely used & understood
 - Desktop program displays icons from resource fork

Access Methods

Provided by OS or optional program library

Sequential

- Like a tape
- read() next, write() next, rewind()
- Sometimes: skip forward/backward

Direct/relative

- Array of fixed-size records
- Read/write any record, by #

Access Methods – Indexed

File contains *records*

Records contain *keys*

Index maps keys \Rightarrow records

- Sort data portion by key
- Binary search in multi-level list

Fancy extensions

- Multiple keys, multiple indices
- Are we having a database yet?
 - Missing: relations, triggers, consistency, transactions, ...
- Unix equivalent: dbm/ndbm/gdbm/bdb/...

Directory Operations

Lookup("index.html")

Create("index.html")

Delete("index.html")

Rename("index.html", "index.html~");

Iterate over directory contents

Scan file system

- **Unix "find" command**
- **Backup program**

Directory Types

Single-level

- Flat global namespace – only *one* test.c
- Ok for floppy disks (maybe)

Two-level

- Every user has a directory
- One test.c *per user*
 - [1003,221]PROFILE.CMD vs. [1207,438]PROFILE.CMD
- Typical of early timesharing

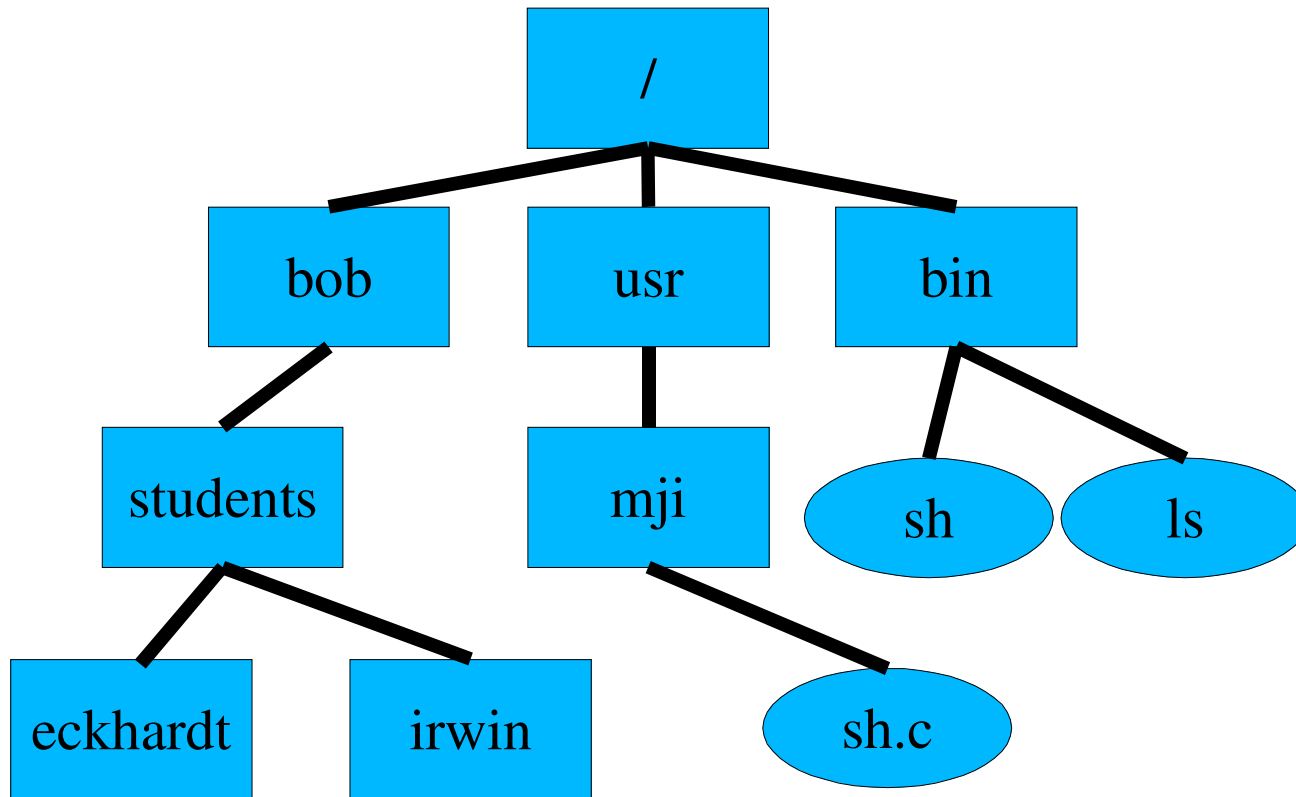
Are we having fun yet?

Tree Directories

Absolute Pathname

- Sequence of directory names
- Starting from “root”
- Ending with a file name

Tree Directories



Tree Directories

Directories are special files

- Created with special system calls – mkdir()
- Format understood, maintained by OS

Current directory (“.”)

- “Where I am now”
- Start of *relative* pathname
 - `./stuff/foo.c` aka `stuff/foo.c`
 - `../joe/foo.c` aka `/usr/joe/foo.c`
- Directory reference in, e.g., `p->p_fd->fd_cdir`

DAG Directories

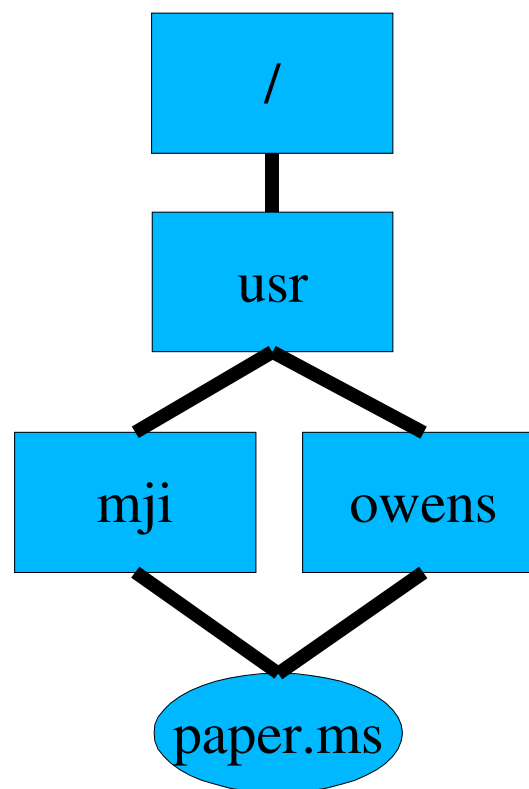
Share files and directories
between users

Not mine, not yours: *ours*

Destroy when *everybody*
deletes

Unix “hard link”

- Files, not directories
 - (“.. problem”)



Soft links

Hard links “too hard”?

- Need a level of indirection in file system?
- No “one true name” for a file
- NIH syndrome?

Alternative: soft link / symbolic link / “short cut”

- Tiny file, special type
- Contains *name* of another file
- OS dereferences link when you open() it

Hard vs. Soft Links

Hard links

- Enable reference-counted sharing
- No name is “better” than another

Soft links

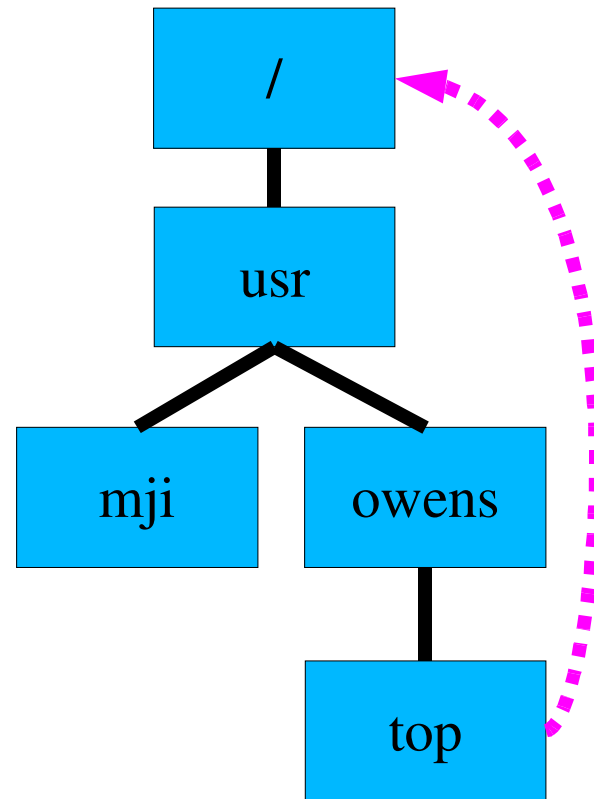
- Can soft-link a directory
 - one “true” parent, so no “.. problem”
- Work across file system & machine boundaries
- Easier to explain
- “Dangling link” problem
 - Owner of “one true file” can delete it
 - Soft links now point to nothing

Graph Directories

Depth-first traversal can be slow!

May need *real* garbage collection

Do we really need this?



Mounting

Multiple disks on machine

Multiple partitions on disk

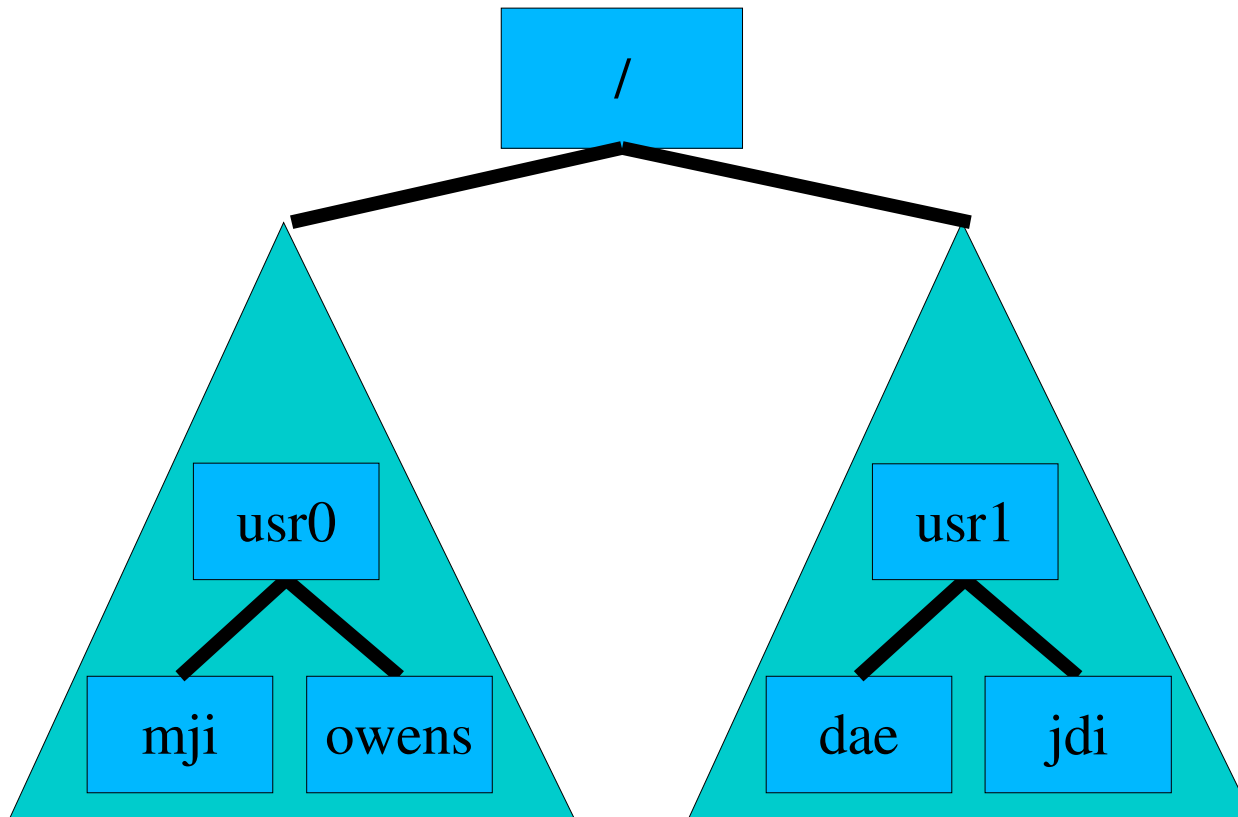
File system *within* a partition

- Or, within a volume / logical volume / ...

How to name files in “another” file system?

- Wrong way
 - C:\temp vs. D:\temp
 - [1003,221]PROFILE.CMD vs. [1207,438]PROFILE.CMD

Mounting



Multiple Users

Users want to share files

What's a user?

- Strings can be cumbersome
- Integers are nicer for OS to compare
- Unix: User ID / “uid”
- Windows: Security ID / “SID”

What's a group?

- A set of users
- Typically has its own gid / SID

Protection

Override bit (e.g., MS-DOG)

- Bit says “don't delete this file”
 - Unless I clear the bit

Per-file passwords

- Annoying in a hurry

Per-directory passwords

- Still annoying

Protection

Access modes

- Read, Write, Execute, Append, Delete, List, Lock, ...

Access Control List (ACL)

- File stores list of (user, modes) tuples
- Cumbersome to store, view, manage

Capability system

- User is given a list of (file, access keys) tuples
- Revocation problem

Protection – typical

File specifies *owner, group*

- Permissions for owner, permissions for group members
 - Read, write, ...
- Permissions for “other” / “world”
 - Read, write, ...

Unix

- r, w, x = 4, 2, 1
- rwxr-x—x = 0751 (octal)
- V7 Unix: 3 16-bit words specified all permission info
 - permission bits, user #, group #
 - » Andrew's /etc/passwd has 39,941 users...

Summary

File

- **Abstraction of disk/tape storage**
 - Records, not sectors
 - Type information
- **Naming**
 - Complexity due to linking
- **Ownership, permissions**
- **Semantics of multiple open()s**

Extra details in 20.7, 20.8