

15-410

“Luckily the stack is a simple data structure.”

The Process Sep. 9, 2013

Dave Eckhardt

Todd Mowry

Synchronization

P2/P3/P4 partners

- You should be partnered soon...
- If you already know who your partner is, *please register now*
 - It makes it easier for others to partner
 - It will stem the tide of annoying reminder e-mail
 - » **BOTH PARTNERS** must register to avoid spam
- ~10 people got registration spam from me this morning

Synchronization

Reminders on collaboration

- Project 1 will be *individual*
- Talking about code is ok
- Possessing the code of another is *not ok*
- Different classes have different policies
- We expect you to read and follow the policies of *this* class
 - (As found in the syllabus, which you are required to read)
 - If something is unclear, please mail us

Synchronization

Anybody reading comp.risks?

This lecture

- **OSC: Chapter 3, but not exactly!**
 - **We are skipping 3.5 and 3.6, including the terrifying “POSIX Shared Memory”**
- **OS:P+P: Sections 3.1-3.3, but not exactly**

Outline

Process as pseudo-machine

- (that's *all* there is)

Process life cycle

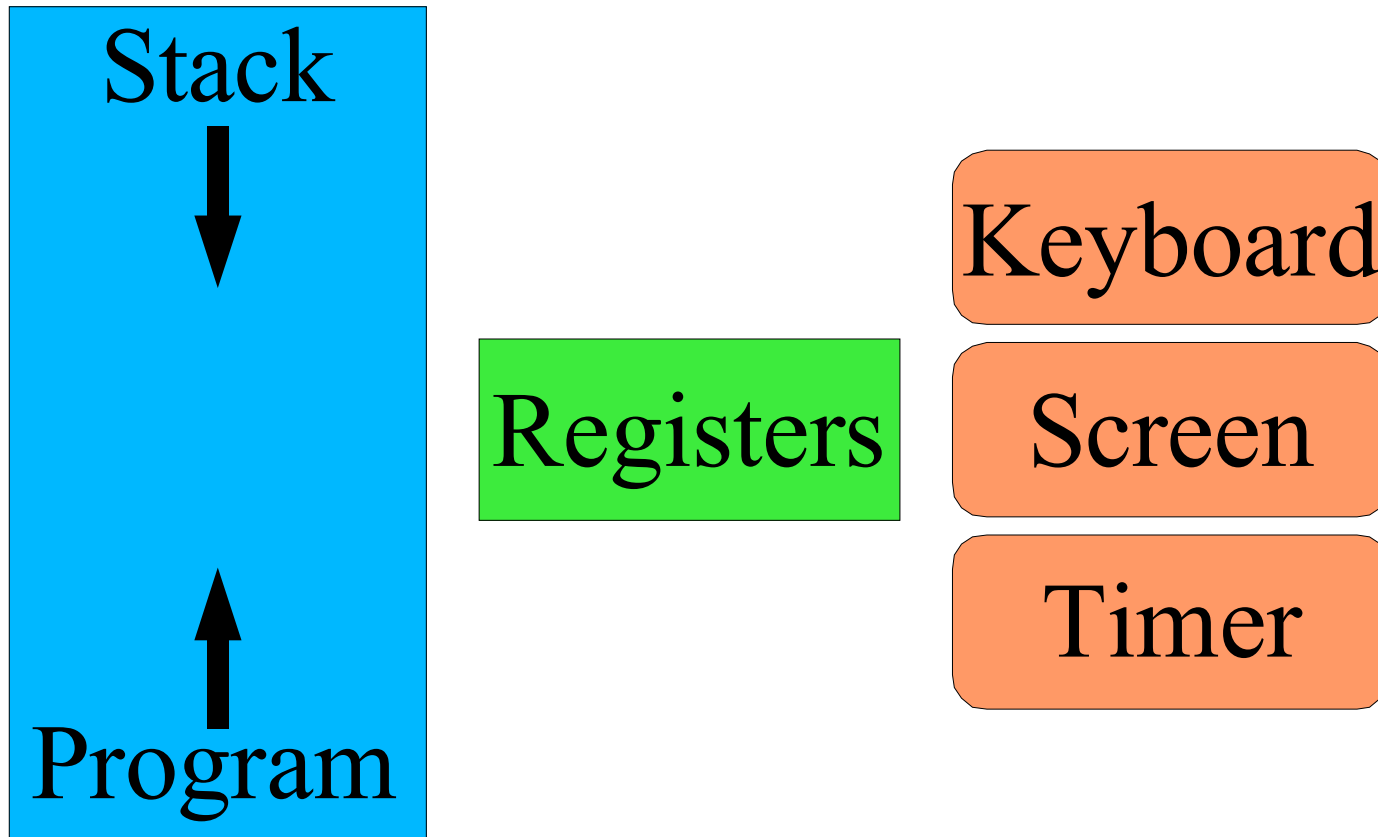
Process kernel states

Process kernel state

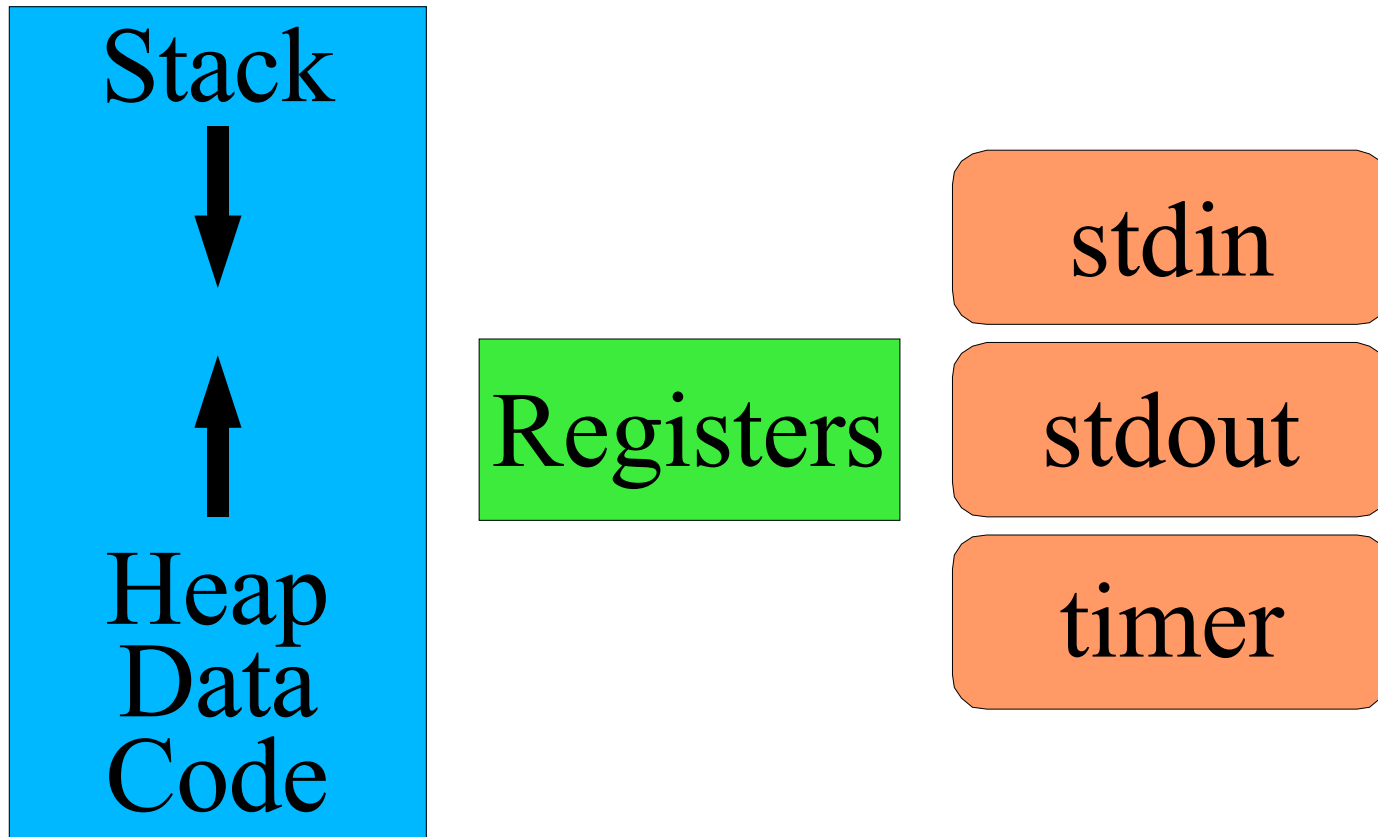
P1/P3 memory layout

- (just a teaser for now)

The Computer



The Process



Process life cycle

Life cycle

- Birth
 - (or, well, fission)
- School
- Work
- Death

Nomenclature

- courtesy of The Godfathers [1988]

Birth

Where do new processes come from?

- (Not: under a cabbage leaf, by stork, ...)

What do we need?

- Memory contents
 - Text, data, stack
- CPU register contents (N of them)
- “I/O ports”
 - File descriptors, e.g., stdin/stdout/stderr
- Hidden “stuff”
 - timer state, current directory, umask

Birth

Intimidating?

How to specify all of that stuff?

- What is your {name,quest,favorite_color}?

Gee, we already have *one* process we like...

- Maybe we could use its settings to make a new one...
- Birth via “cloning”

Birth – fork() - 1

“fork” - Original Unix process creation system call

Memory

- Copy all of it
- Later lecture: VM tricks may make copy cheaper

Registers

- Copy all of them
 - All but one: parent learns child's process ID, child gets 0

Birth – fork() - 2

File descriptors

- Copy all of them
- Can't copy the *files!*
- Copy *references* to open-file state

Hidden stuff

- Do whatever is "obvious"

Result

- Original, “parent”, process
- Fully-specified “child” process – despite 0 parameters to fork()

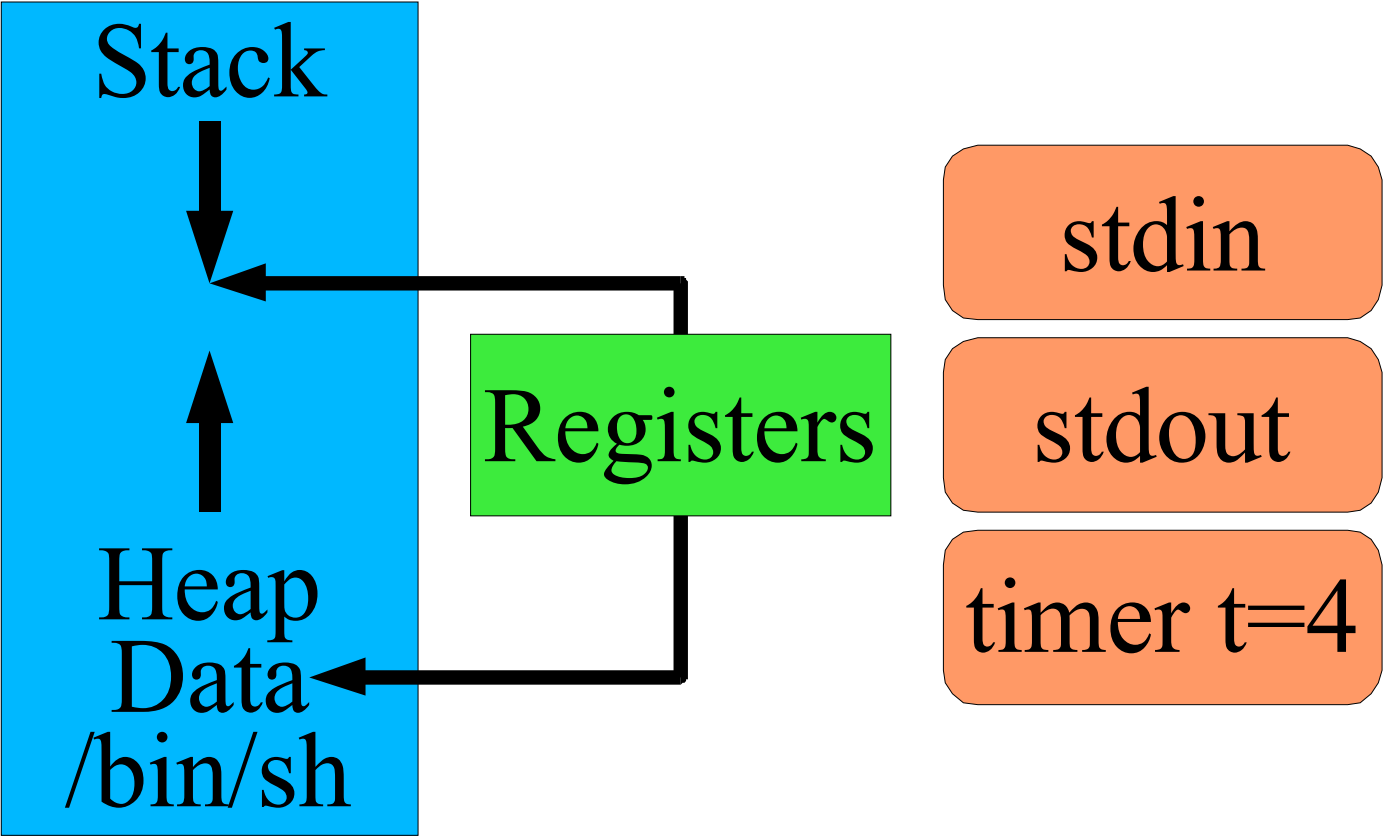
Now what?

Two copies of the same process is *boring*

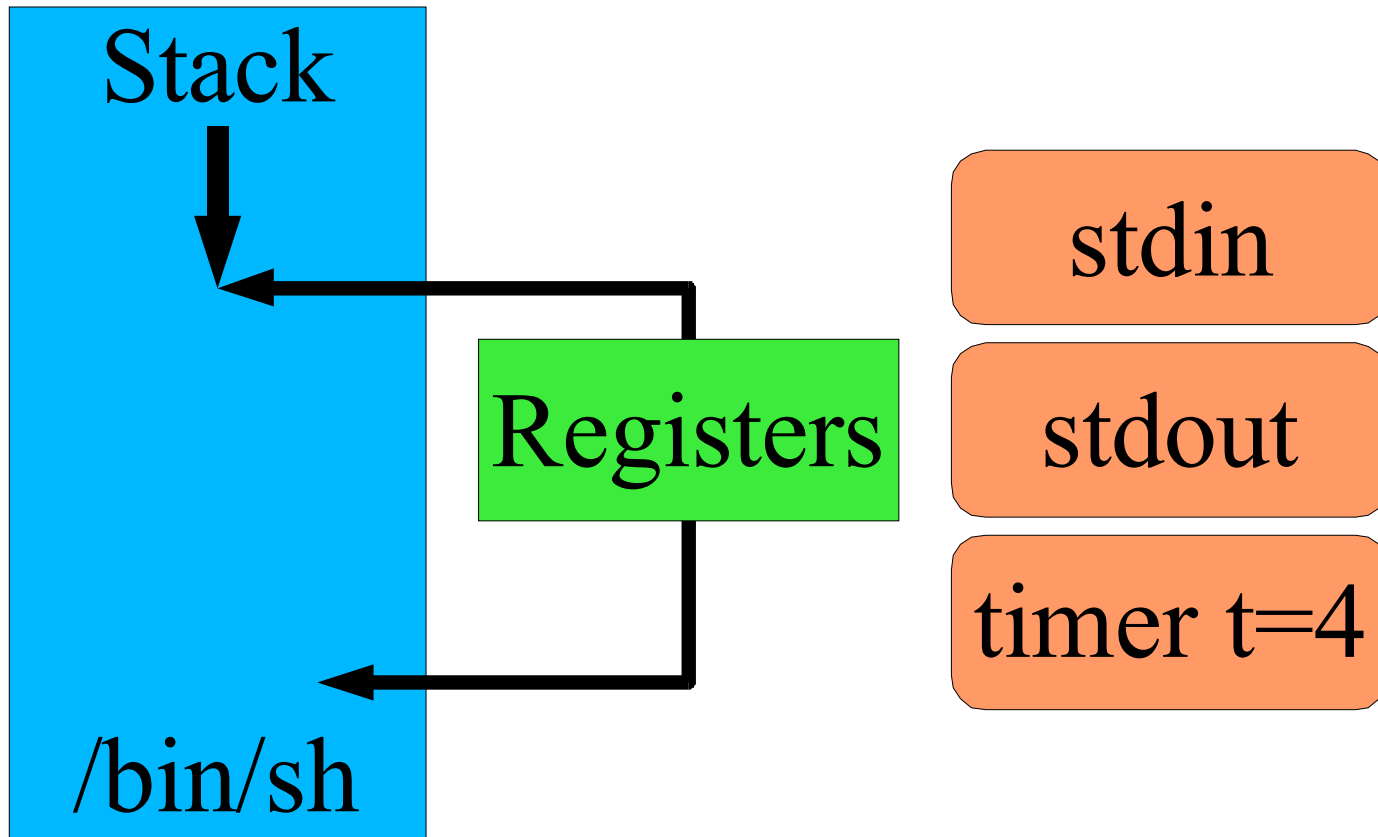
Transplant surgery!

- **Implant new memory!**
 - **New program text**
- **Implant new registers!**
 - **Old ones don't point well into the new memory**
- **Keep (most) file descriptors**
 - **Good for cooperation/delegation**
- **Hidden state?**
 - **Do what's “obvious”**

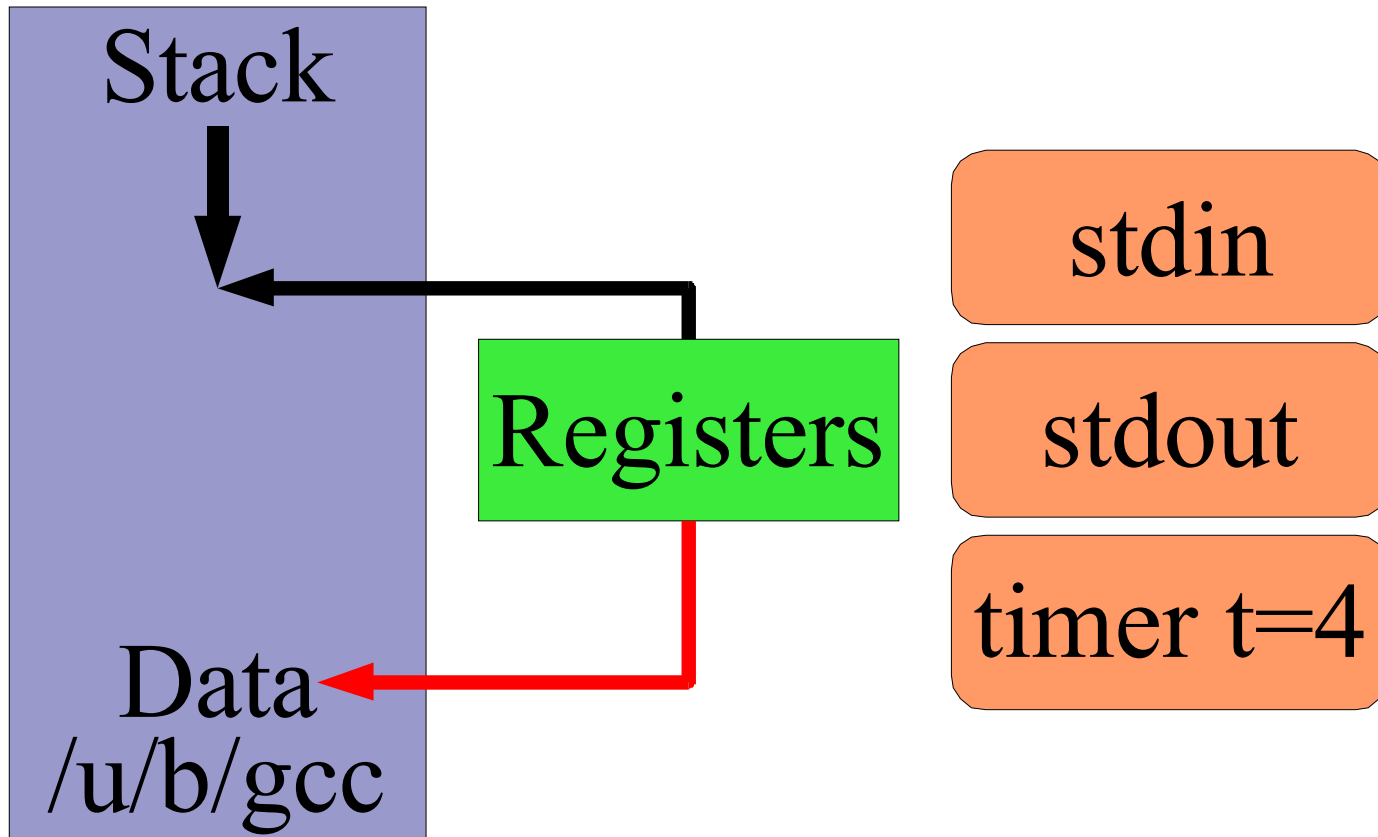
Original Process



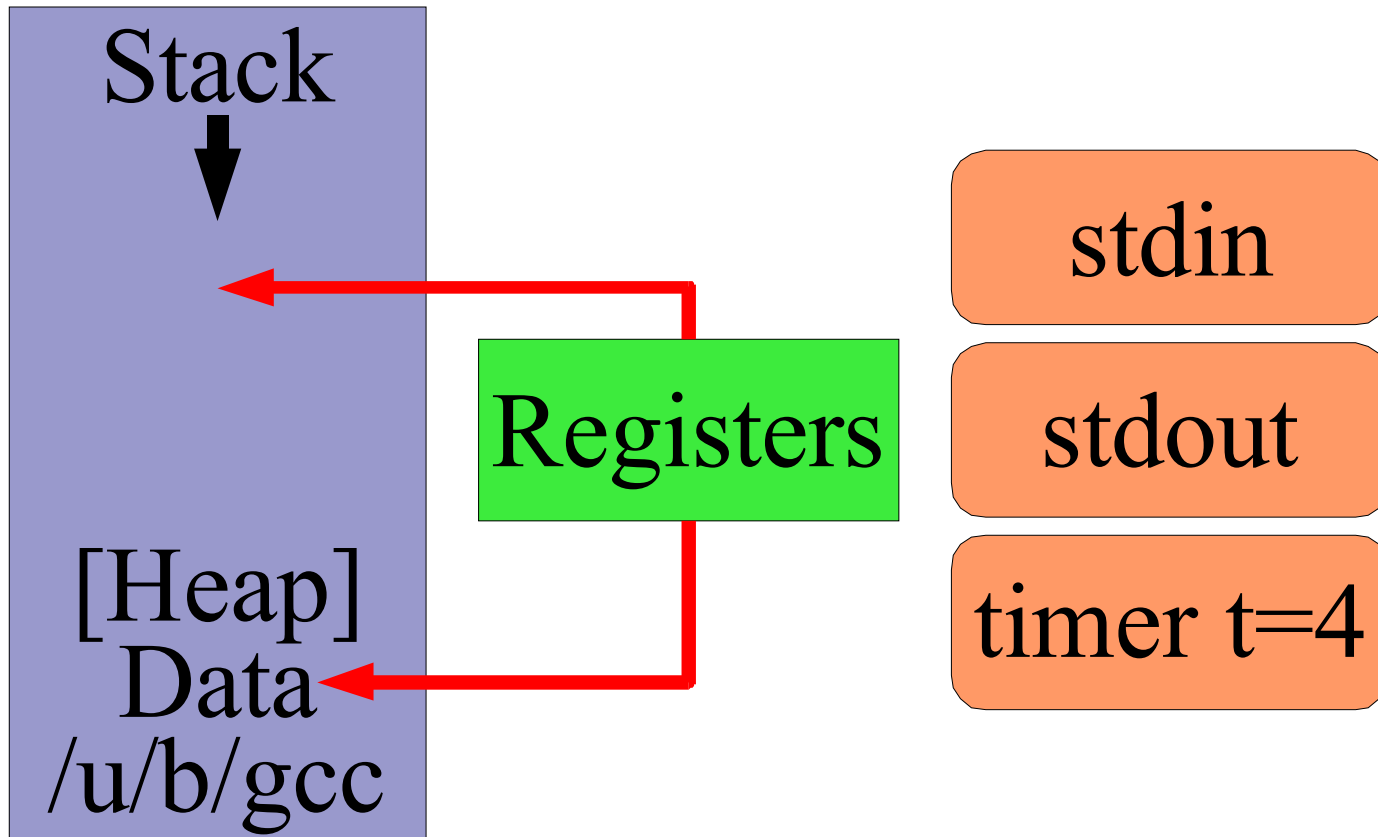
Toss Heap, Data



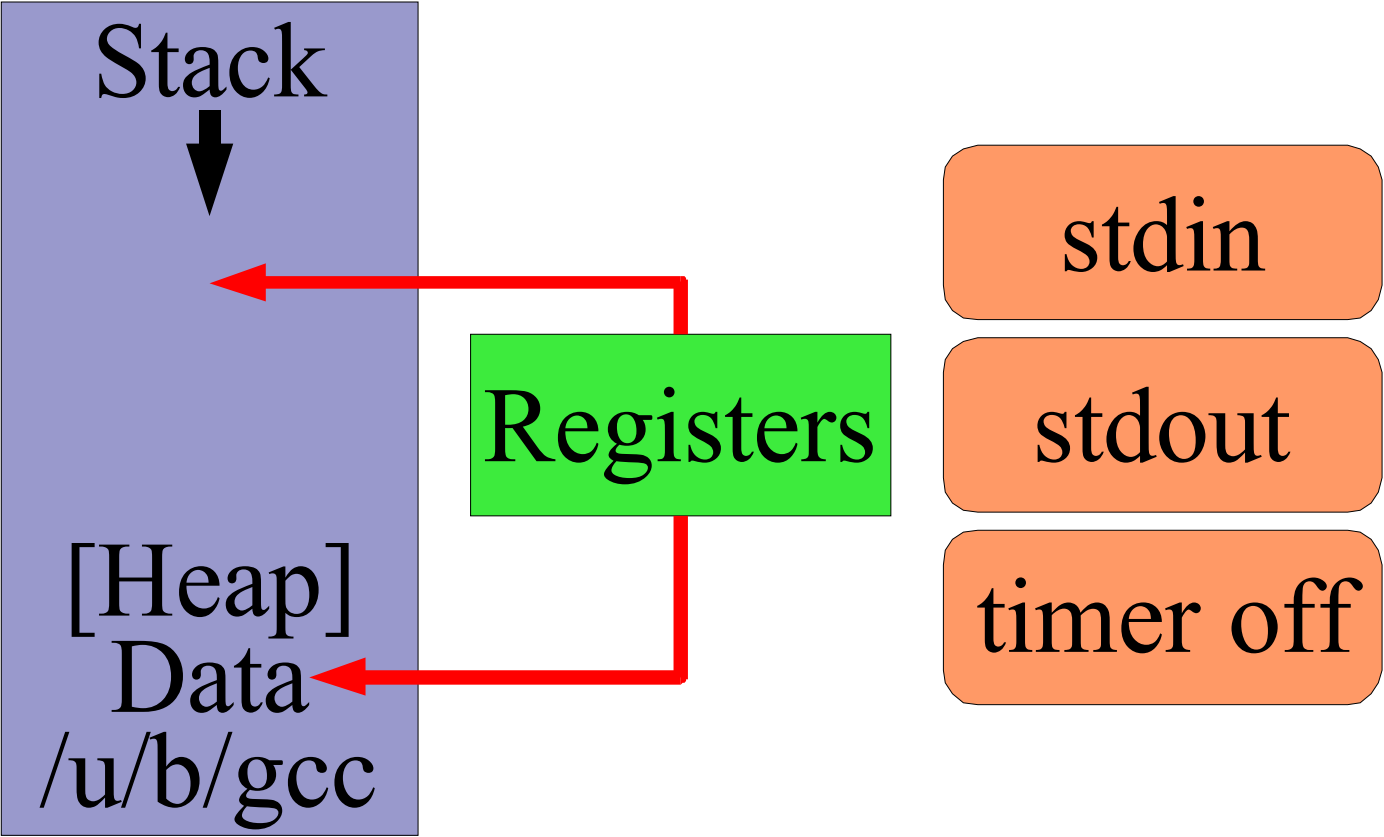
Load New Code, Data From File



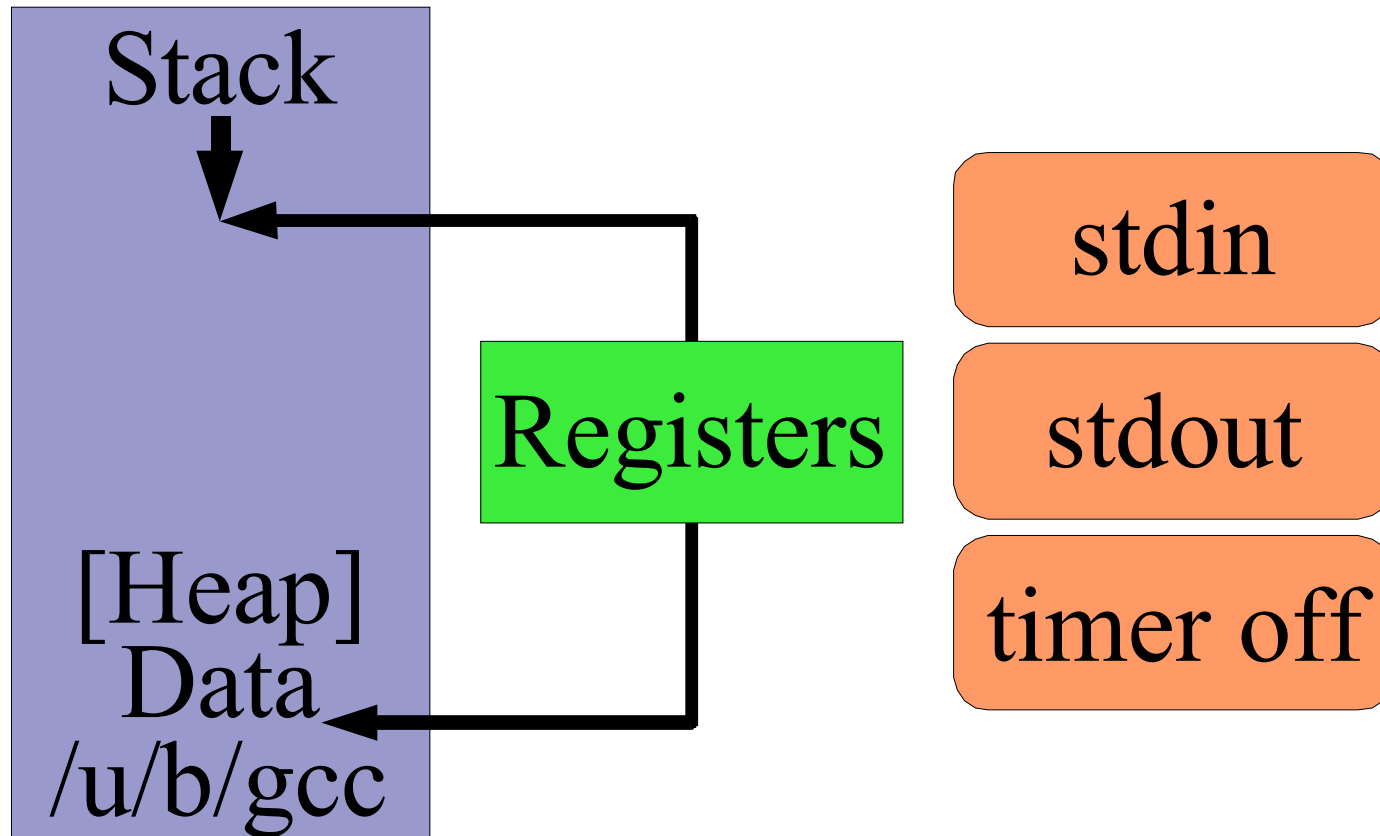
Reset Stack, Heap



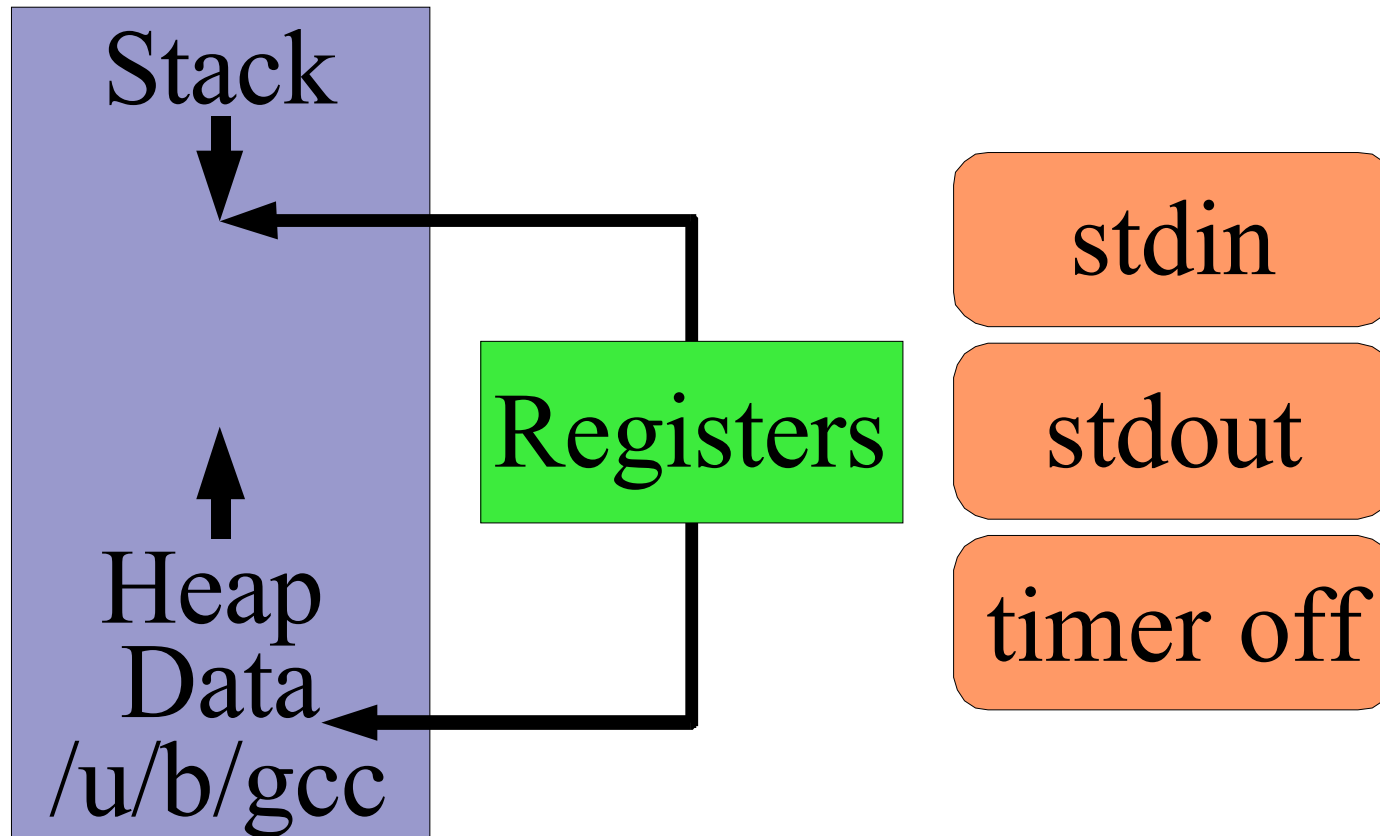
Fix “Stuff”



Initialize Registers



Begin Execution



What's The Implant Procedure Called?

```
int execve(  
    char *path,  
    char *argv[ ],  
    char *envp[ ] )
```

Birth - other ways

There is another way

- Well, two

spawn()

- Carefully specify all features of new process
 - Complicated
- Win: don't need to copy stuff you will immediately toss

Plan 9 rfork() / Linux clone()

- Build new process from old one
- Specify which things get shared vs. copied
 - “Copy memory, share files, copy environment, share ...”

School

Old process called

```
execve(  
    char *path,  
    char *argv[ ],  
    char *envp[ ] );
```

Result is

```
main(int argc,  
      char *argv[ ],  
      char *envp[ ] )  
{  
    ...  
}
```

School

How does the magic work?

- *15-410 motto: No magic*

Kernel process setup: we saw...

- Toss old data memory
- Toss old stack memory
- Load executable file

Also...

The Stack!

Kernel builds stack for new process

- Transfers argv[] and envp[] to top of new process stack
- Hand-crafts stack frame for __main()
- Sets registers
 - Stack pointer (to top frame)
 - Program counter (to start of __main())

Work

Process states

- **Running**
 - User mode or kernel mode
- **Blocked**
 - **Awaiting some event**
 - » I/O completion, exit of another process, message, ...
 - » Maybe sleeping for a fixed period of time
 - **Scheduler: “do not run”**
 - **Q: User mode, kernel mode, both, neither?**
- **Runnable**
 - **Q: User mode, kernel mode, both, neither?**
 - » **Be sure to understand this**

Work

Other process states

- **Forking**
 - **Obsolete, once used for special treatment**
- **Zombie**
 - **Process has called `exit()`, parent hasn't noticed yet**

“Exercise for the reader”

- **Draw the state transition diagram**

Death

Voluntary

```
void exit(int reason);
```

Hardware exception

- SIGSEGV - no memory there for you!

Software exception

- SIGXCPU – used "too much" CPU time

Death

System call - `kill(pid, sig);`

- “Deliver `sig` to process `pid`”
 - (negative values of `pid` have “interesting” behaviors)
- Keyboard `^C` \Rightarrow equivalent of
 - `kill(getpid(), SIGINT);`
- Start/stop logging
 - `kill(daemon_pid, SIGUSR1);`
 - `% kill -USR1 33`
 - `% kill -USR2 33`
 - This is a “non-kill” use of `kill()`
- Any other key uses of `kill()`?

Death

System call - `kill(pid, sig);`

- “Deliver `sig` to process `pid`”
 - (negative values of `pid` have “interesting” behaviors)
- Keyboard `^C` \Rightarrow `kill(getpid(), SIGINT);`
- Start/stop logging - `kill -USR1 33`
- “Lost in Space”!!
 - `kill(Will_Robinson, SIGDANGER);`

Death

System call - `kill(pid, sig);`

- “Deliver `sig` to process `pid`”
 - (negative values of `pid` have “interesting” behaviors)
- Keyboard `^C` \Rightarrow `kill(getpid(), SIGINT);`
- Start/stop logging - `kill -USR1 33`
- “Lost in Space”!!
 - `kill(Will_Robinson, SIGDANGER);`
 - I apologize to IBM for lampooning their serious signal

Death

System call - `kill(pid, sig);`

- “Deliver `sig` to process `pid`”
 - (negative values of `pid` have “interesting” behaviors)
- Keyboard `^C` \Rightarrow `kill(getpid(), SIGINT);`
- Start/stop logging - `kill -USR1 33`
- “Lost in Space”!!
 - `kill(Will_Robinson, SIGDANGER);`
 - I apologize to IBM for lampooning their serious signal
 - » No, I apologize for that apology...

Process cleanup

Resource release

- Open files: close() each
 - TCP: 2 minutes (or more)
 - Solaris disk offline - forever (“*None* shall pass!”)
- Memory: release

Accounting

- Record resource usage in a magic file

Gone?

“All You Zombies...”

Zombie process

- Process state reduced to exit code
- Waits around until parent calls wait()
 - Exit code copied to parent's memory
 - PCB deleted from kernel

Kernel process state

The dreaded "PCB"

- (polychlorinated biphenol?)

Kernel process state

The dreaded "PCB"

- (polychlorinated biphenol?)

Process Control Block

- “Everything without a user-visible memory address”
 - Kernel management information
 - Scheduler state
 - The “stuff”

Sample PCB contents

Pointer to CPU register save area

Process number, parent process number

Countdown timer value

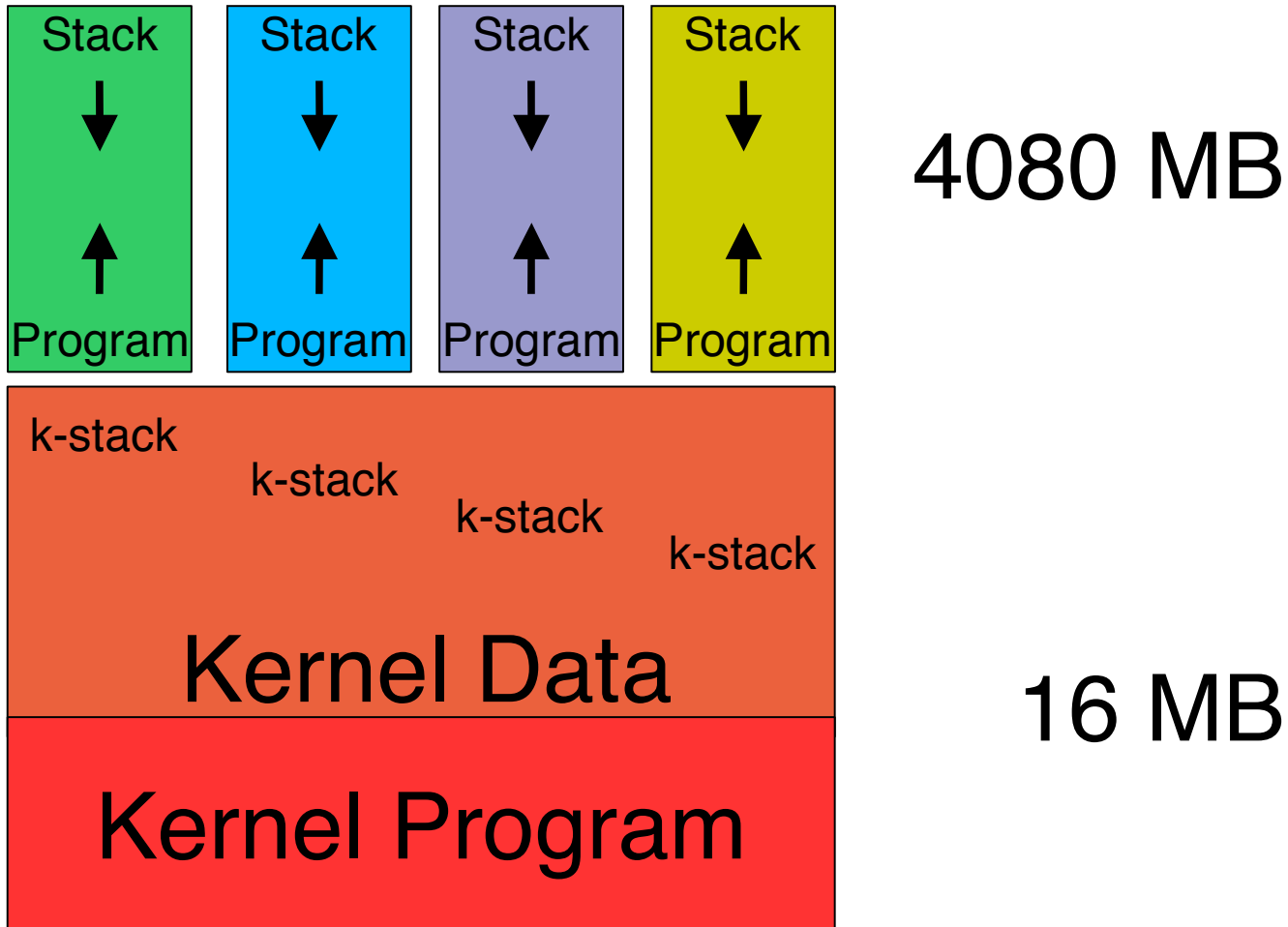
Memory segment info

- User memory segment list
- Kernel stack reference

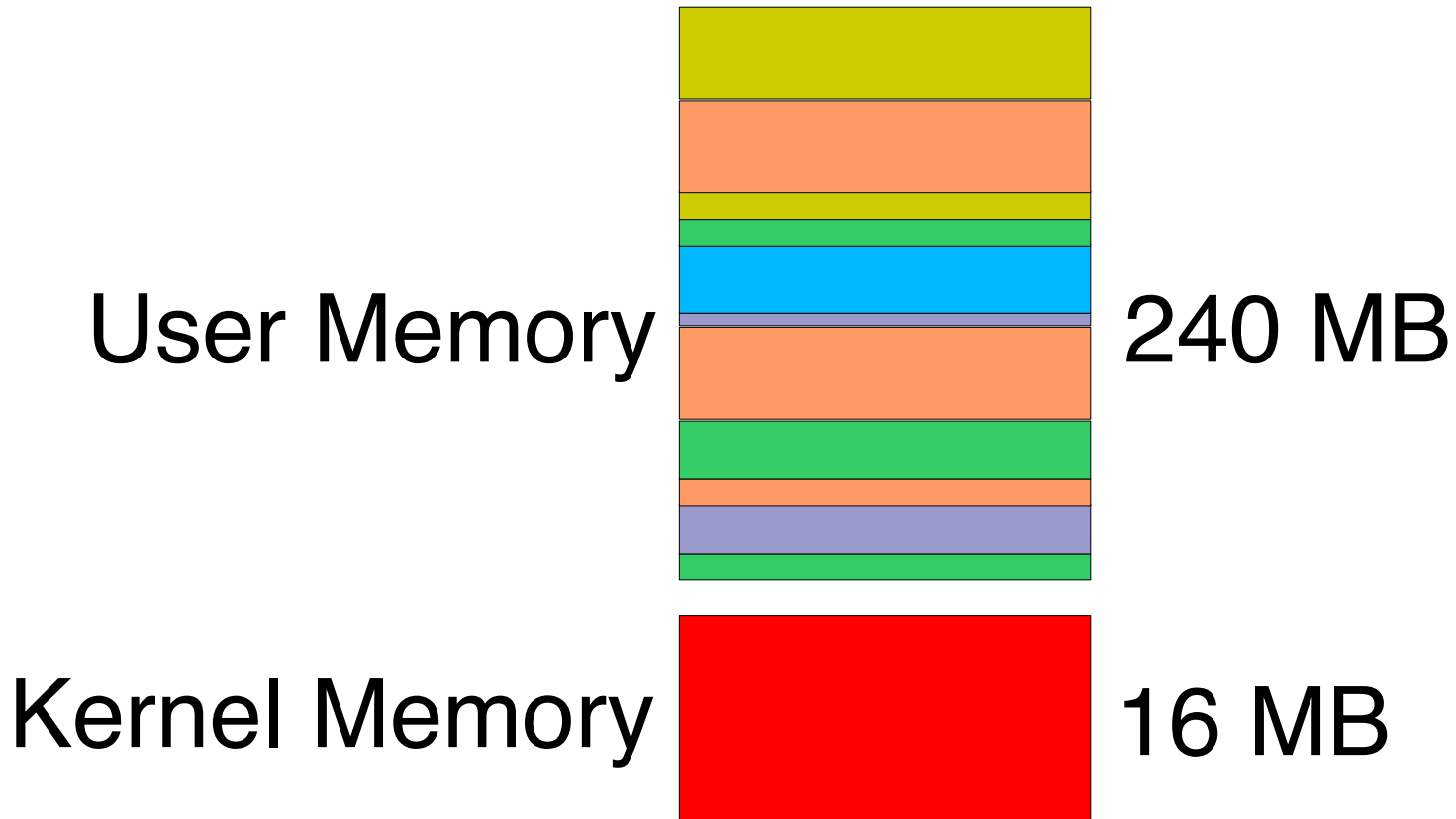
Scheduler info

- linked list slot, priority, “sleep channel”

15-410 Virtual Memory Layout



15-410 Physical Memory Layout



Ready to Implement All This?

Not so complicated...

- `getpid()`
- `fork()`
- `exec()`
- `wait()`
- `exit()`

What could possibly go wrong?

Summary

Parts of a Process

- Physical – Memory pages, registers, I/O devices
- Virtual – Memory regions, registers, I/O “ports”

Birth, School, Work, Death

“Big Picture” of system memory – both of them

- (Numbers & arrangement are 15-410–specific)